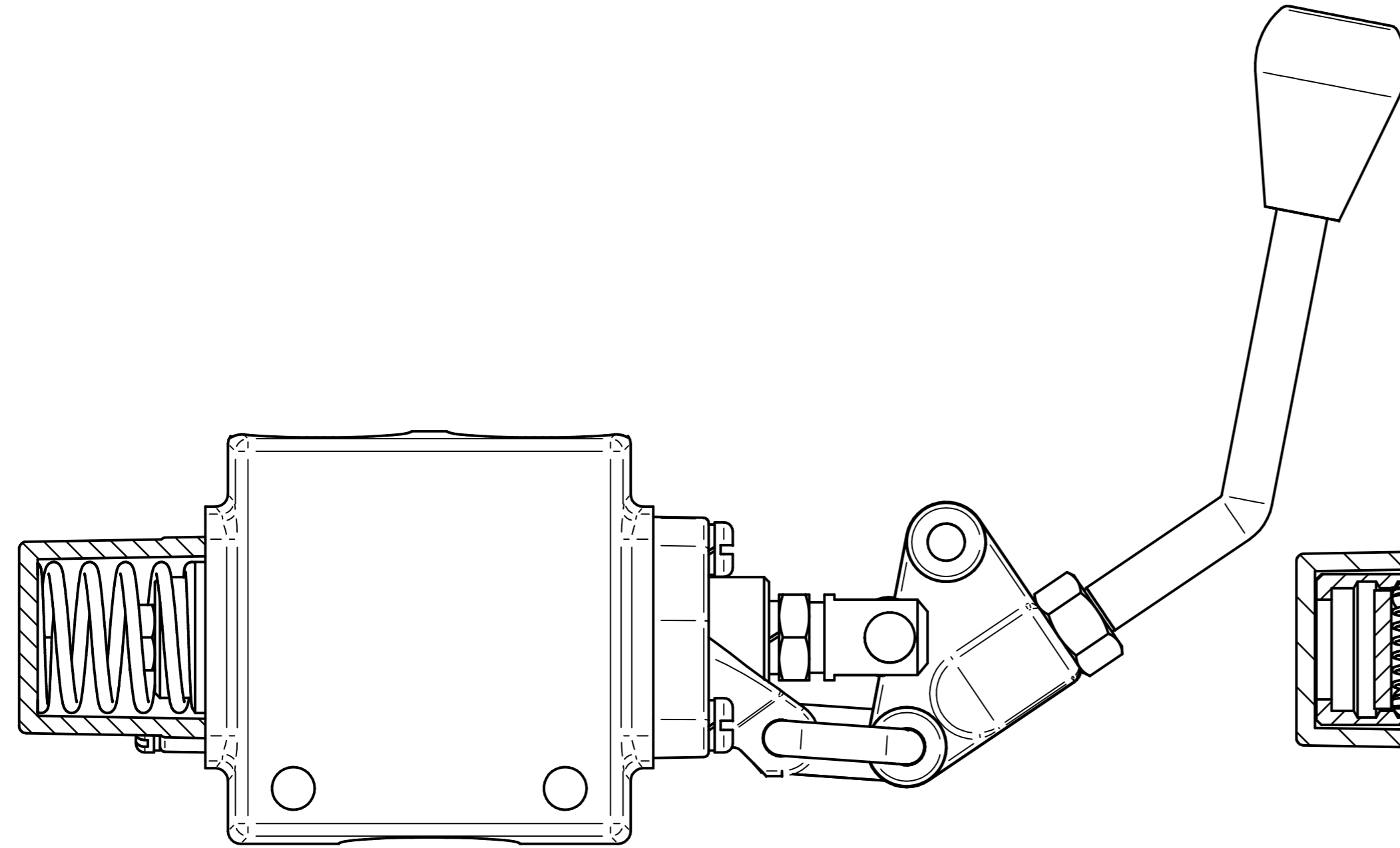
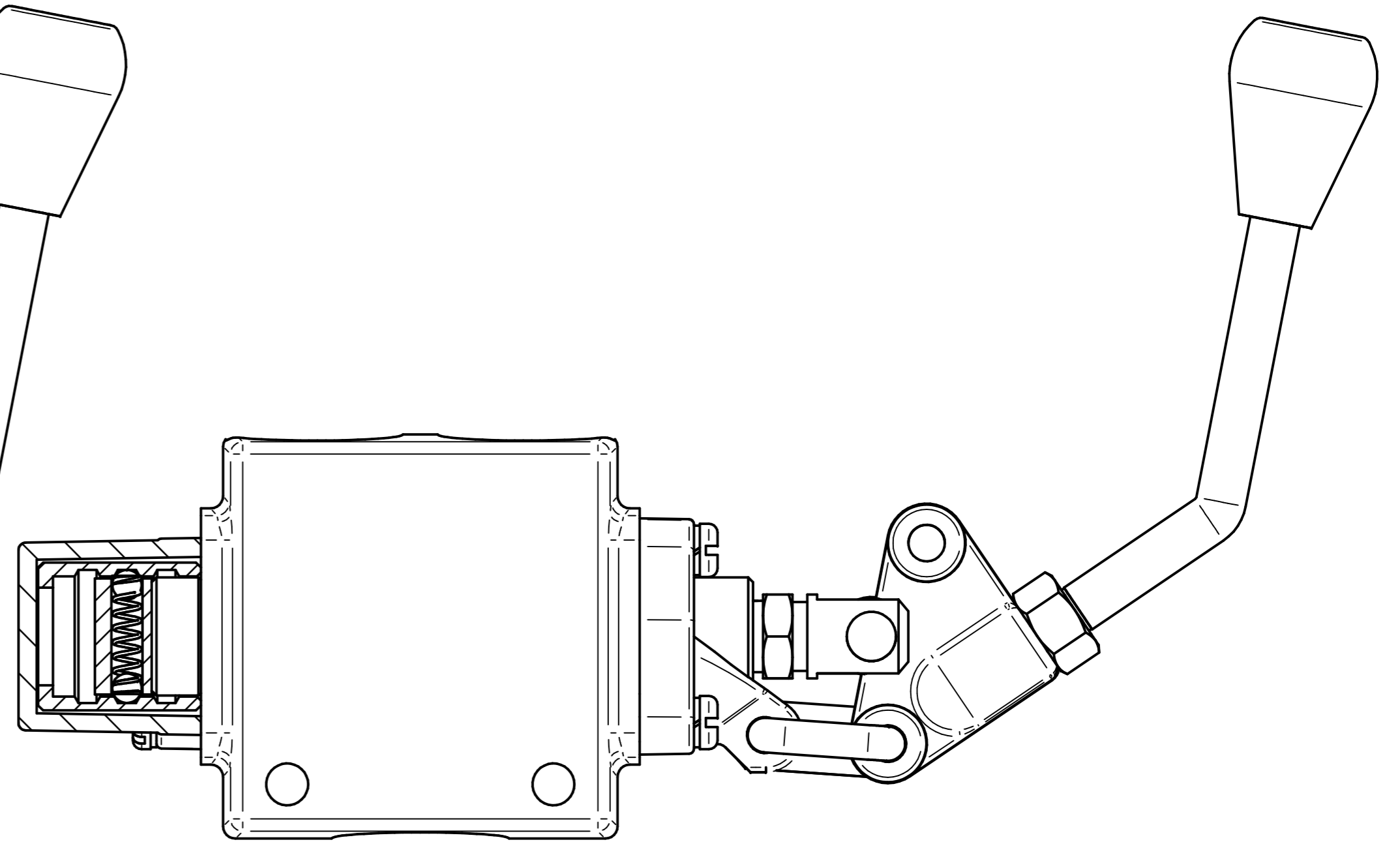


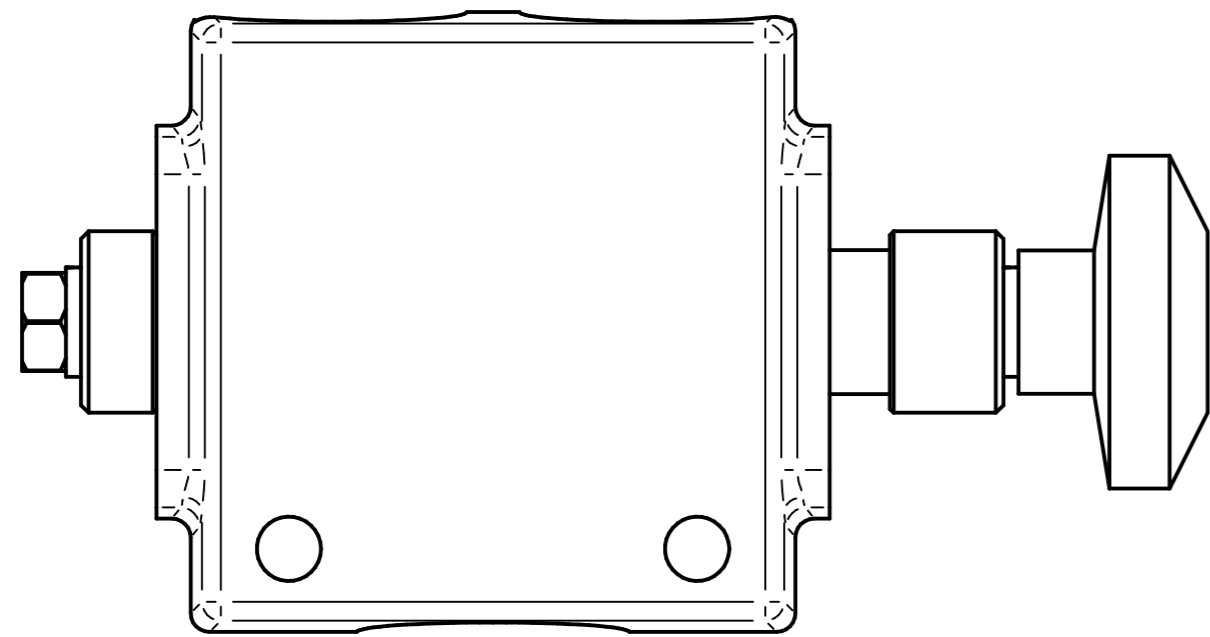
REVISION HISTORY			
REV	DESCRIPTION	DATE	APPROVED



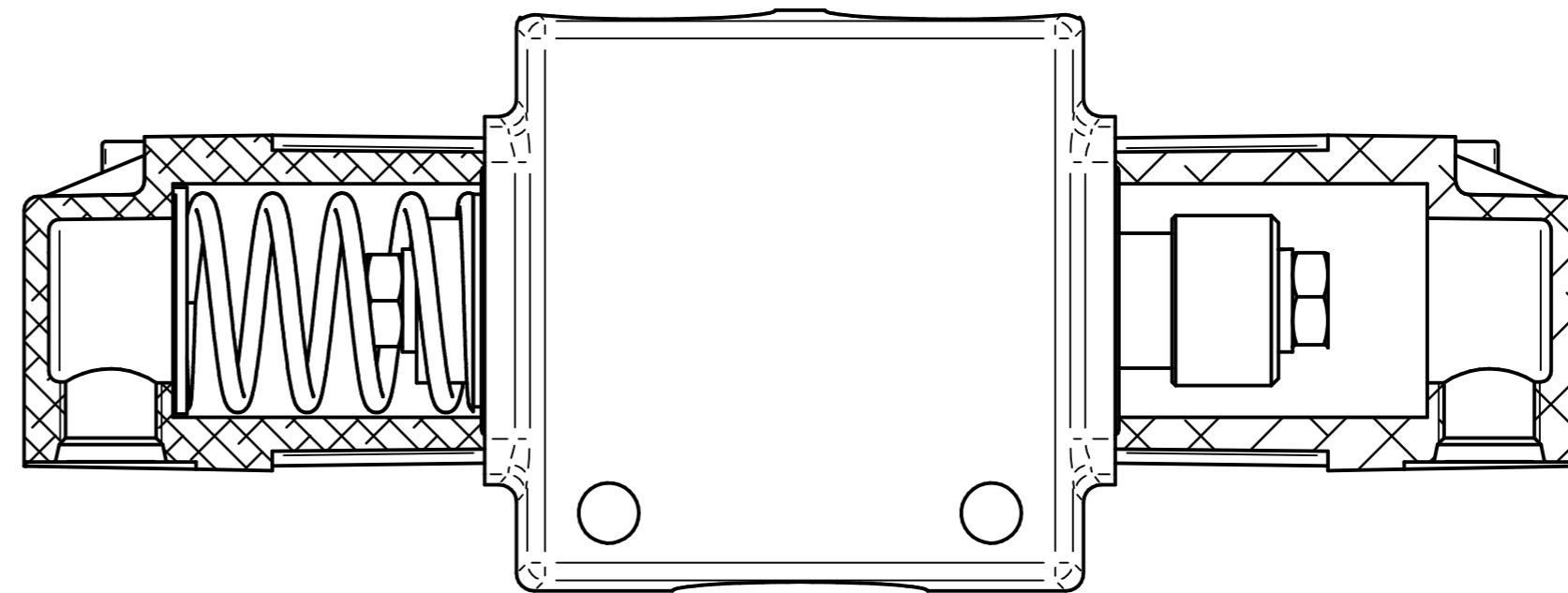
SVH-10LS0
LEVER SPRING OFFSET



SVH-10LD
LEVER DETENT 2 POSITION



SVH-10RR
RED KNOB RIGHT



SVH-10PS0
PILOT SPRING OFFSET
OIL & AIR

DRAWN	NAME	DATE	PREMAC	
APPROVED	Dan	07/26/18		
MATERIAL			TITLE	
TREATMENT			FILE NAME: Selector Valve Coalseam.dft	
UNLESS OTHERWISE SPECIFIED DIMENSIONS ARE IN MILLIMETERS			SIZE	DWG NO
ANGLES ±0.1°			A4	REV
1st ANGLE			SCALE: WEIGHT: SHEET 1 OF 1	
2 PL ±0.02 3 PL ±0.005				