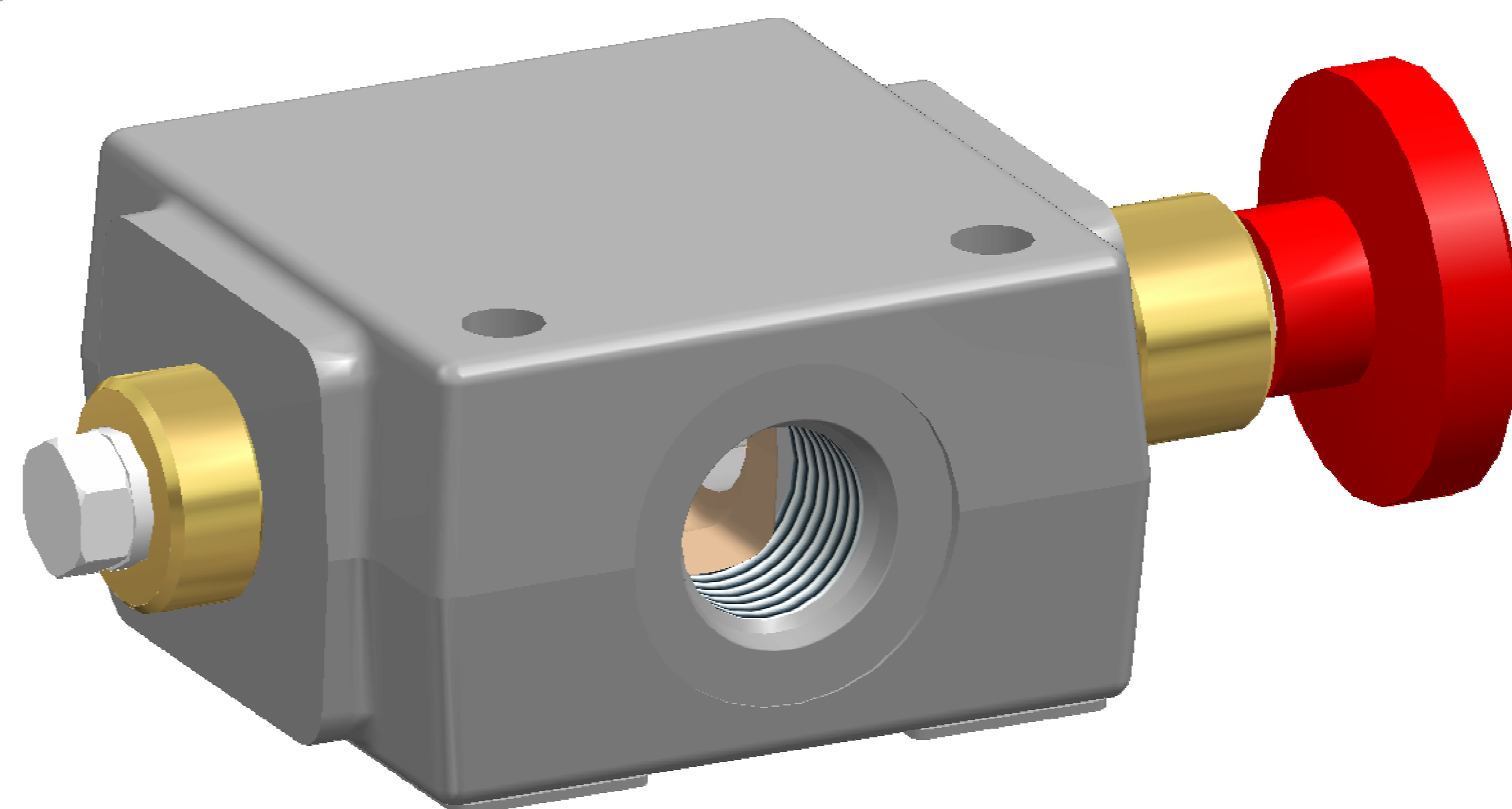
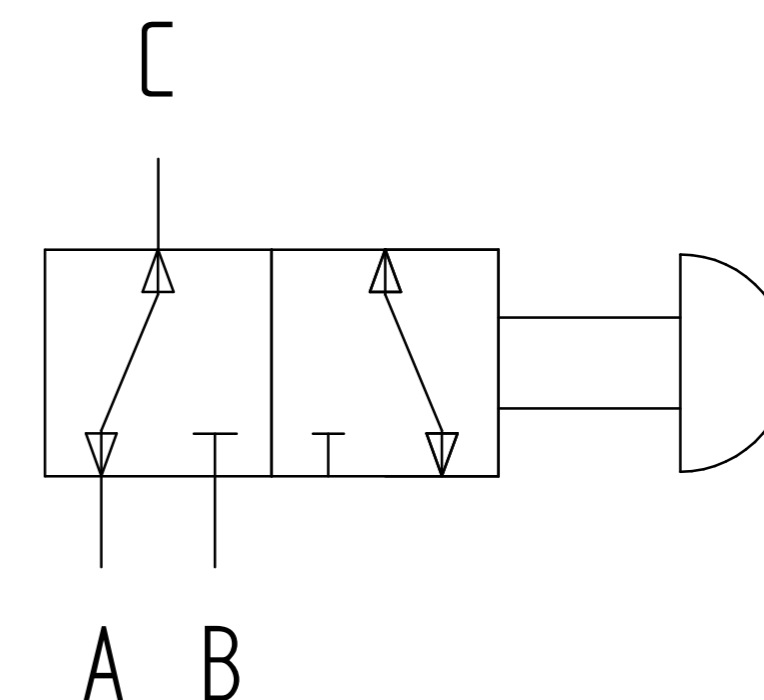
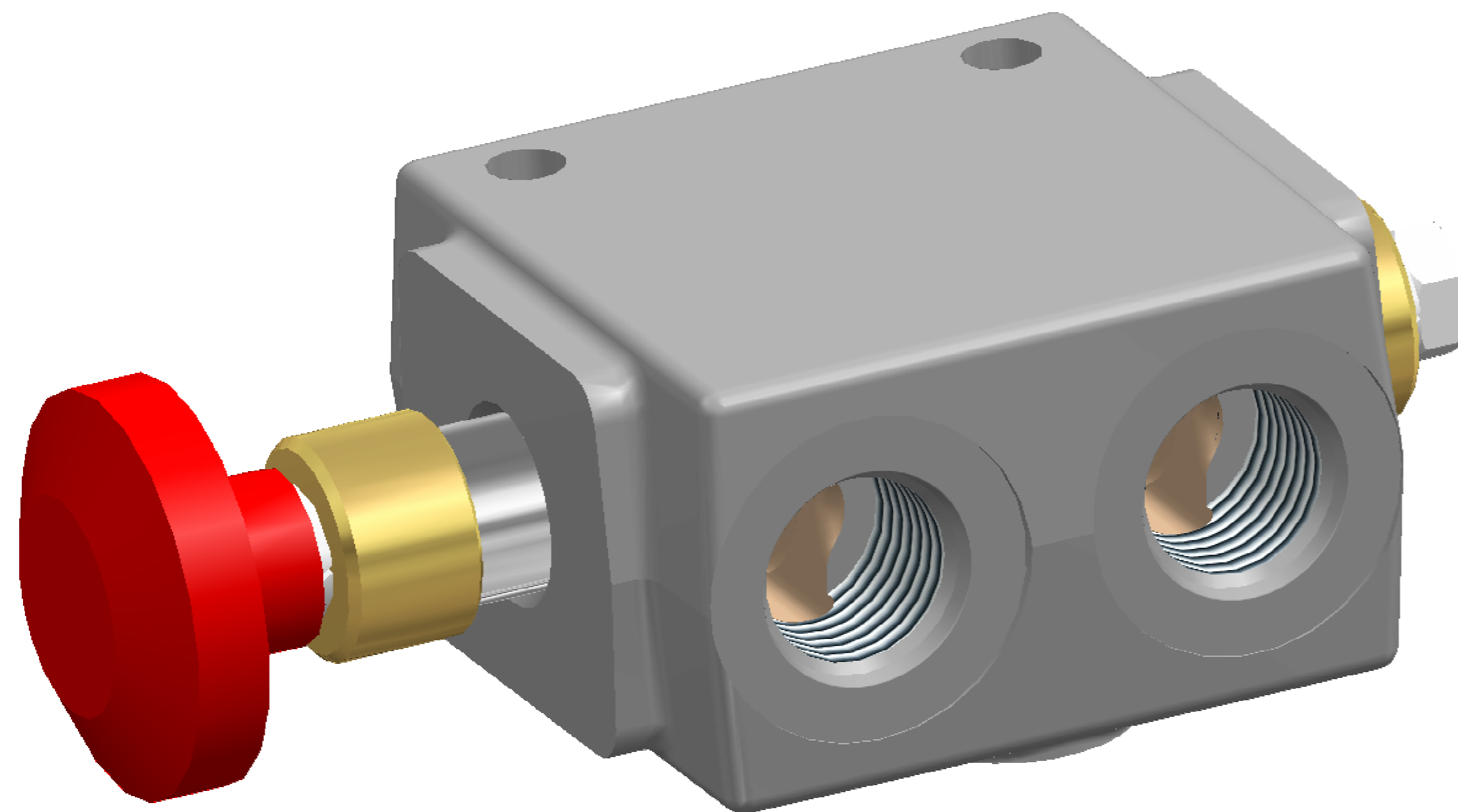


REVISION HISTORY			
REV	DESCRIPTION	DATE	APPROVED



**HAND BRAKE VALVE**  
**PART No: SVH-10RR**  
 WORK PORTS: SAE#10  
 NOMINAL FLOW: 60L/min  
 MAX PRESSURE: 350 Bar  
 MATERIAL: CAST IRON BODY,  
 STEEL SPOOL & PLASTIC KNOB

	NAME	DATE	<b>PREMAC</b>	
DRAWN	Dan	10/31/17		
APPROVED			TITLE	
MATERIAL			Selector Valve Horizontal	
TREATMENT			SIZE	DWG NO
UNLESS OTHERWISE SPECIFIED DIMENSIONS ARE IN MILLIMETERS			A4	SVH-10
1st ANGLE			FILE NAME: Selector Valve 2.dft	REV
2 PL ±0.02 3 PL ±0.005			SCALE:	WEIGHT: SHEET 1 OF 2