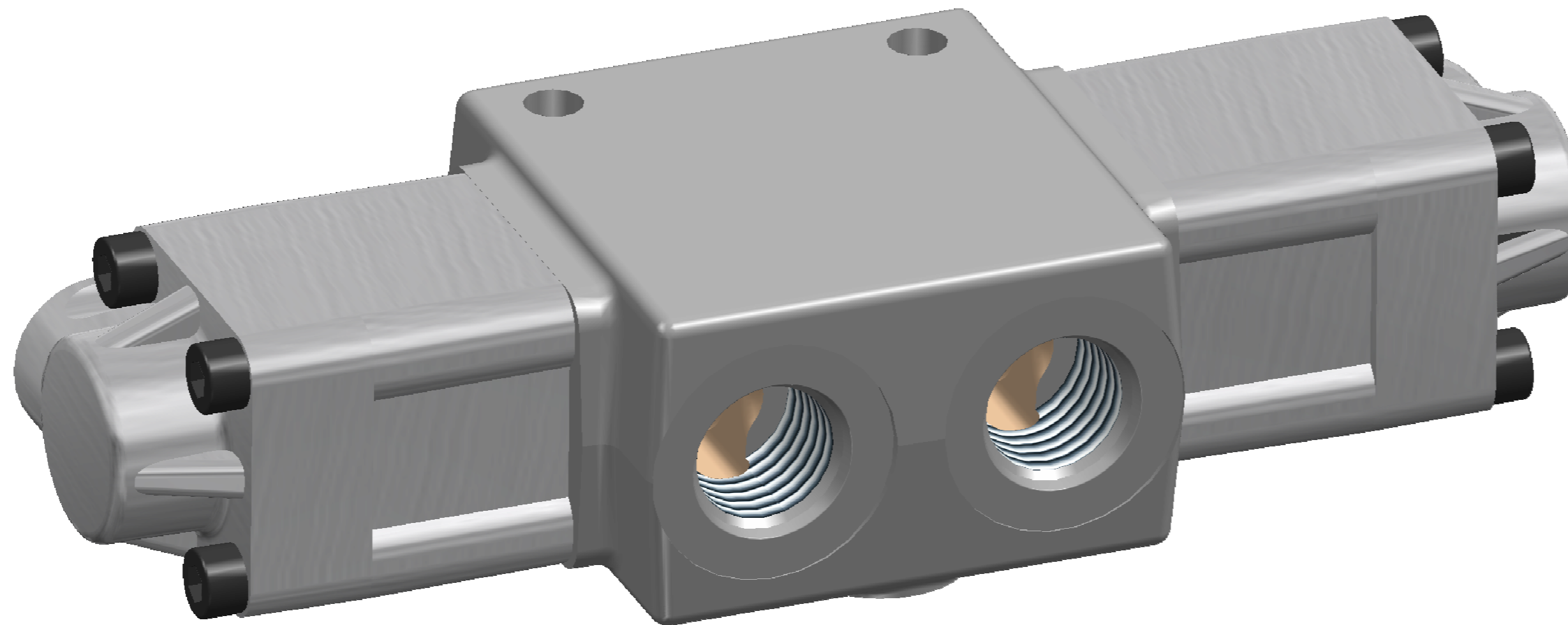
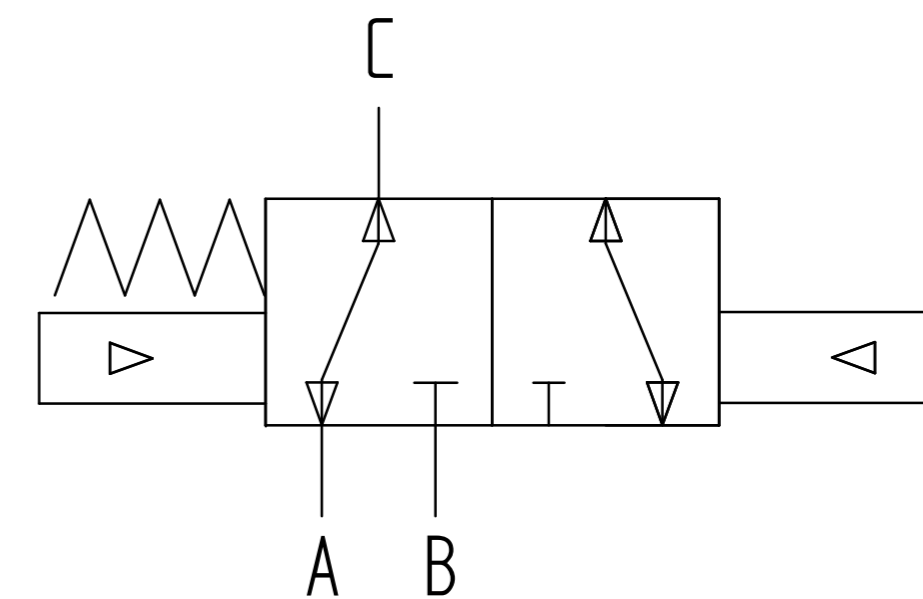


REVISION HISTORY			
REV	DESCRIPTION	DATE	APPROVED



BRAKE ISOLATION VALVE
PART No: SVH-10PSO
 WORK PORTS: SAE#10
 NOMINAL FLOW: 60L/min
 MAX PRESSURE: 350 Bar
 MATERIAL: CAST IRON BODY,
 STEEL SPOOL & ALUMINIUM DIE
 CAST BONNETS



	NAME	DATE	PREMAC		
DRAWN	DG	10/31/17			
APPROVED			TITLE Selector Valve HR		
MATERIAL					
TREATMENT			SIZE A4	DWG NO	REV
UNLESS OTHERWISE SPECIFIED DIMENSIONS ARE IN MILLIMETERS			FILE NAME: Selector Valve HR.dft		
1st ANGLE 2 PL ±0.02 3 PL ±0.005			SCALE:	WEIGHT:	SHEET 4 OF 4