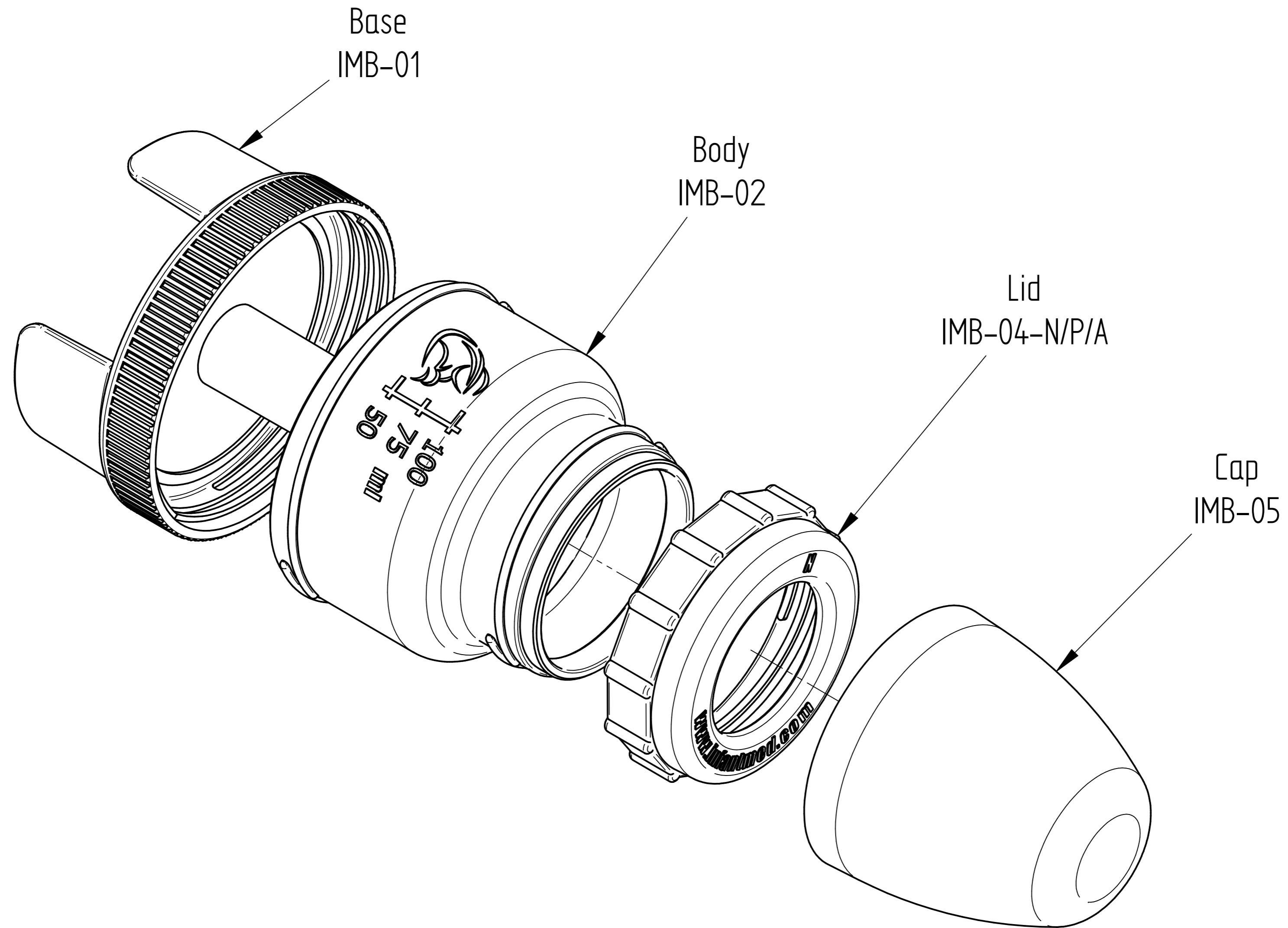


REVISION HISTORY			
REV	DESCRIPTION	DATE	APPROVED



InfantMed Bottle ETD Assembly

	NAME	DATE	PREMAC	
DRAWN	Dan	02/21/12		
APPROVED			TITLE	
MATERIAL				
TREATMENT			UNLESS OTHERWISE SPECIFIED DIMENSIONS ARE IN MILLIMETERS ANGLES ±0.1° <small>1st ANGLE</small>	
			2 PL ±0.02 3 PL ±0.005	SIZE A4 DWG NO. REV
			SCALE: WEIGHT: SHEET 1 OF 1	FILE NAME: InfantMed ETD Parts.dft