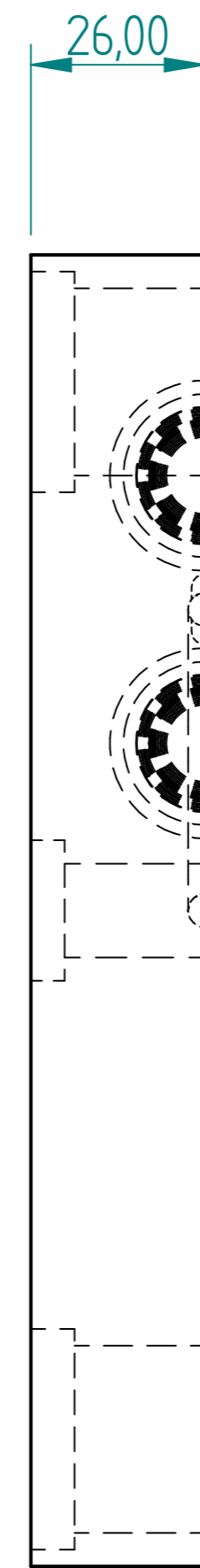
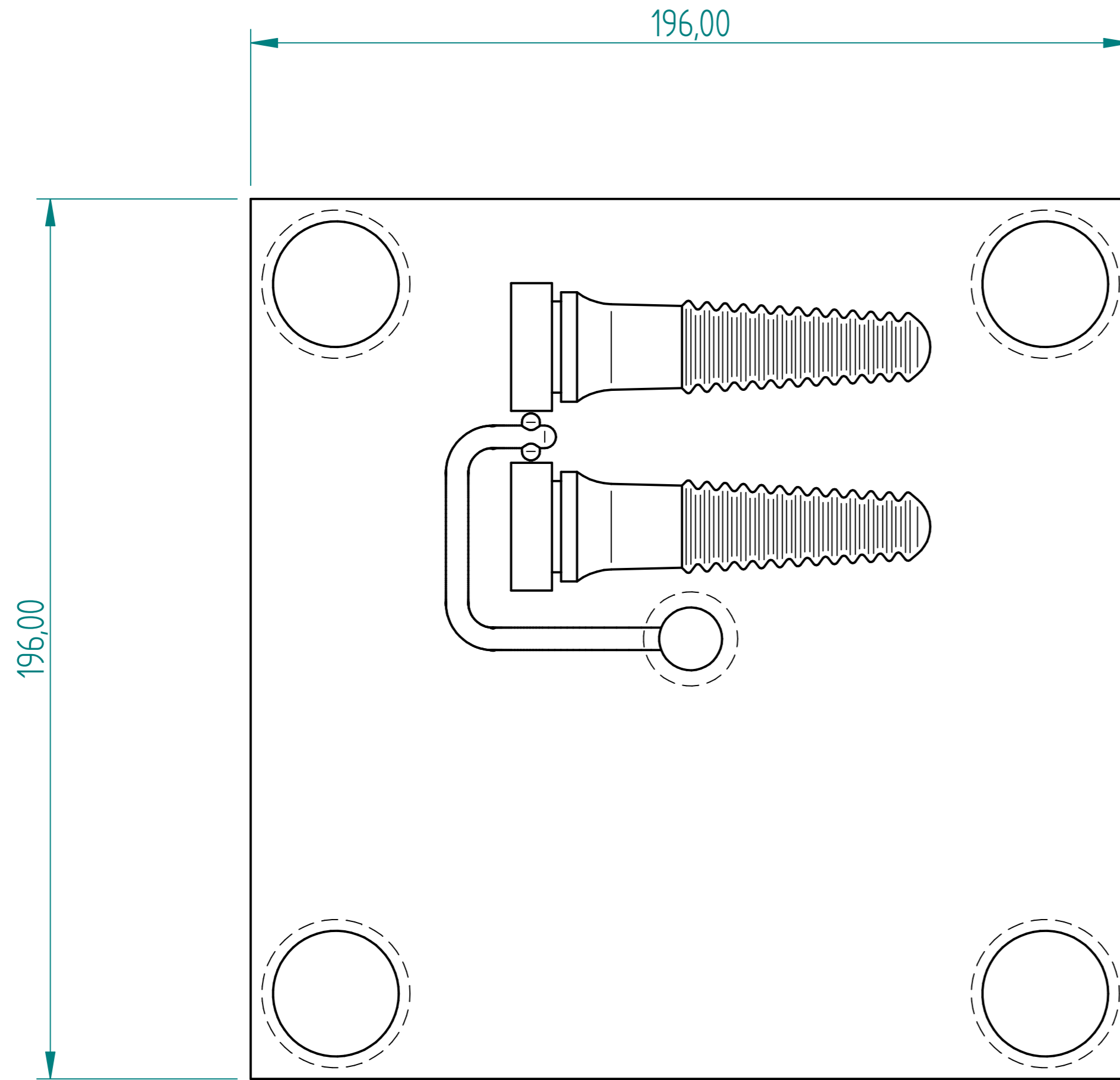


| REVISION HISTORY | | | |
|------------------|-------------|------|----------|
| REV | DESCRIPTION | DATE | APPROVED |
| | | | |



| | | | | |
|---|------|----------|--------------------------------|---------|
| | NAME | DATE | AGRIGEL | |
| DRAWN | Dan | 01/25/19 | | |
| APPROVED | | | | |
| MATERIAL | | | | |
| TREATMENT | | | TITLE | |
| UNLESS OTHERWISE SPECIFIED DIMENSIONS ARE IN MILLIMETERS | | | SIZE A4 | DWG NO |
| 1 st ANGLE ANGLES ±0.1° | | | FILE NAME: PT MH Die Plate.dft | |
| 2 PL ±0.02 3 PL ±0.005 | | | SCALE: | WEIGHT: |
| | | | SHEET 1 OF 1 | |