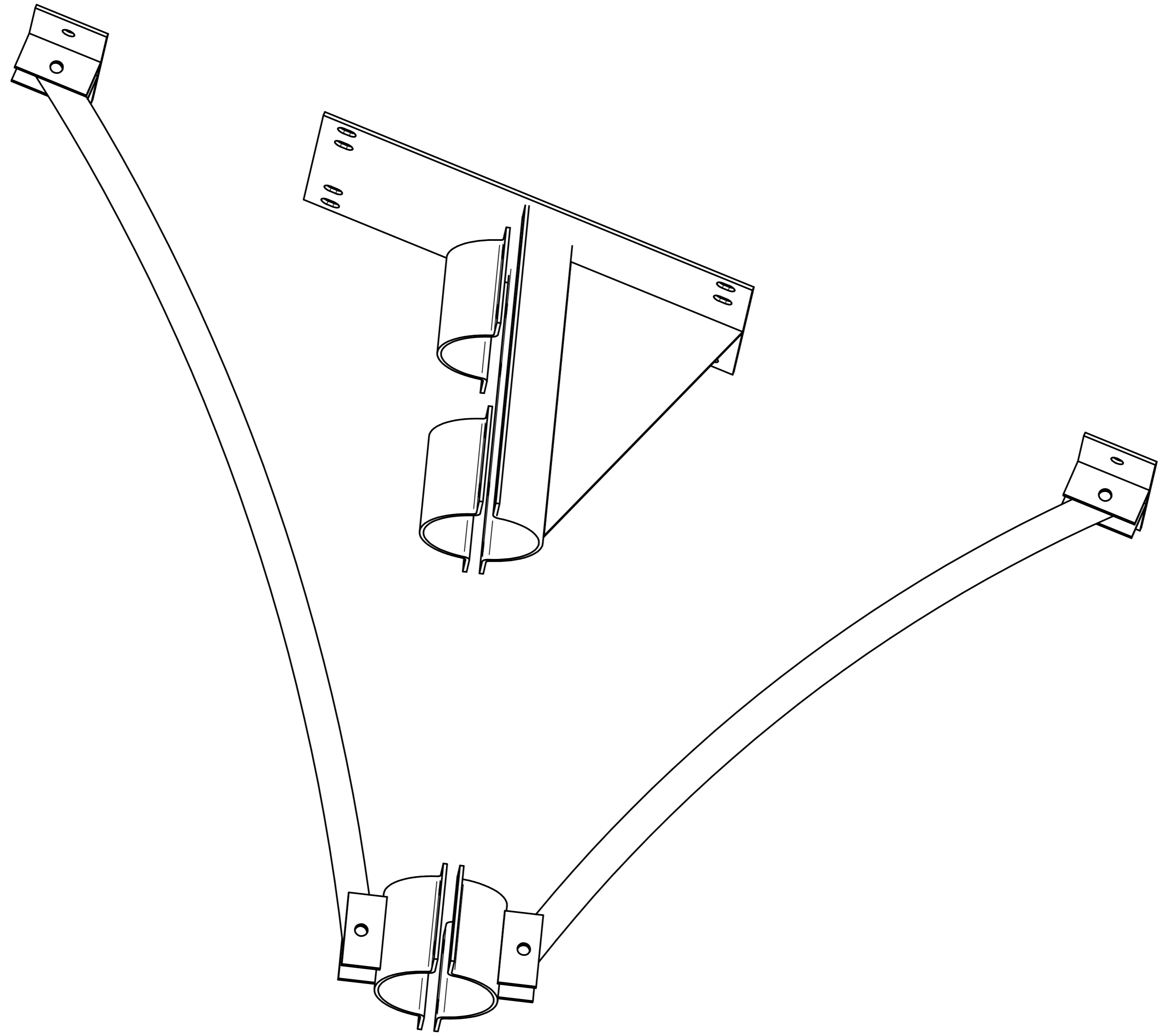

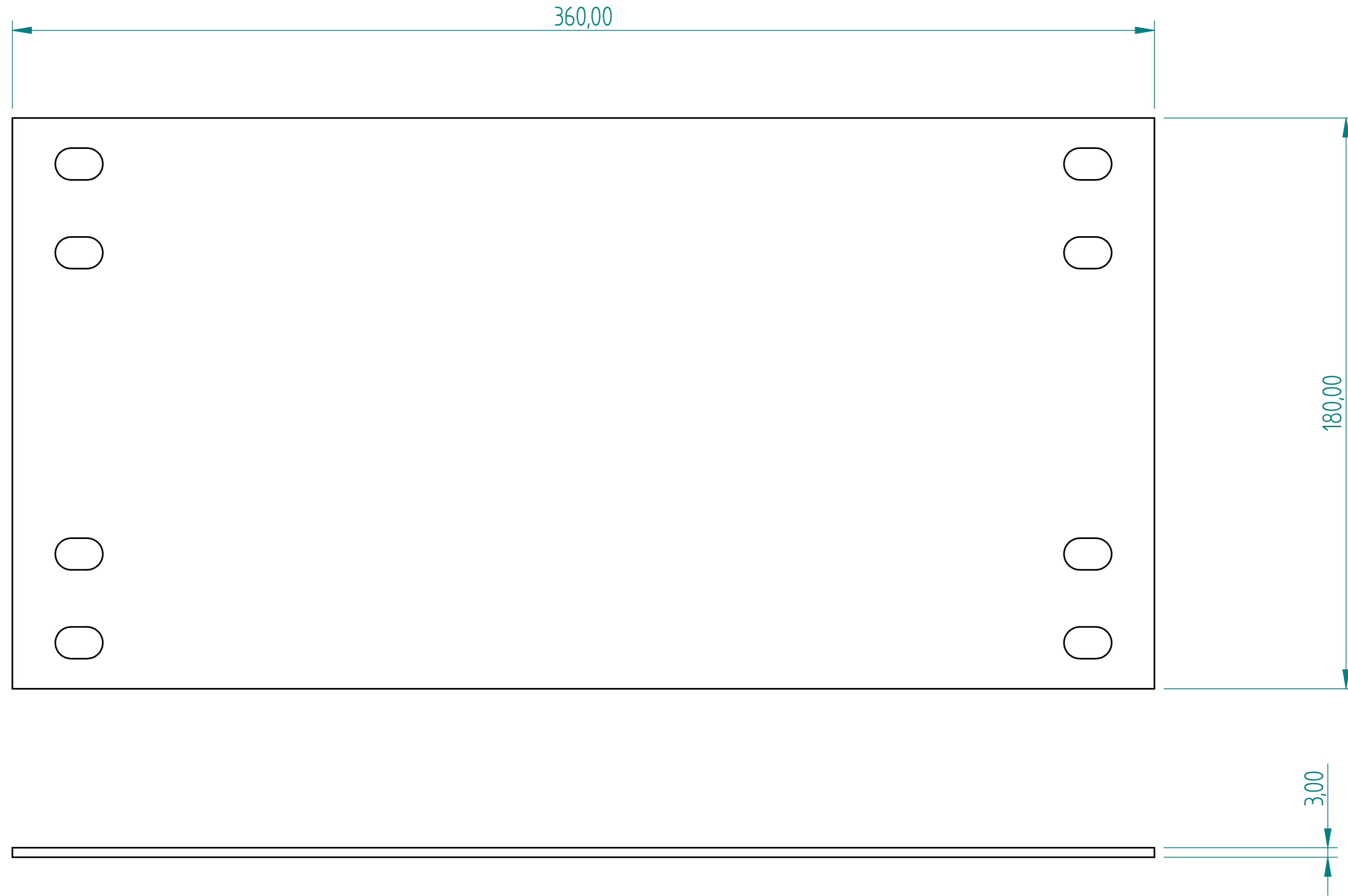


REVISION HISTORY			
REV	DESCRIPTION	DATE	APPROVED




	NAME	DATE	AGRIGEL	
DRAWN	DG	04/25/17		
APPROVED				
MATERIAL				
TREATMENT			TITLE	
UNLESS OTHERWISE SPECIFIED DIMENSIONS ARE IN MILLIMETERS			SIZE A4	DWG NO
1 st ANGLE  2 PL ±0.02 3 PL ±0.005			FILE NAME: Bracket.dft	
			SCALE:	WEIGHT:
			SHEET 1 OF 6	

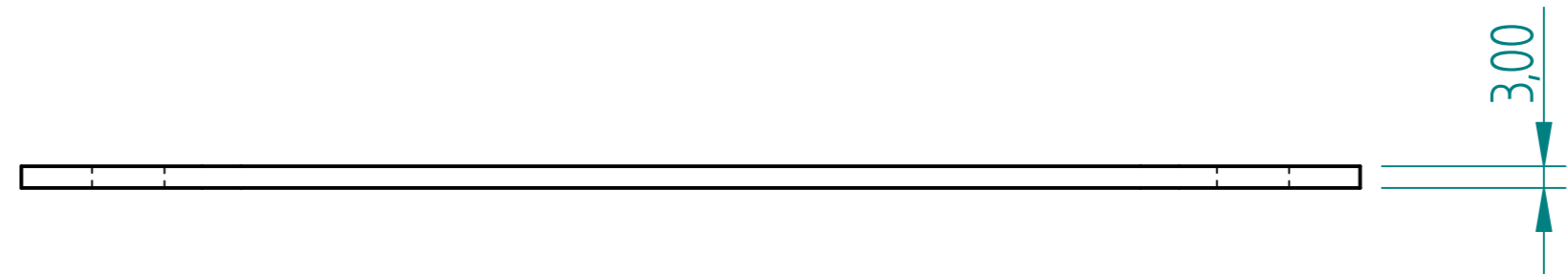
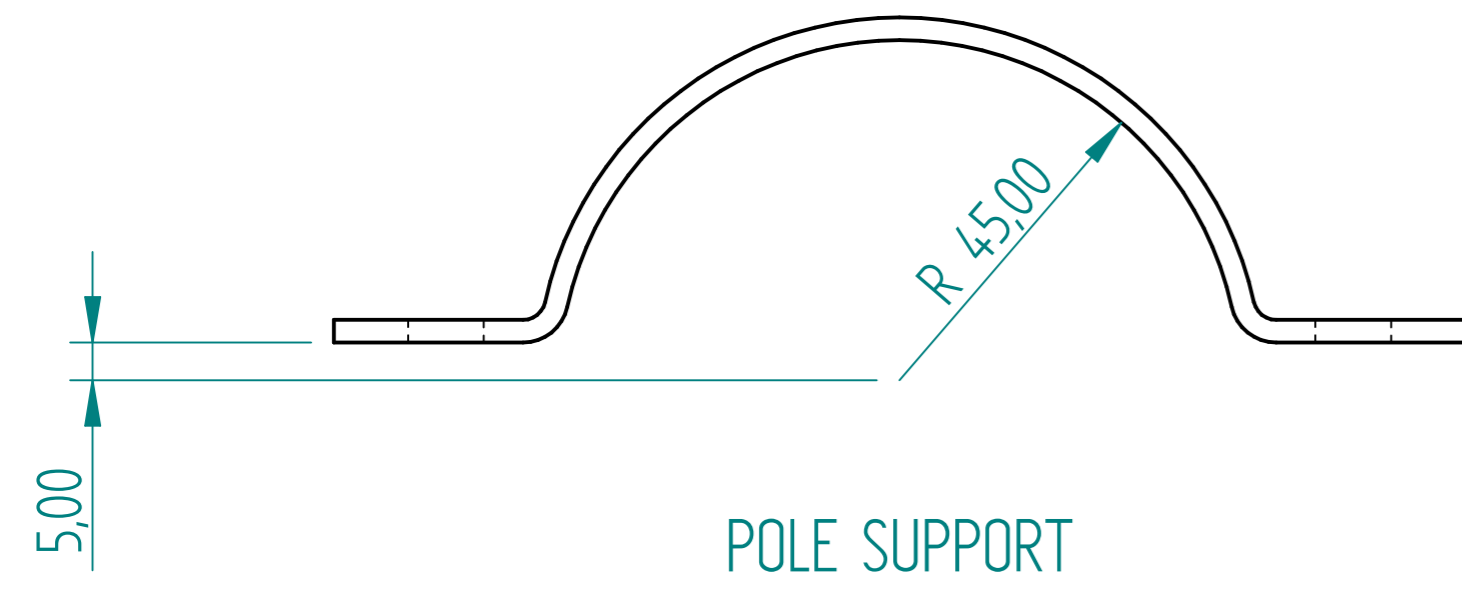
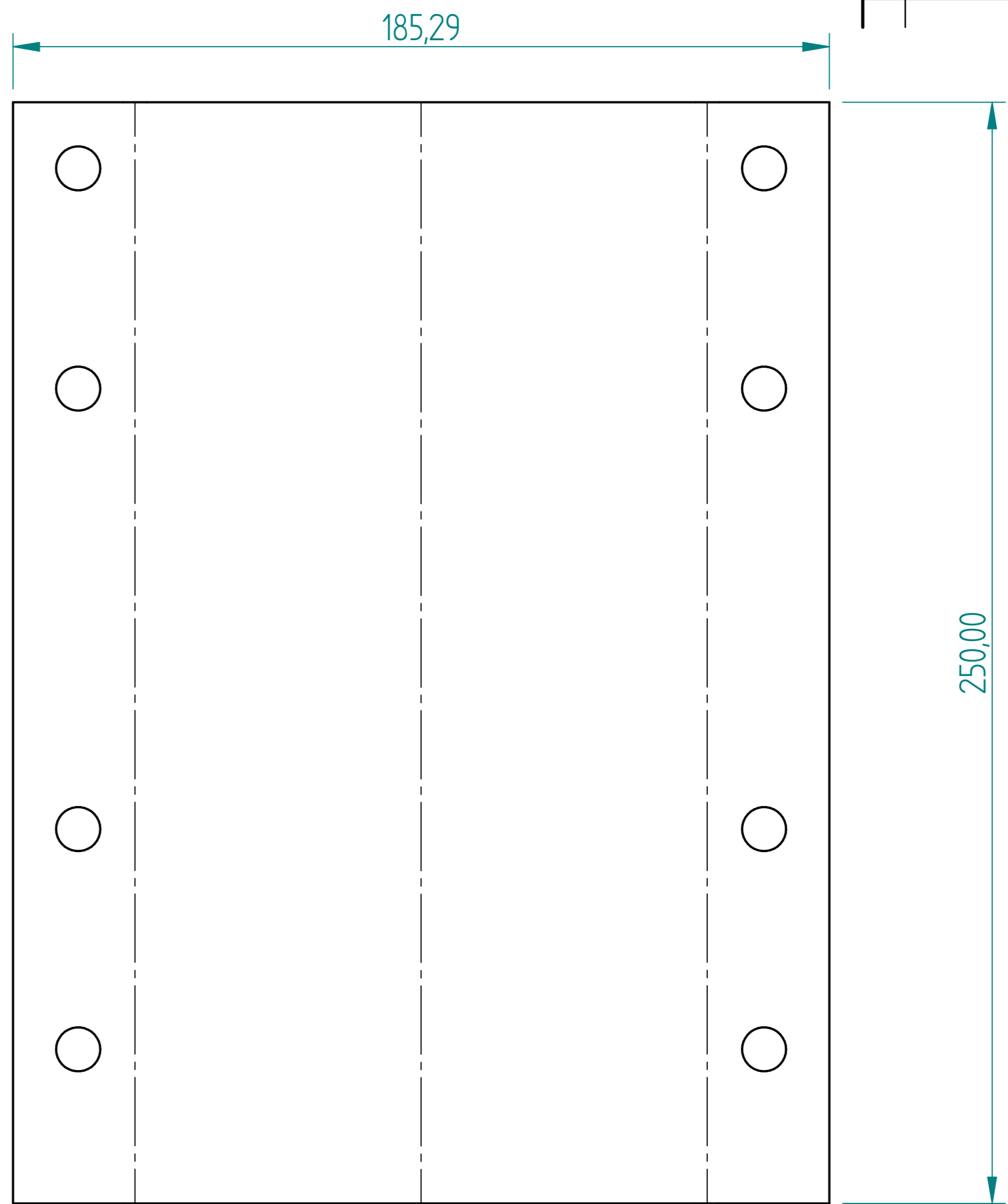
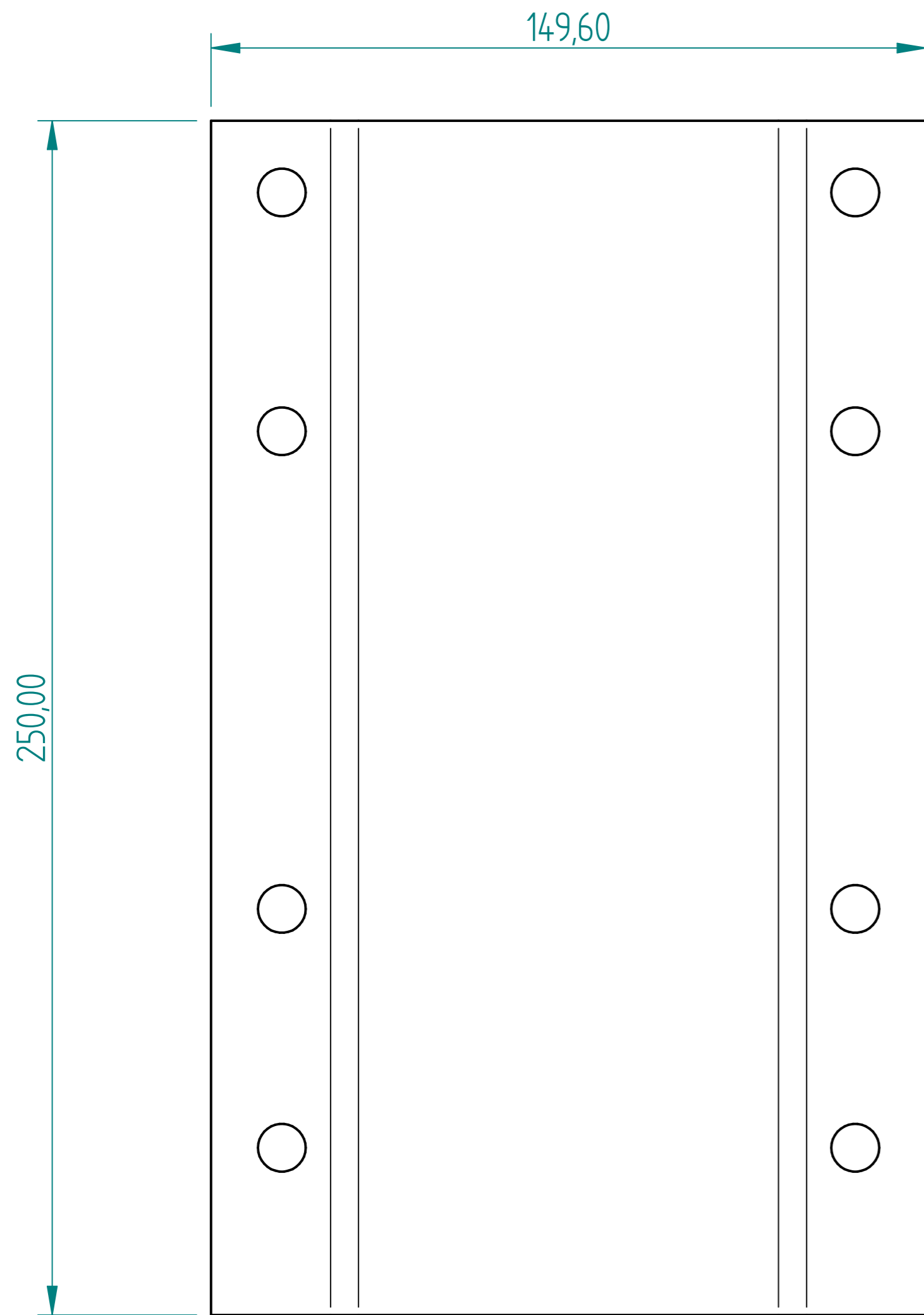
REVISION HISTORY			
REV	DESCRIPTION	DATE	APPROVED



BASE PLATE
1 OFF

	NAME	DATE	AGRIGEL	
DRAWN	DG	04/25/17		
APPROVED			TITLE	
MATERIAL				
TREATMENT				
UNLESS OTHERWISE SPECIFIED DIMENSIONS ARE IN MILLIMETERS			SIZE A4	DWG NO
1 st ANGLE  2 PL ±0.02 3 PL ±0.005			FILE NAME: Bracket.dft	
			SCALE:	WEIGHT:
			SHEET 2 OF 6	

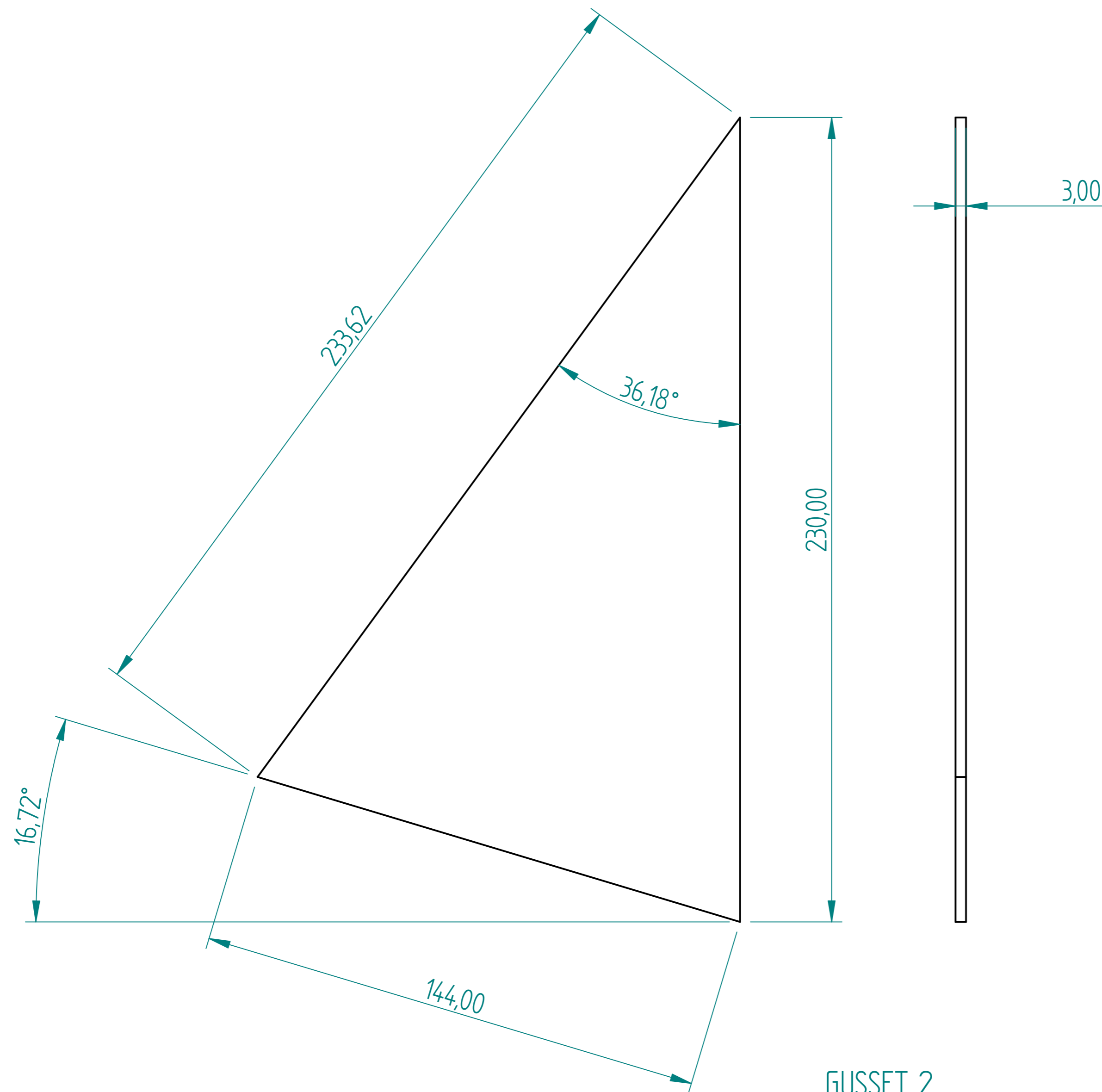
REVISION HISTORY			
REV	DESCRIPTION	DATE	APPROVED



POLE SUPPORT FLAT
1 OFF

	NAME	DATE	AGRIGEL	
DRAWN	DG	04/25/17		
APPROVED				
MATERIAL				
TREATMENT			TITLE	
UNLESS OTHERWISE SPECIFIED DIMENSIONS ARE IN MILLIMETERS			SIZE A4	DWG NO
1st ANGLE ANGLES ±0.1°			FILE NAME: Bracket.dft	REV
2 PL ±0.02 3 PL ±0.005			SCALE:	WEIGHT:
			SHEET 3 OF 6	

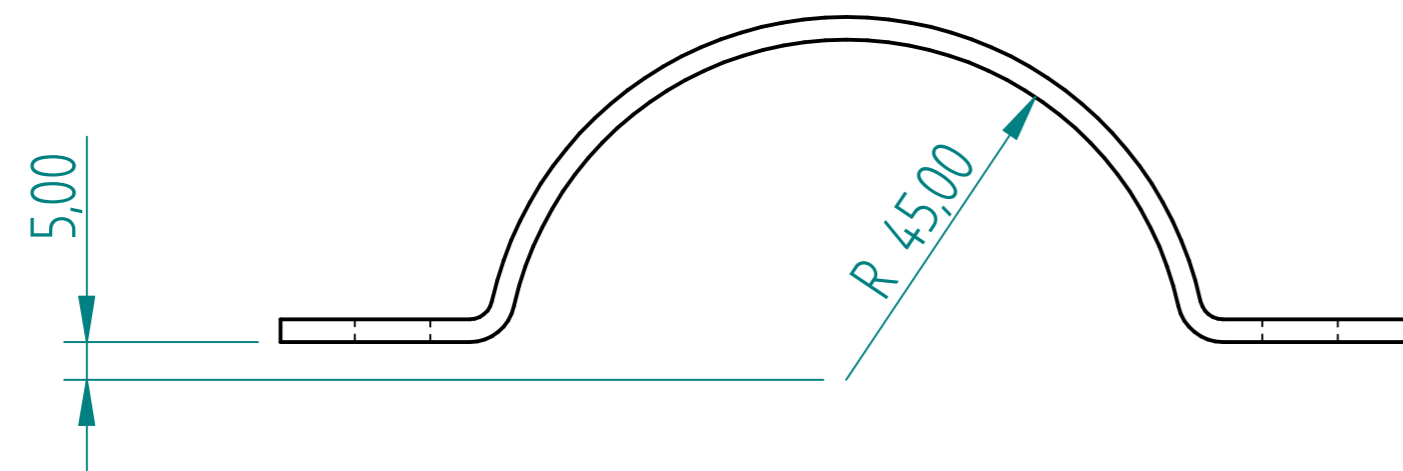
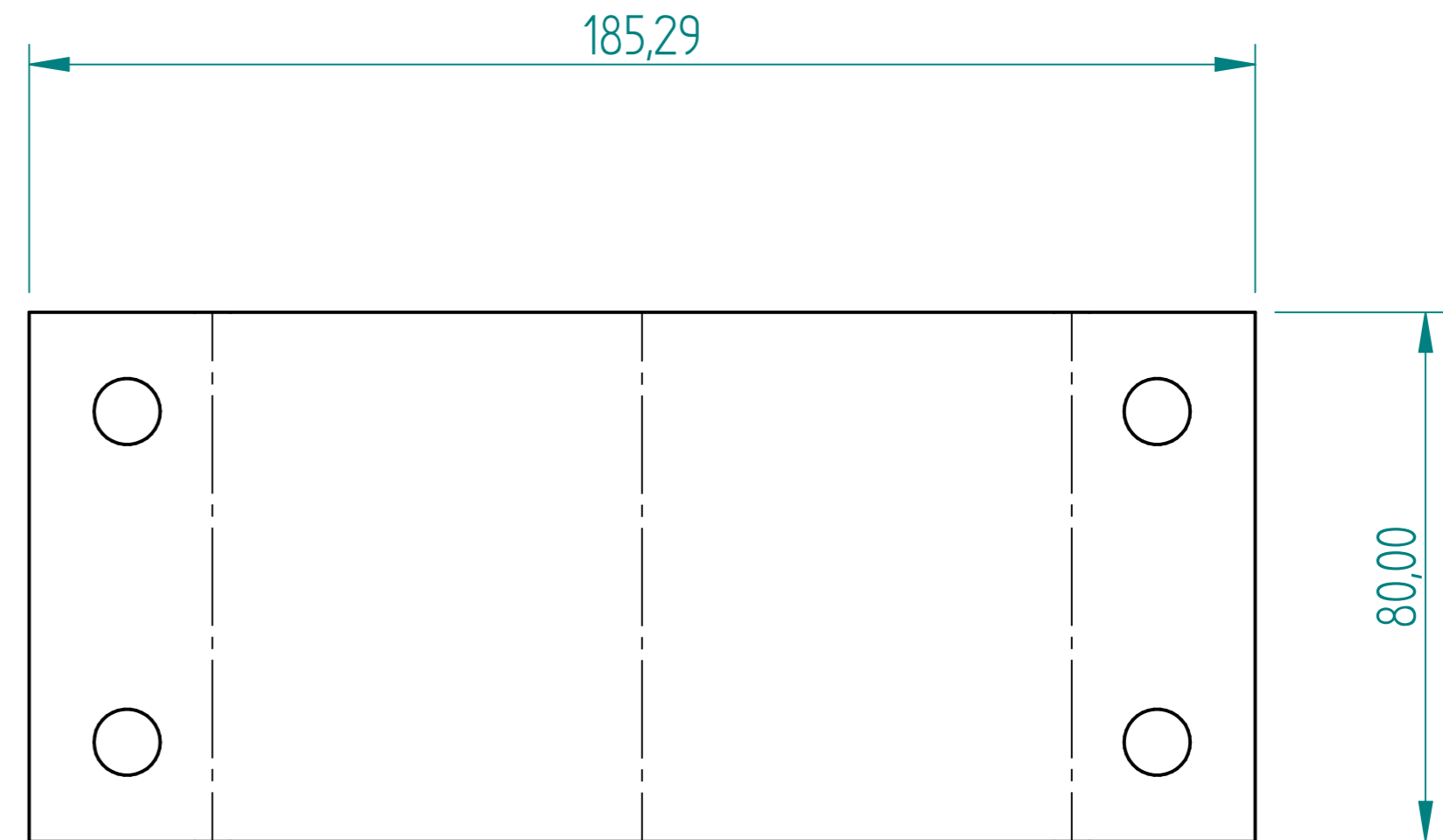
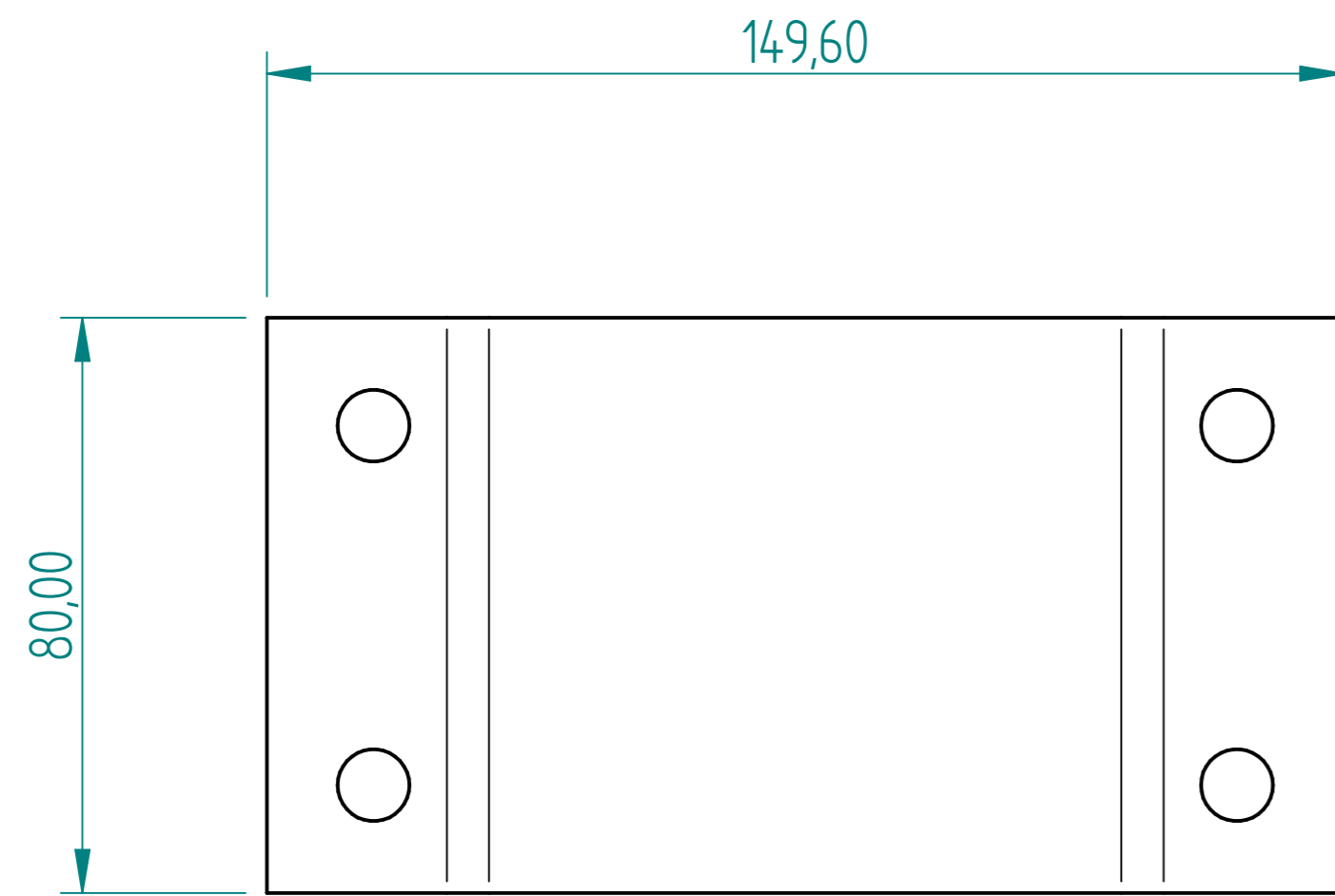
REVISION HISTORY			
REV	DESCRIPTION	DATE	APPROVED



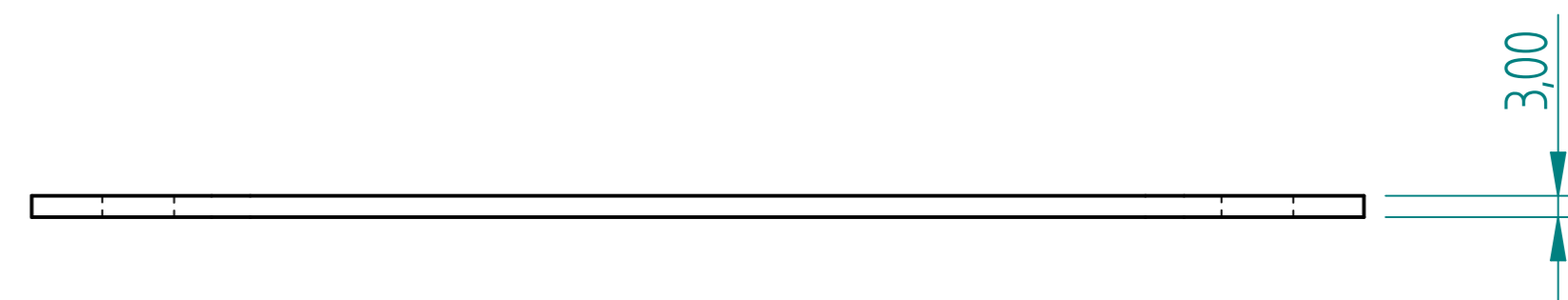
GUSSET 2
1 OFF

	NAME	DATE	AGRIGEL	
DRAWN	DG	04/25/17	TITLE	
APPROVED				
MATERIAL				
TREATMENT				
UNLESS OTHERWISE SPECIFIED DIMENSIONS ARE IN MILLIMETERS			SIZE A4	DWG NO
1st ANGLE ANGLES ±0.1°			REV	
2 PL ±0.02 3 PL ±0.005			FILE NAME: Bracket.dft	
SCALE:		WEIGHT:	SHEET 4 OF 6	

REVISION HISTORY			
REV	DESCRIPTION	DATE	APPROVED



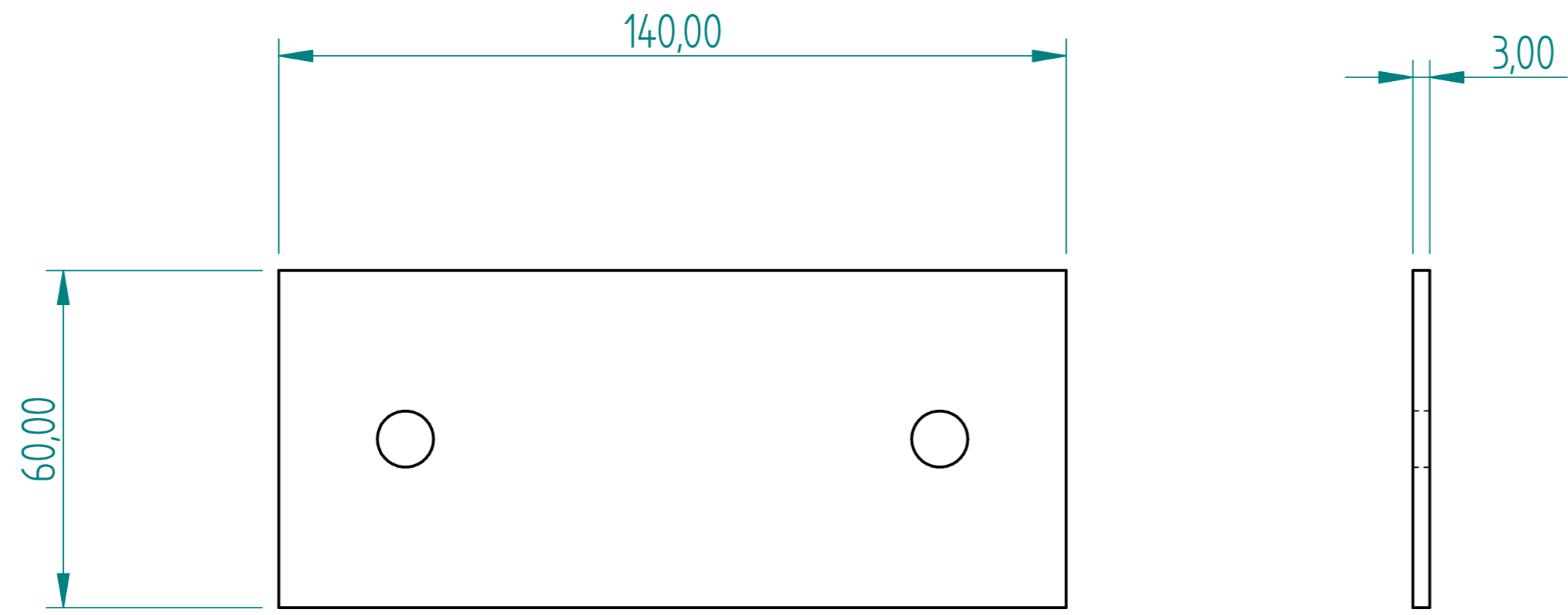
POLE CLAMP



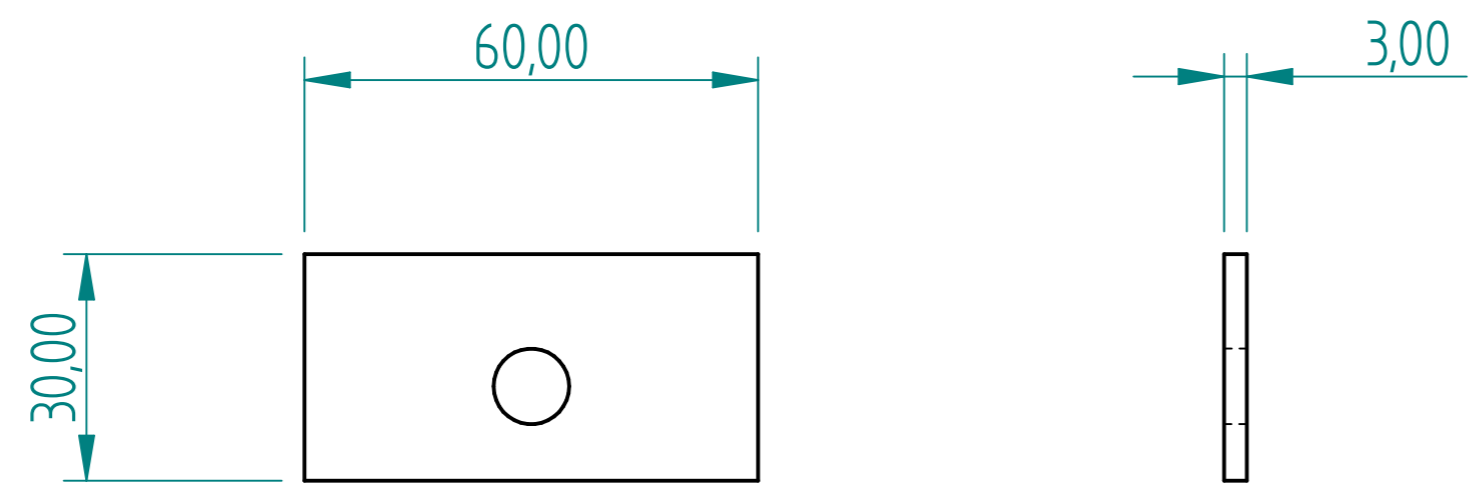
POLE CLAMP FLAT
4 OFF

	NAME	DATE	AGRIGEL	
DRAWN	DG	04/25/17		
APPROVED				
MATERIAL				
TREATMENT			TITLE	
UNLESS OTHERWISE SPECIFIED DIMENSIONS ARE IN MILLIMETERS			SIZE A4	DWG NO
1st ANGLE ANGLES ±0.1°			FILE NAME: Bracket.dft	REV
2 PL ±0.02 3 PL ±0.005			SCALE:	WEIGHT:
			SHEET 5 OF 6	

REVISION HISTORY			
REV	DESCRIPTION	DATE	APPROVED



SUPPORT BASE
2 OFF



SUPPORT SIDE
8 OFF

	NAME	DATE	AGRIGEL	
DRAWN	DG	04/25/17		
APPROVED				
MATERIAL				
TREATMENT			TITLE	
UNLESS OTHERWISE SPECIFIED DIMENSIONS ARE IN MILLIMETERS			SIZE A4	DWG NO
1 st ANGLE ANGLES ±0.1°			FILE NAME: Bracket.dft	REV
2 PL ±0.02 3 PL ±0.005			SCALE:	WEIGHT:
			SHEET 6 OF 6	