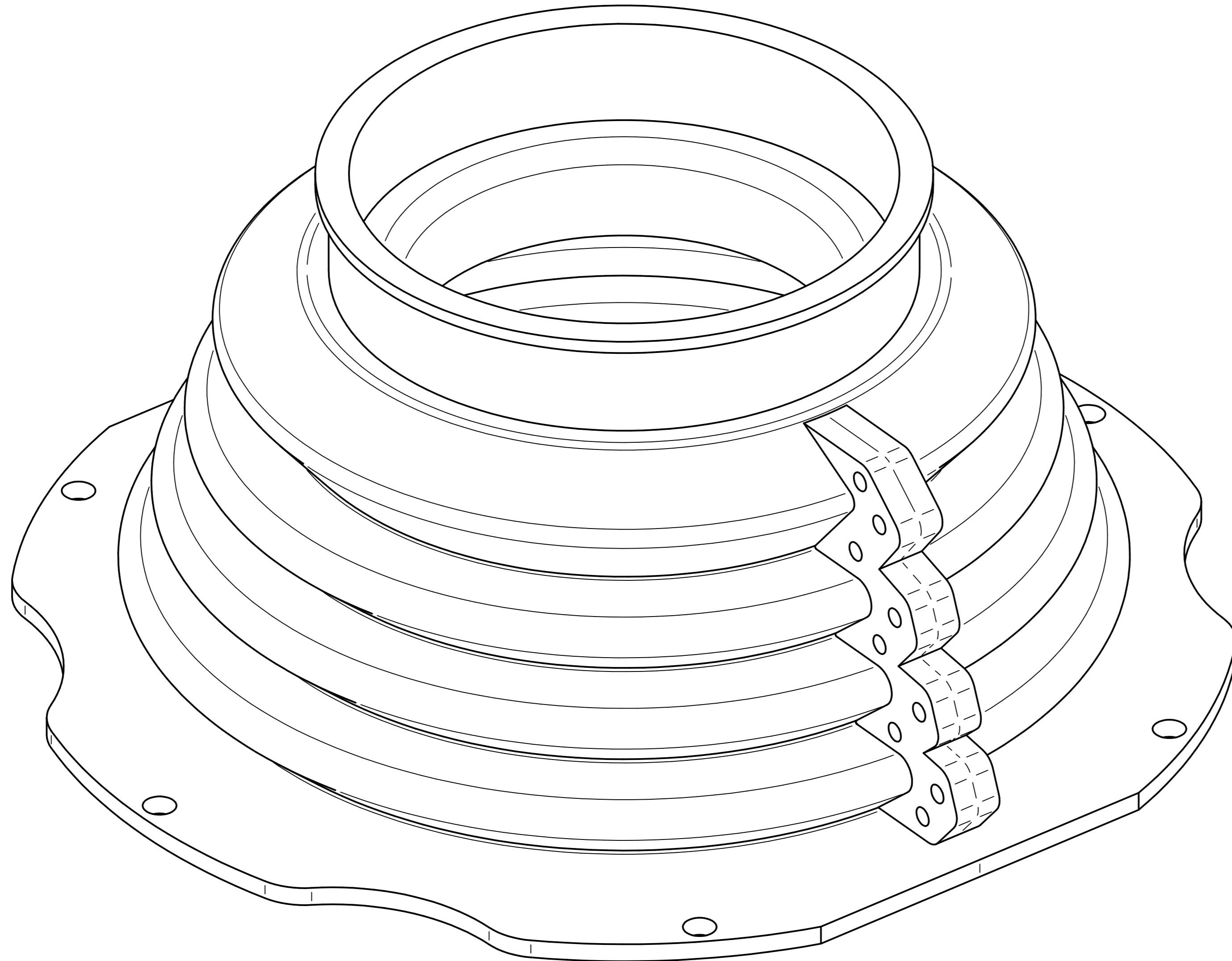


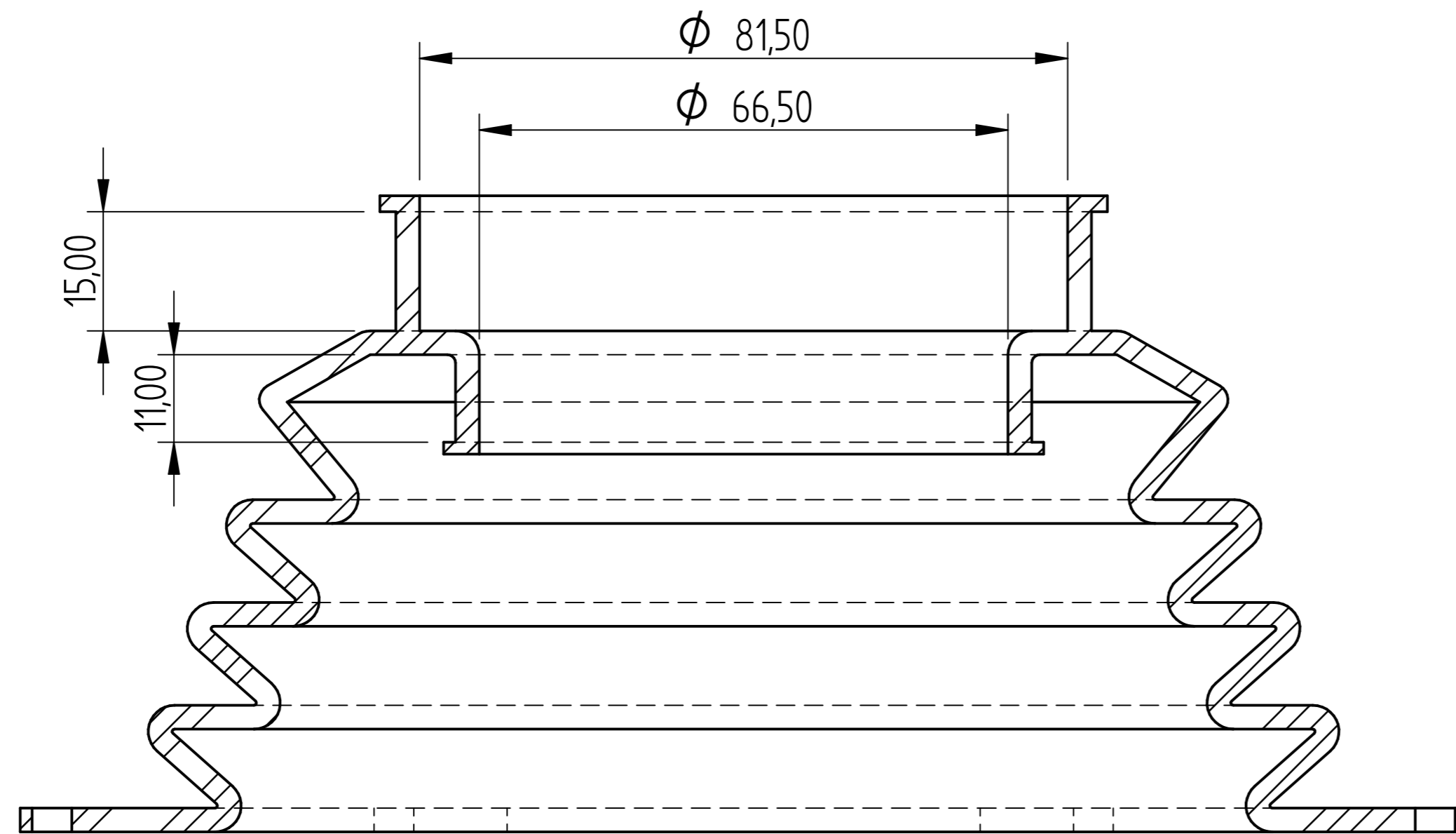
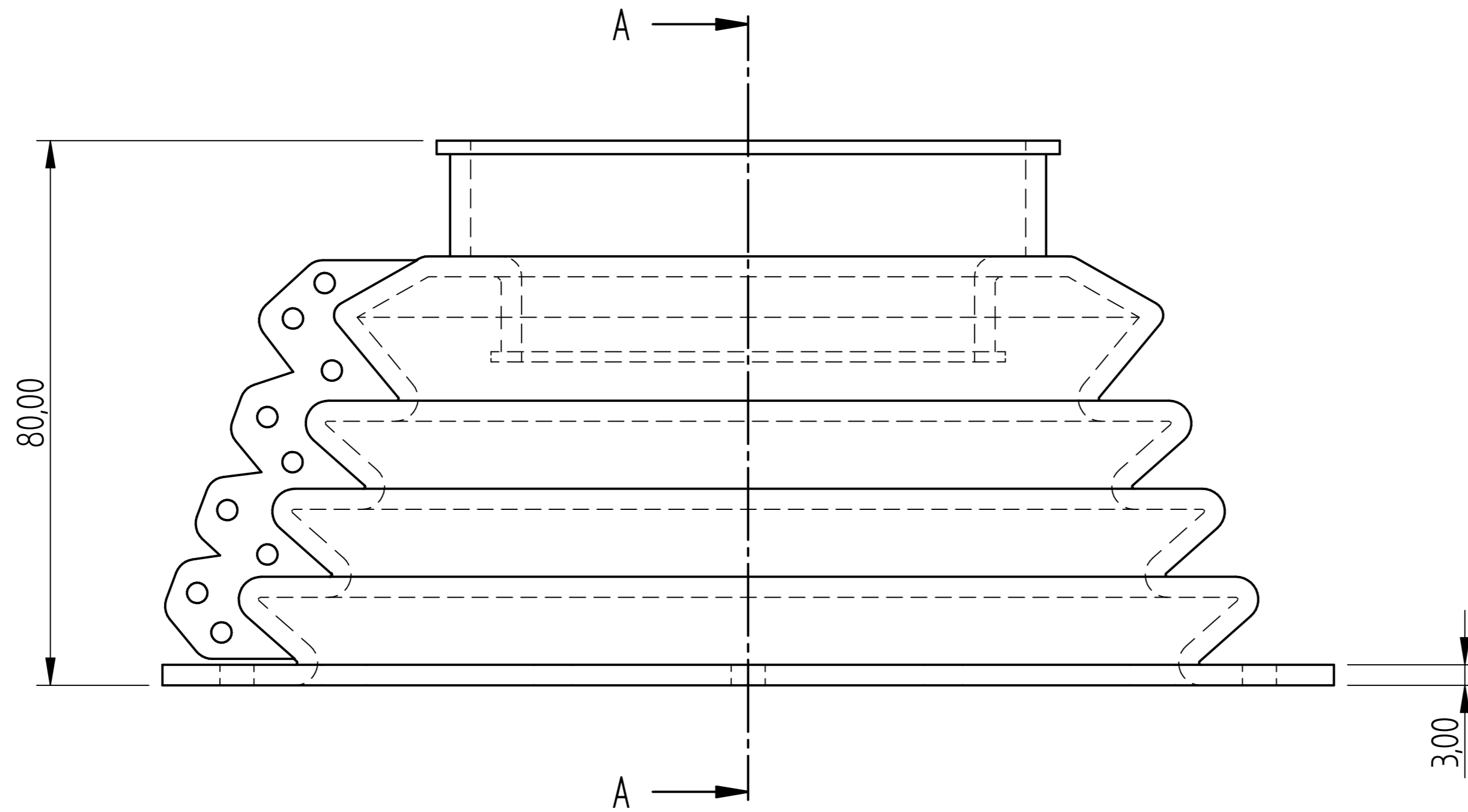
SCALE 1:1    A4 Paper

REVISION HISTORY			
REV	DESCRIPTION	DATE	APPROVED



	NAME	DATE	<b>PREMAC</b>	
DRAWN	Dan	05/20/13		
APPROVED				
MATERIAL				
TREATMENT			TITLE	
UNLESS OTHERWISE SPECIFIED DIMENSIONS ARE IN MILLIMETERS			SIZE	DWG NO
ANGLES ±0.1°			A4	Boot 1
1st ANGLE			FILE NAME: CV Boot.dft	REV
2 PL ±0.02 3 PL ±0.005			SCALE:	A
			WEIGHT:	SHEET 2 OF 3

REVISION HISTORY			
REV	DESCRIPTION	DATE	APPROVED



SECTION A-A

DRAWN	NAME	DATE	<b>PREMAC</b>	
APPROVED	Dan	05/20/13		
MATERIAL			TITLE BOOT	
TREATMENT			SIZE A4	DWG NO Boot 1
UNLESS OTHERWISE SPECIFIED DIMENSIONS ARE IN MILLIMETERS			FILE NAME: CV Boot.dft	REV A
1st ANGLE 2 PL ±0.02 3 PL ±0.005			SCALE:	WEIGHT: SHEET 3 OF 3