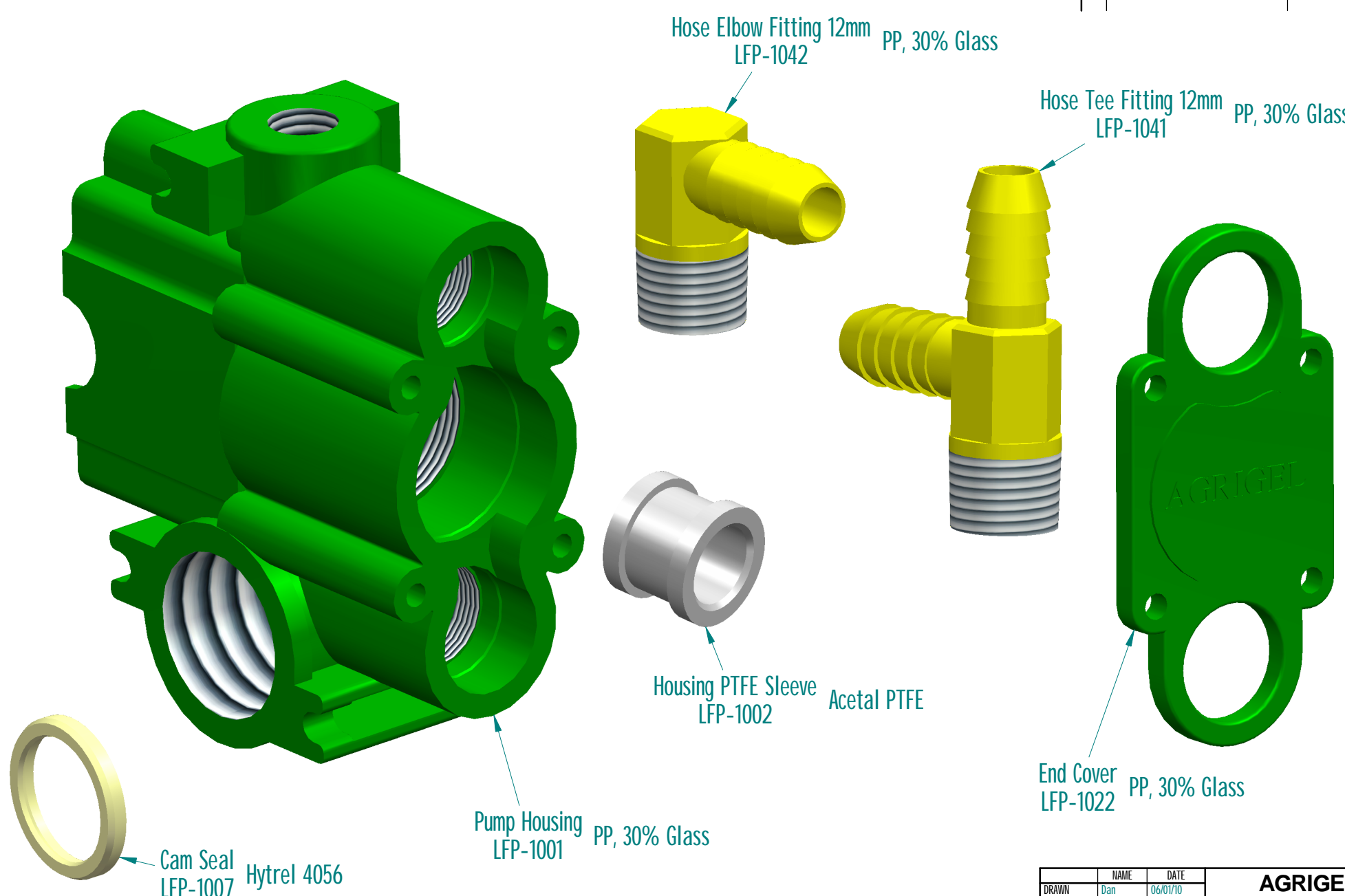
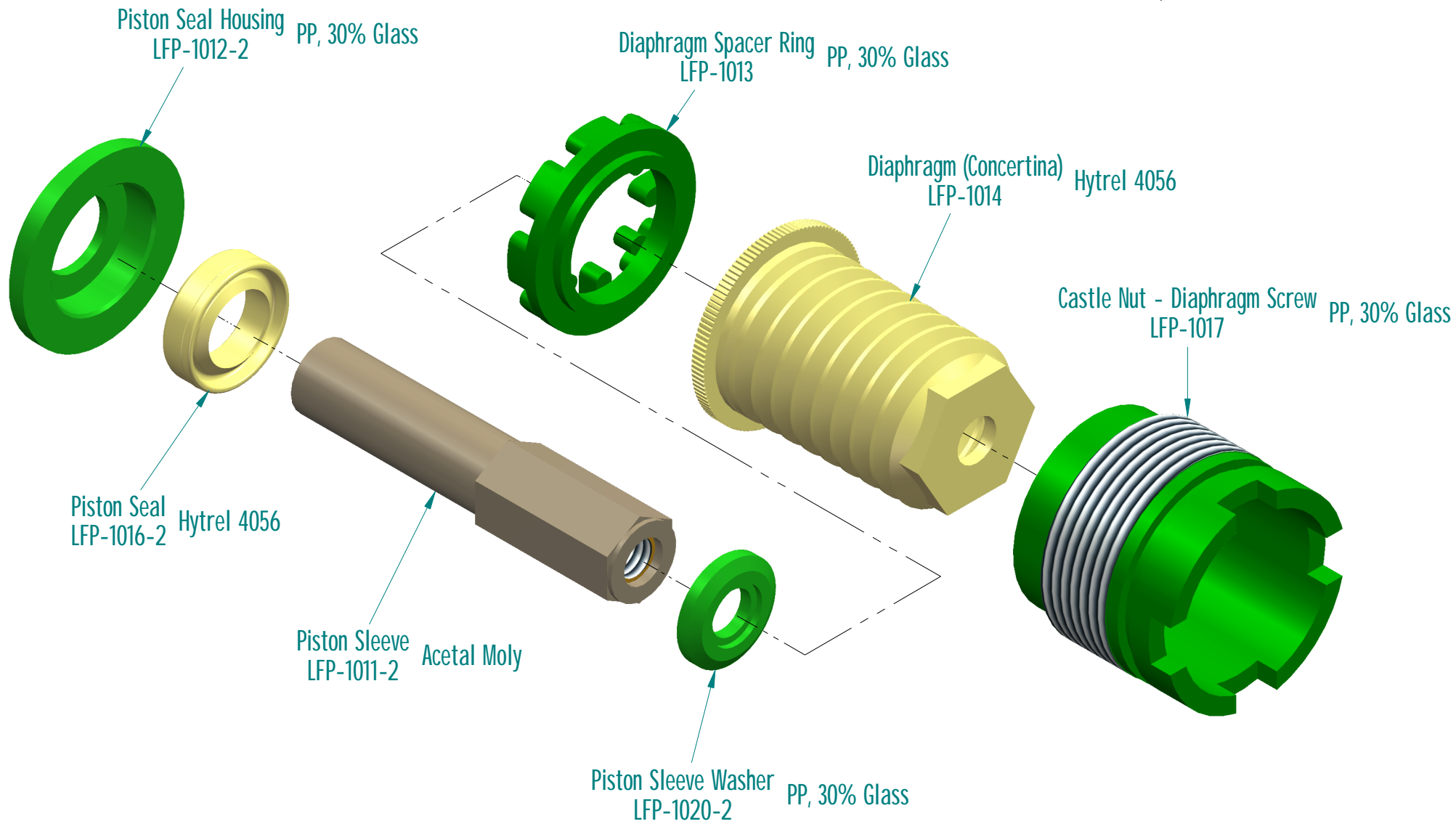


REVISION HISTORY			
REV	DESCRIPTION	DATE	APPROVED



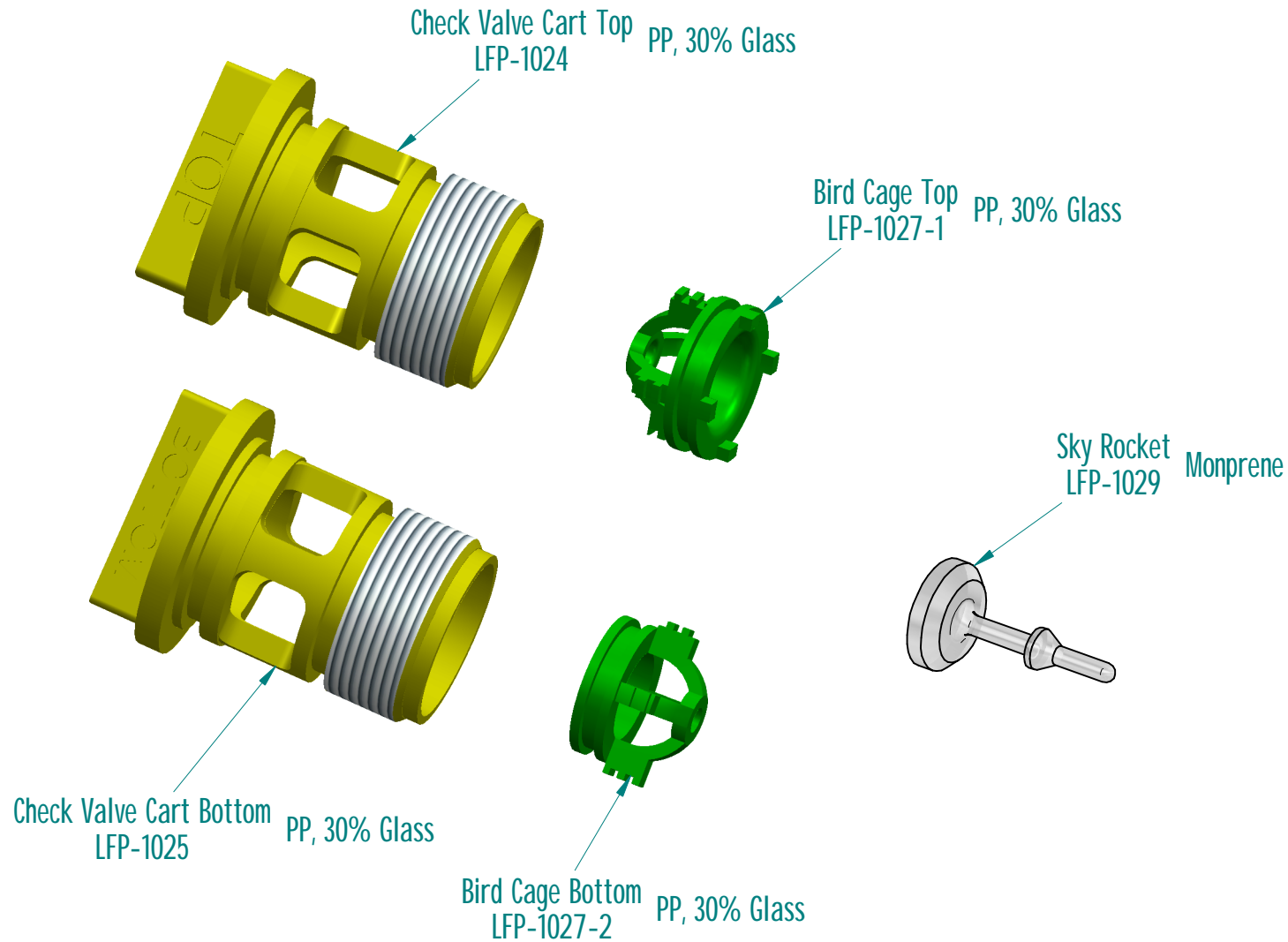
DRAWN	NAME	DATE	AGRIGEL	
APPROVED	Dan	06/07/10	TITLE	
MATERIAL			FILE NAME: Dave Parts.dft	
TREATMENT			SCALE: WEIGHT: SHEET 1 OF 9	
UNLESS OTHERWISE SPECIFIED DIMENSIONS ARE IN MILLIMETERS ANGLES ±0.1°			SIZE DWG: NO	REV
3:15 ANGLE			A4	
2 PL ±0.02 3 PL ±0.005				

REVISION HISTORY			
REV	DESCRIPTION	DATE	APPROVED



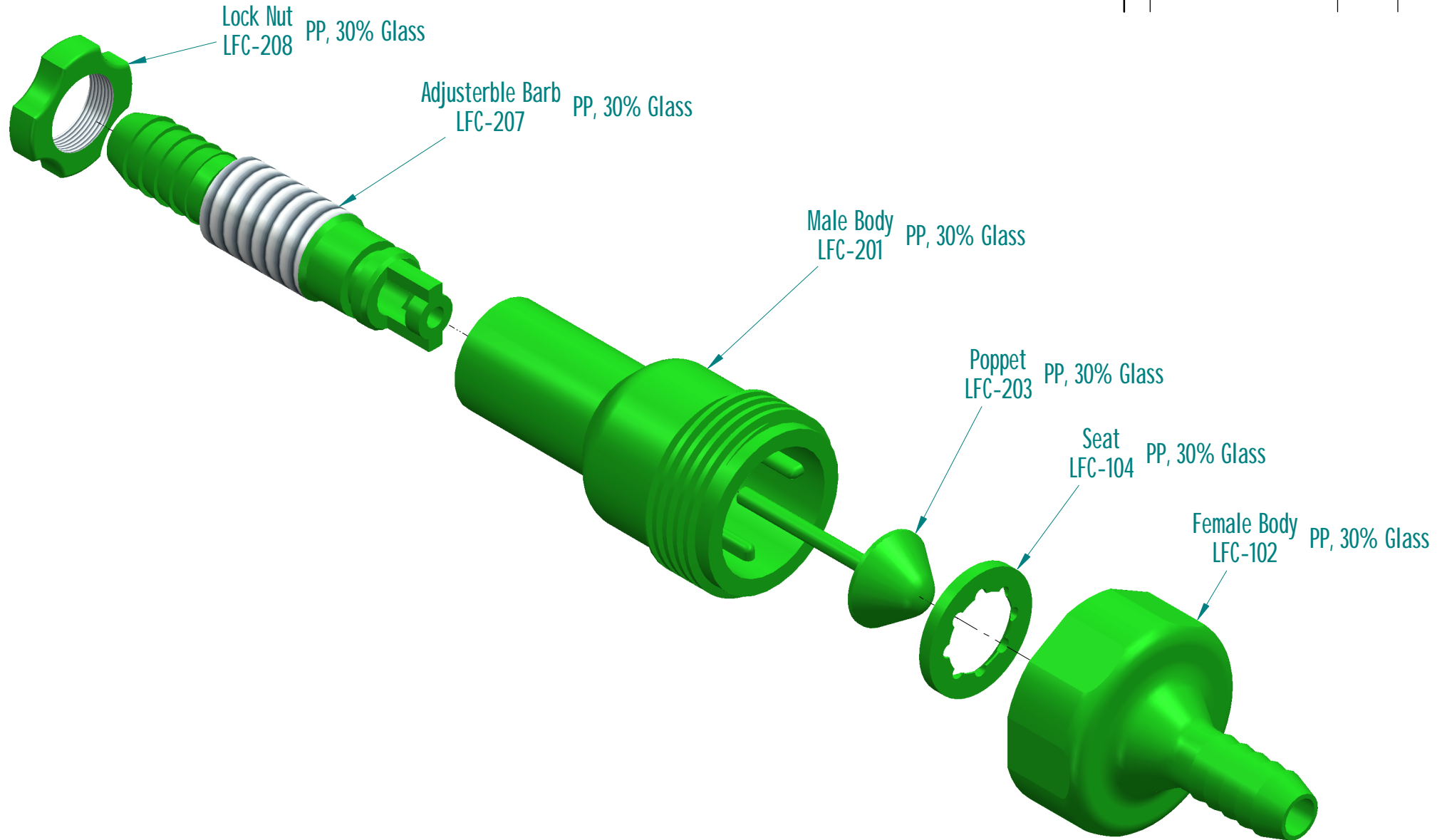
DRAWN	NAME	DATE	AGRIGEL	
APPROVED	Dan	06/07/10		
MATERIAL			TITLE	
TREATMENT				
UNLESS OTHERWISE SPECIFIED DIMENSIONS ARE IN MILLIMETERS			SIZE	DWG NO
ANGLES ±0.1°			A4	
2 PL ±0.02 3 PL ±0.005			FILE NAME: Dave Parts.dft	
			SCALE:	WEIGHT:
			SHEET 2 OF 9	

REVISION HISTORY			
REV	DESCRIPTION	DATE	APPROVED



DRAWN	NAME	DATE	AGRIGEL	
APPROVED	Dan	06/07/10	TITLE	
MATERIAL				
TREATMENT				
UNLESS OTHERWISE SPECIFIED DIMENSIONS ARE IN MILLIMETERS ANGLES ±0.1°				SIZE DWG NO A4
2 PL ±0.02 3 PL ±0.005				FILE NAME: Dave Parts.dft
SCALE:			WEIGHT:	SHEET 3 OF 9

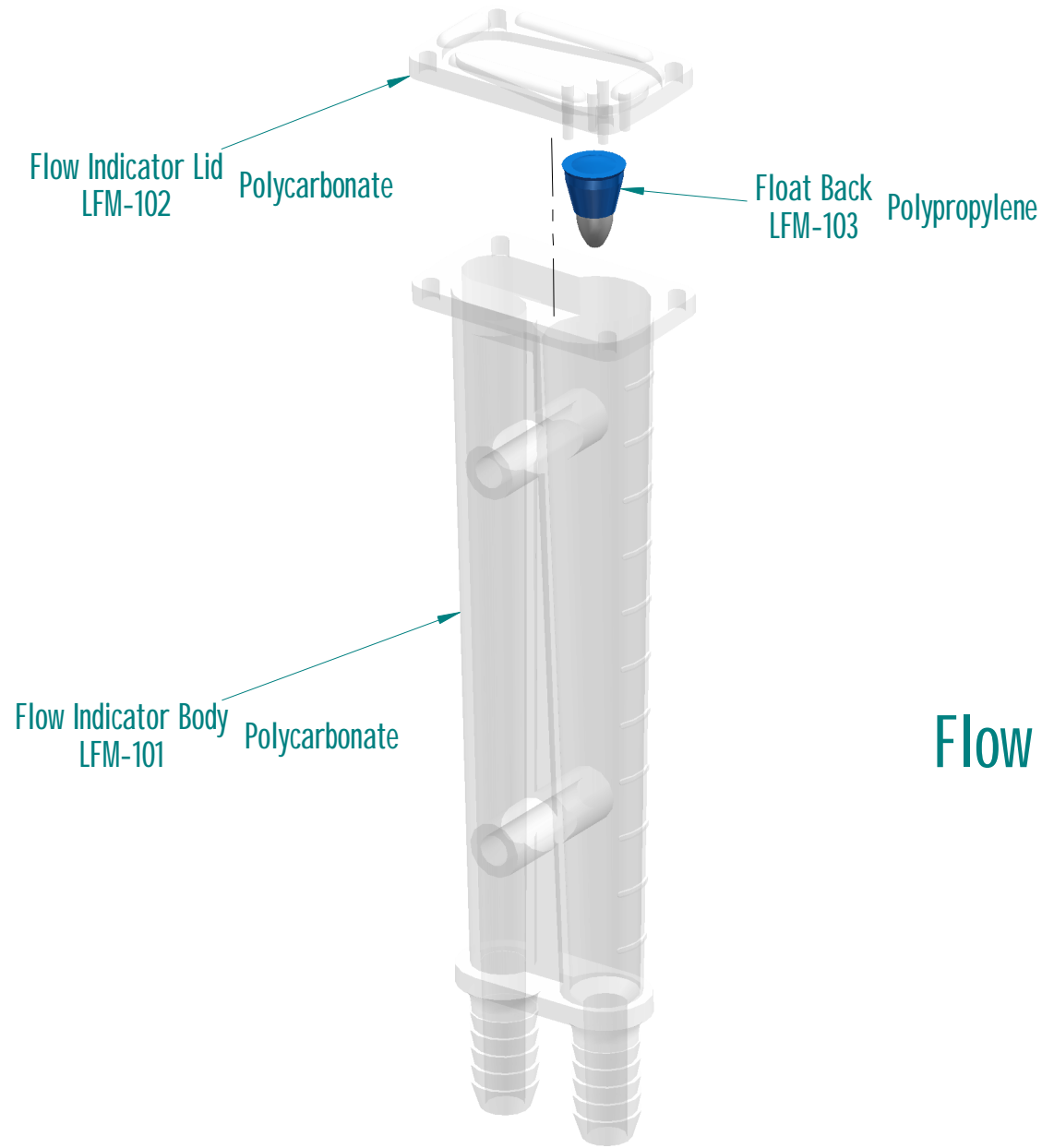
REVISION HISTORY			
REV	DESCRIPTION	DATE	APPROVED



ADJUSTABLE END OF LINE CHECK VALVE

	NAME	DATE	AGRIGEL	
DRAWN	Dan	06/07/10	TITLE	
APPROVED				
MATERIAL				
TREATMENT				
UNLESS OTHERWISE SPECIFIED DIMENSIONS ARE IN MILLIMETERS ANGLES ±0.1°			SIZE A4	DWG NO
2 PL ±0.02 3 PL ±0.005			FILE NAME: Dave Parts.dft	REV
SCALE:			WEIGHT:	SHEET 4 OF 9

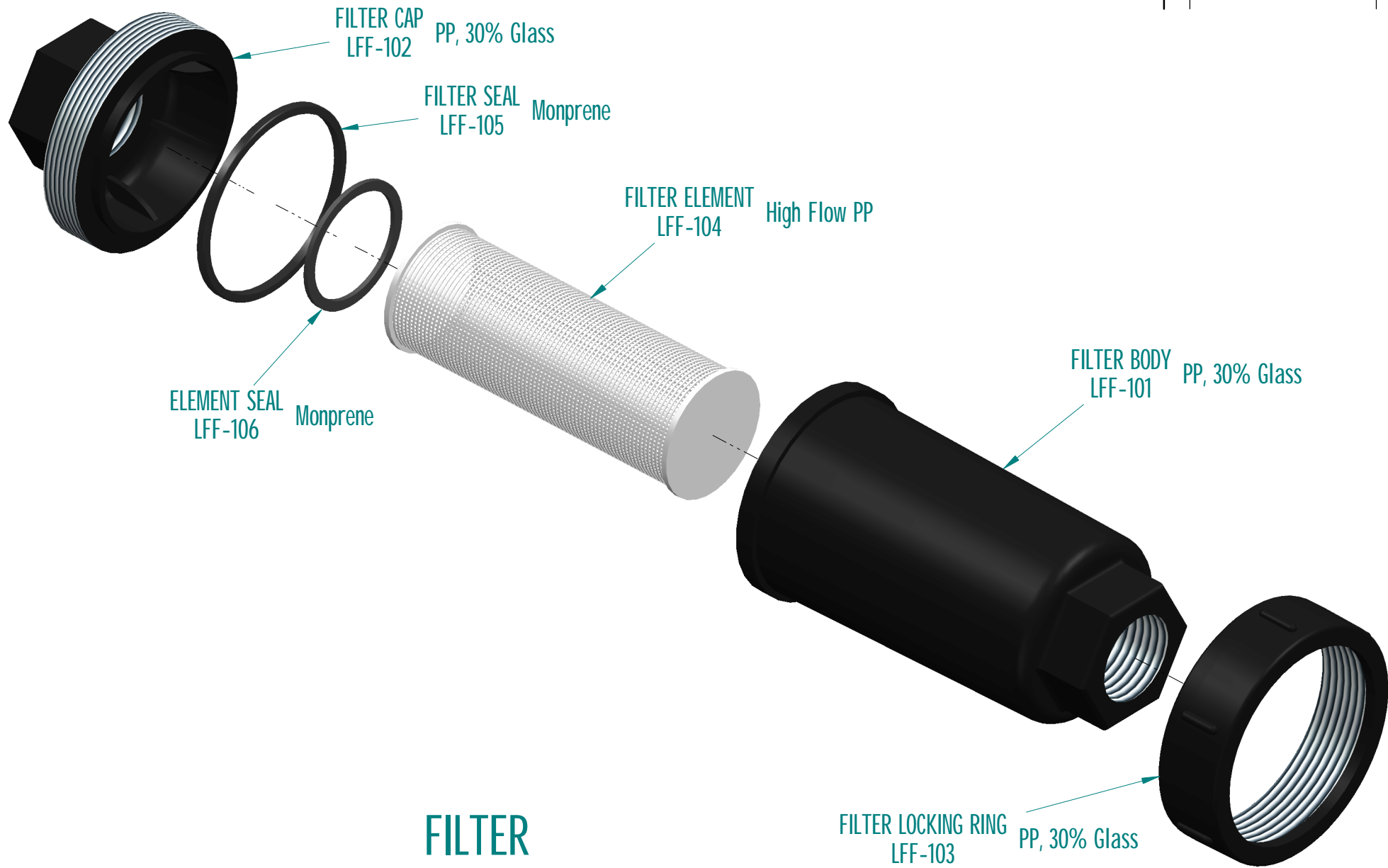
REVISION HISTORY			
REV	DESCRIPTION	DATE	APPROVED



Flow Indicator

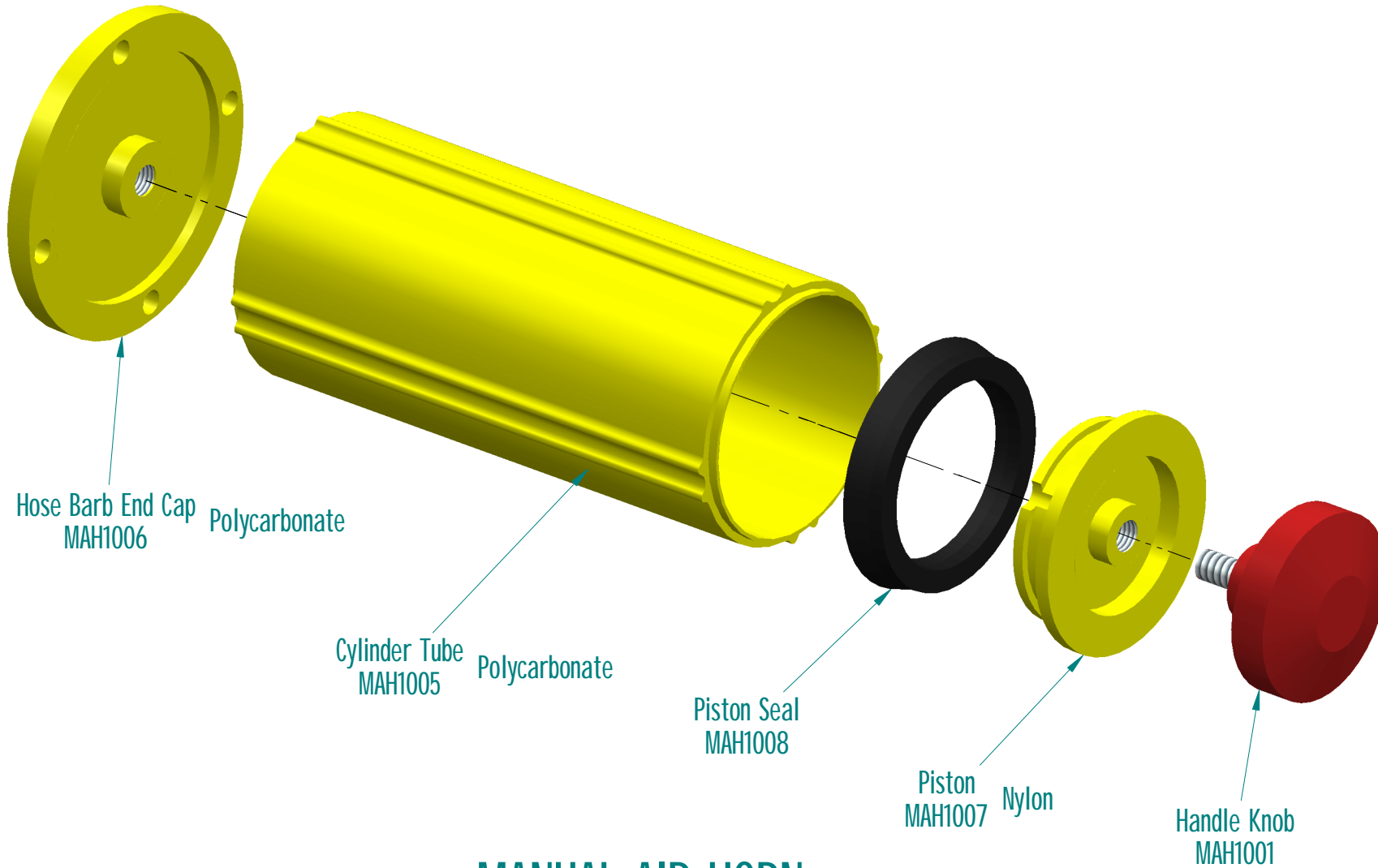
DRAWN	NAME	DATE	AGRIGEL	
APPROVED	Dan	06/07/10	TITLE	
MATERIAL			FILE NAME: Dave Parts.dft	
TREATMENT			SCALE:	WEIGHT:
UNLESS OTHERWISE SPECIFIED DIMENSIONS ARE IN MILLIMETERS ANGLES $\pm 0.1^\circ$			SIZE A4	DWG NO
2 PL ± 0.02 3 PL ± 0.005			SCALE:	WEIGHT:
			SHEET 5 OF 9	

REVISION HISTORY			
REV	DESCRIPTION	DATE	APPROVED



	NAME	DATE	AGRIGEL	
DRAWN	Dan	06/07/10	TITLE	
APPROVED				
MATERIAL				
TREATMENT				
UNLESS OTHERWISE SPECIFIED DIMENSIONS ARE IN MILLIMETERS ANGLES ±0.1°			SIZE A4	DWG NO
2 PL ±0.02 3 PL ±0.005			FILE NAME: Dave Parts.dft	REV
SCALE:			WEIGHT:	SHEET 6 OF 9

REVISION HISTORY			
REV	DESCRIPTION	DATE	APPROVED



MANUAL AIR HORN

	NAME	DATE	AGRIGEL	
DRAWN	Dan	06/07/10	TITLE	
APPROVED				
MATERIAL				
TREATMENT				
UNLESS OTHERWISE SPECIFIED DIMENSIONS ARE IN MILLIMETERS ANGLES ±0.1°			SIZE A4	DWG NO
2 PL ±0.02 3 PL ±0.005			FILE NAME: Dave Parts.dft	REV
SCALE:			WEIGHT:	SHEET 7 OF 9