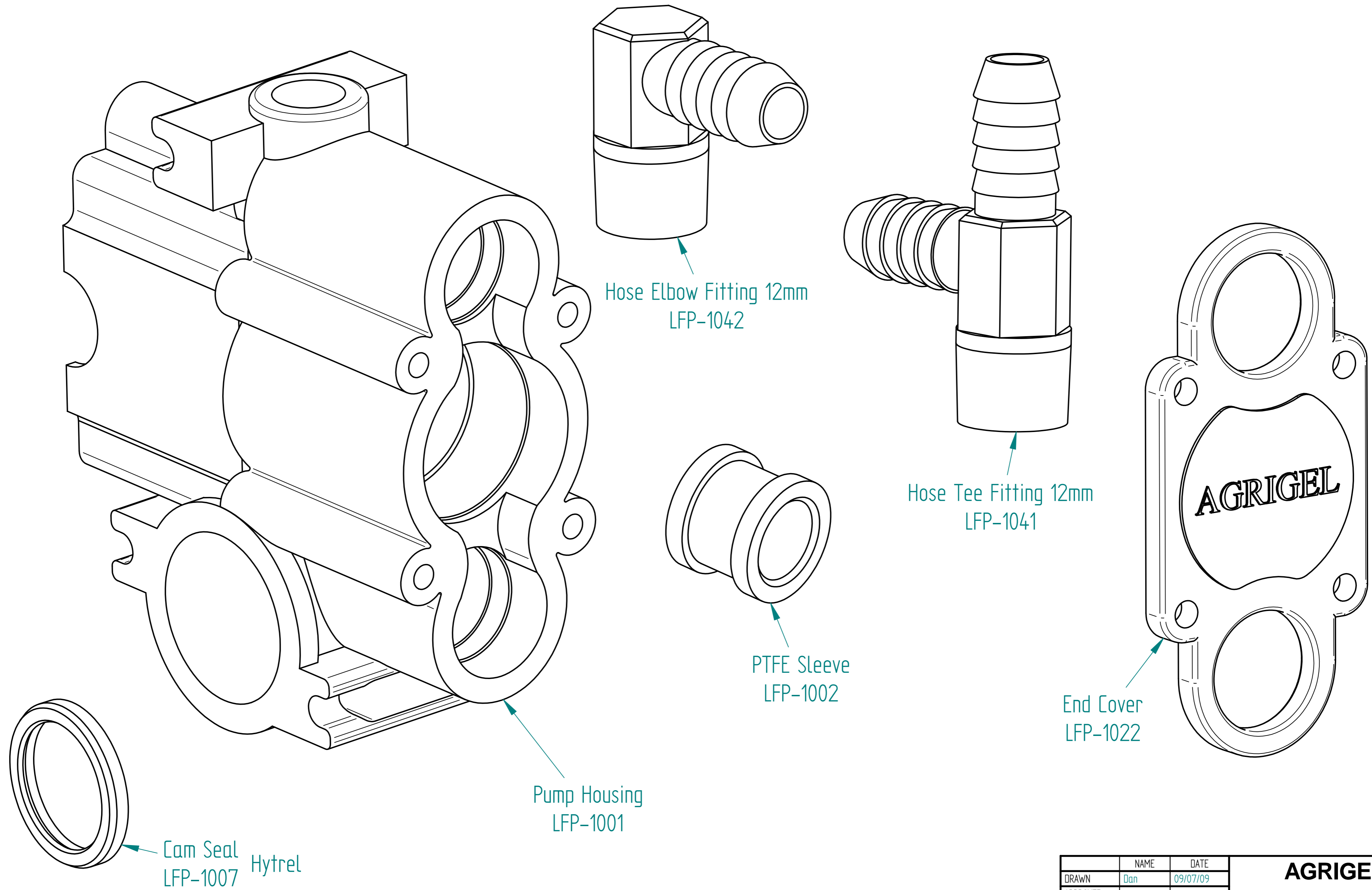
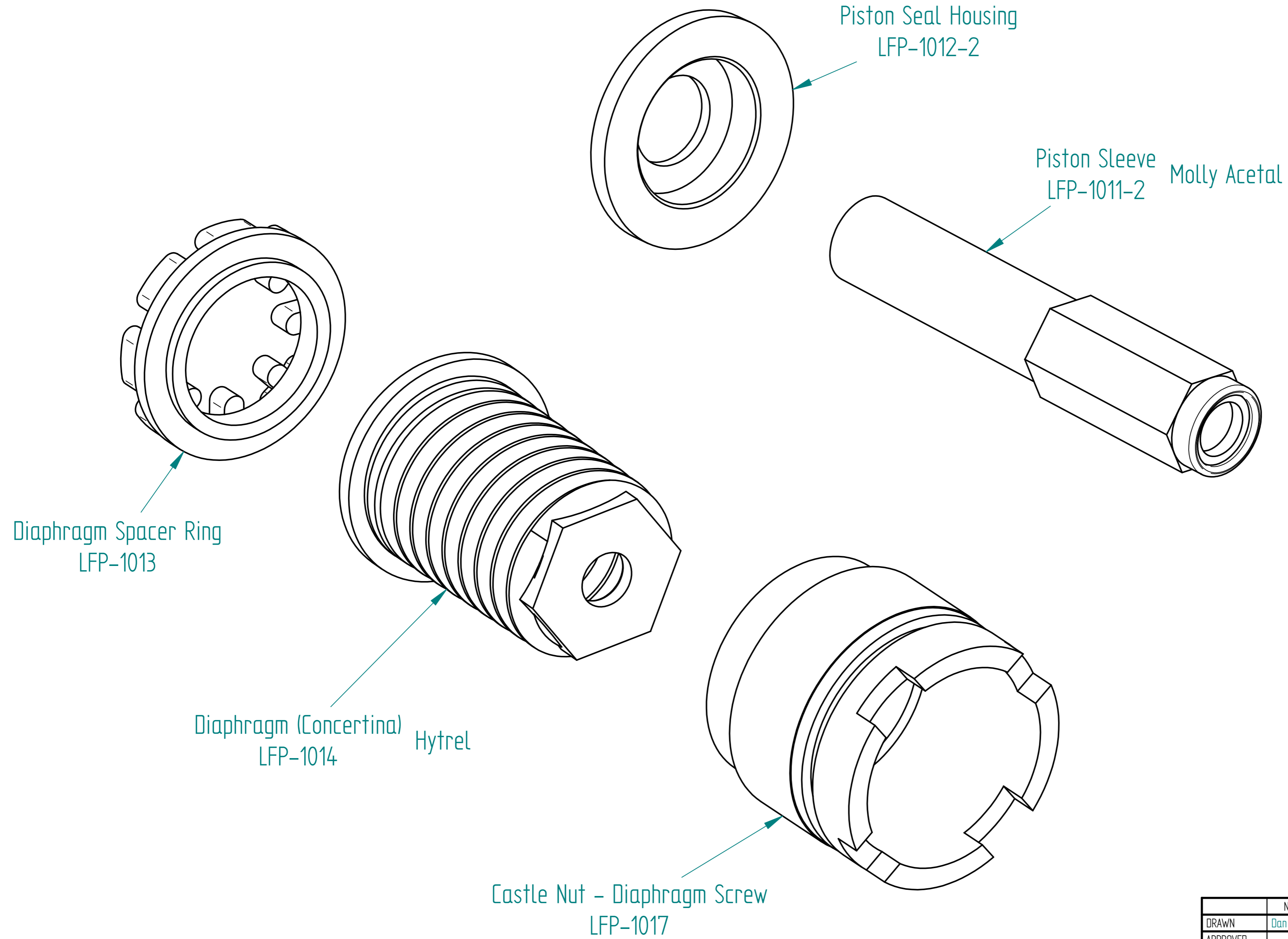


REVISION HISTORY			
REV	DESCRIPTION	DATE	APPROVED



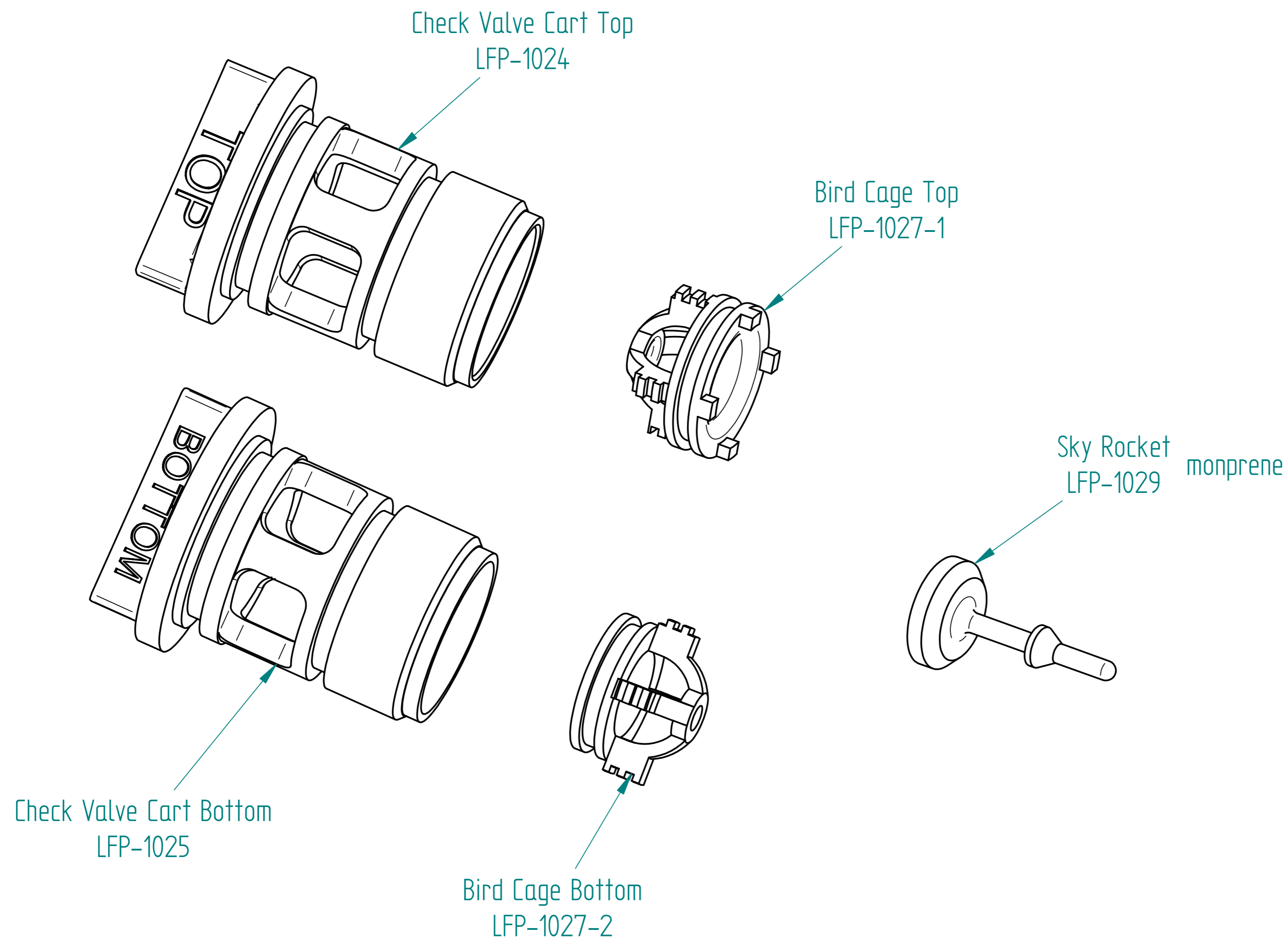
	NAME	DATE	AGRIGEL	
DRAWN	Dan	09/07/09		
APPROVED				
MATERIAL				
TREATMENT			TITLE	
UNLESS OTHERWISE SPECIFIED DIMENSIONS ARE IN MILLIMETERS			SIZE A4	DWG NO
1st ANGLE ANGLES ±0.1°			FILE NAME: Dave Parts.dft	
2 PL ±0.02 3 PL ±0.005			SCALE:	WEIGHT:
			SHEET 1 OF 12	

REVISION HISTORY			
REV	DESCRIPTION	DATE	APPROVED



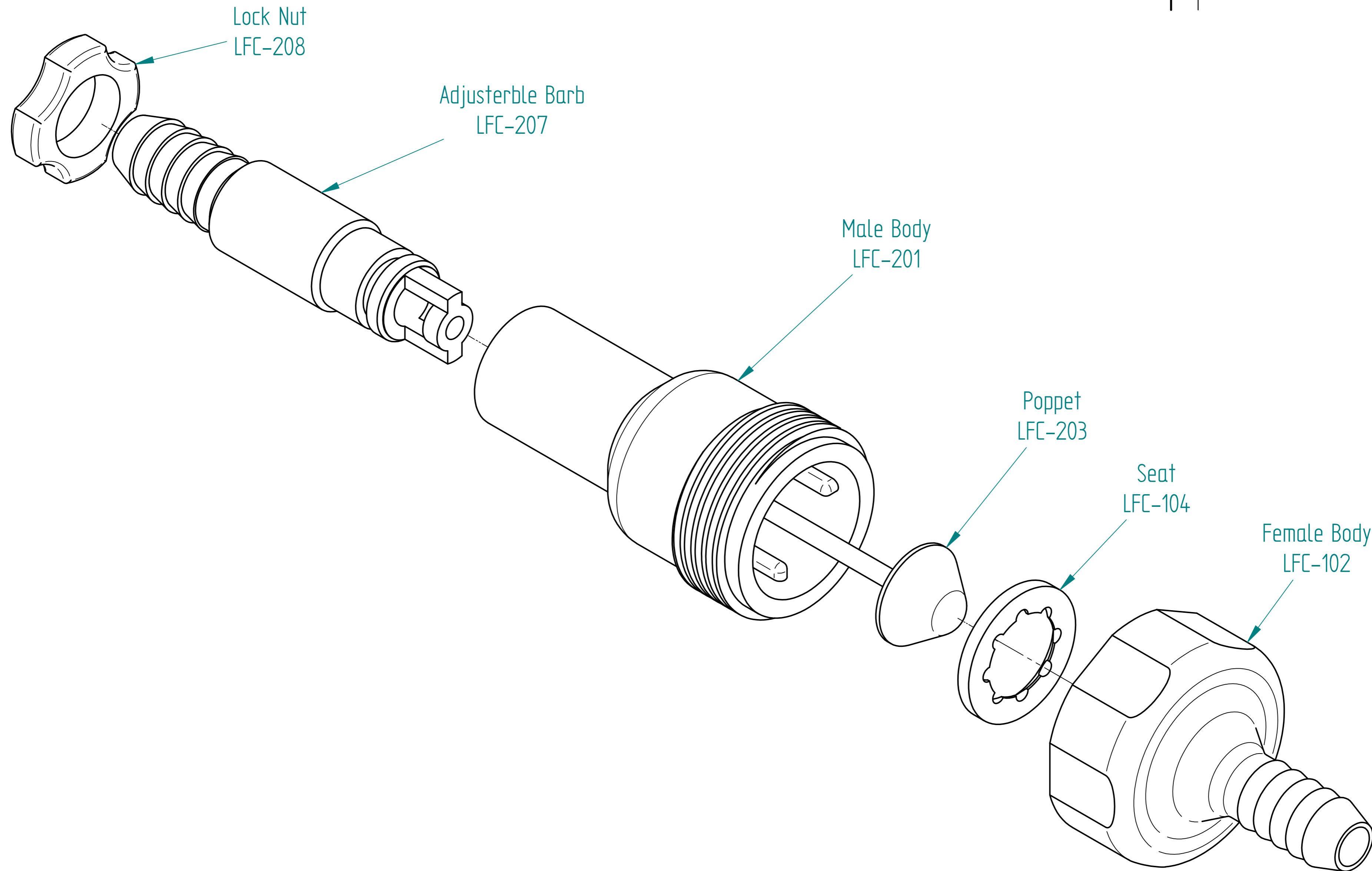
	NAME	DATE	AGRIGEL	
DRAWN	Dan	09/07/09		
APPROVED				
MATERIAL				
TREATMENT			TITLE	
UNLESS OTHERWISE SPECIFIED DIMENSIONS ARE IN MILLIMETERS			SIZE A4	DWG NO
1st ANGLE ANGLES ±0.1°			FILE NAME: Dave Parts.dft	REV
2 PL ±0.02 3 PL ±0.005			SCALE:	WEIGHT:
			SHEET 2 OF 12	

REVISION HISTORY			
REV	DESCRIPTION	DATE	APPROVED



	NAME	DATE	AGRIGEL	
DRAWN	Dan	09/07/09		
APPROVED				
MATERIAL				
TREATMENT			TITLE	
UNLESS OTHERWISE SPECIFIED DIMENSIONS ARE IN MILLIMETERS			SIZE A4	DWG NO
1st ANGLE ANGLES ±0.1°			FILE NAME: Dave Parts.dft	REV
2 PL ±0.02 3 PL ±0.005			SCALE:	WEIGHT:
			SHEET 3 OF 12	

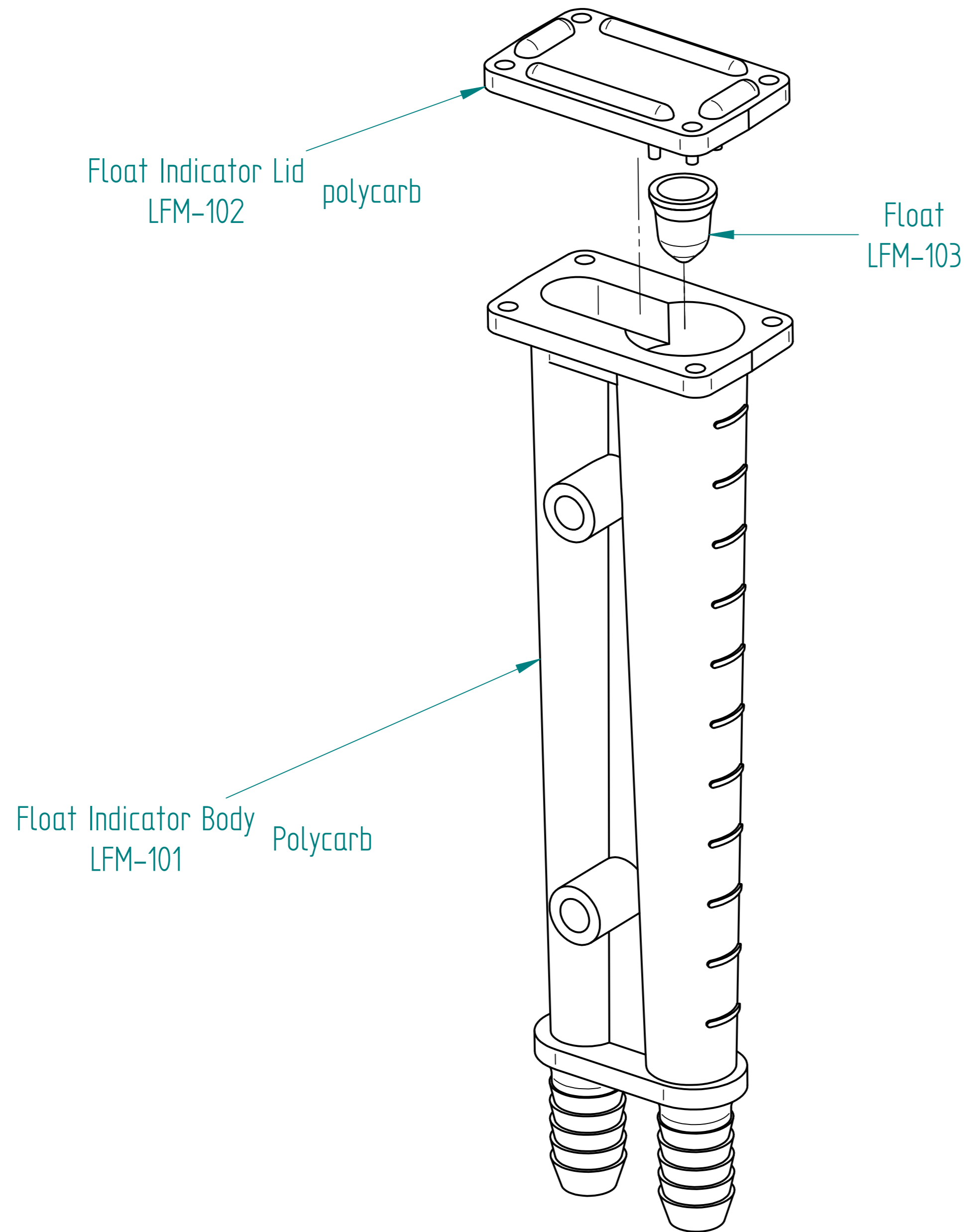
REVISION HISTORY			
REV	DESCRIPTION	DATE	APPROVED



ADJUSTABLE END OF LINE CHECK VALVE

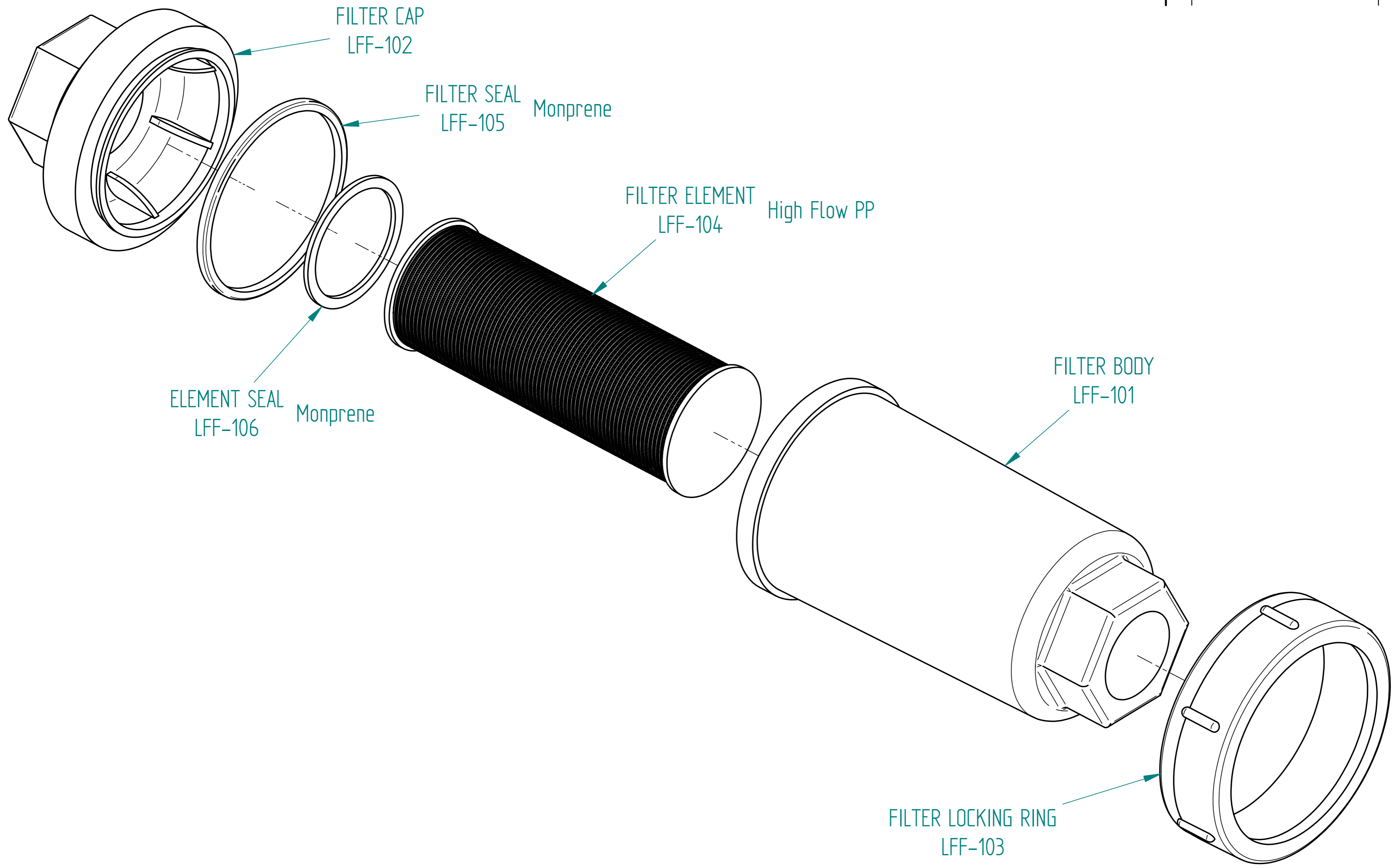
	NAME	DATE	AGRIGEL	
DRAWN	Dan	09/07/09		
APPROVED				
MATERIAL				
TREATMENT			TITLE	
UNLESS OTHERWISE SPECIFIED DIMENSIONS ARE IN MILLIMETERS			SIZE A4	DWG NO
1st ANGLE ANGLES ±0.1°			FILE NAME: Dave Parts.dft	REV
2 PL ±0.02 3 PL ±0.005			SCALE:	WEIGHT:
				SHEET 4 OF 12

REVISION HISTORY			
REV	DESCRIPTION	DATE	APPROVED



	NAME	DATE	AGRIGEL	
DRAWN	Dan	09/07/09		
APPROVED				
MATERIAL				
TREATMENT			TITLE	
UNLESS OTHERWISE SPECIFIED DIMENSIONS ARE IN MILLIMETERS			SIZE A4	DWG NO
1 st ANGLE ANGLES ±0.1°			FILE NAME: Dave Parts.dft	
2 PL ±0.02 3 PL ±0.005			SCALE:	WEIGHT:
			SHEET 5 OF 12	

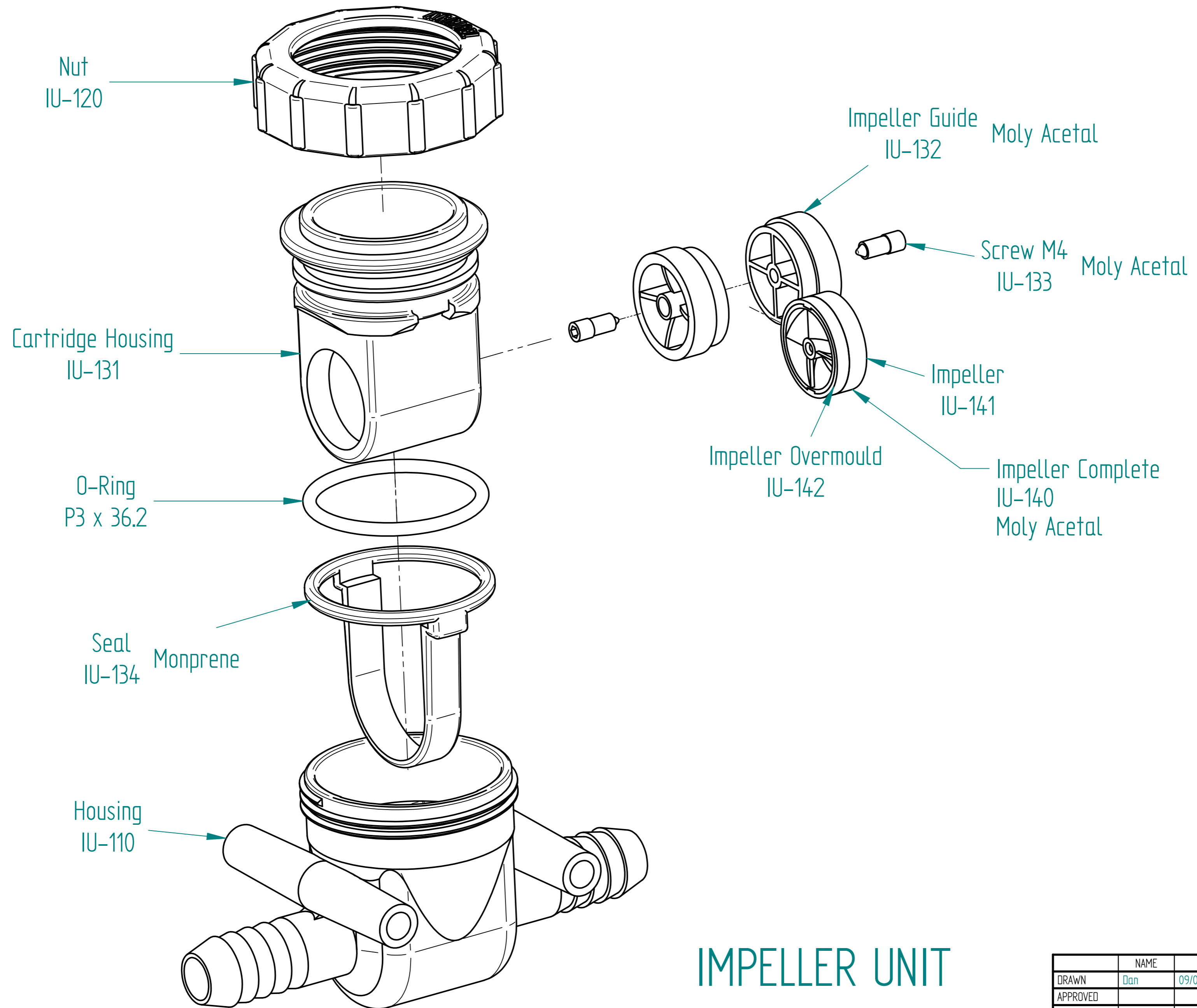
REVISION HISTORY			
REV	DESCRIPTION	DATE	APPROVED



FILTER

DRAWN	NAME	DATE	AGRIGEL	
APPROVED	Dan	09/07/09	TITLE	
MATERIAL			SIZE	DWG NO
TREATMENT			A4	REV
UNLESS OTHERWISE SPECIFIED DIMENSIONS ARE IN MILLIMETERS			FILE NAME: Dave Parts.dft	
1st ANGLE 2 PL ±0.02 3 PL ±0.005			SCALE:	WEIGHT: SHEET 6 OF 12

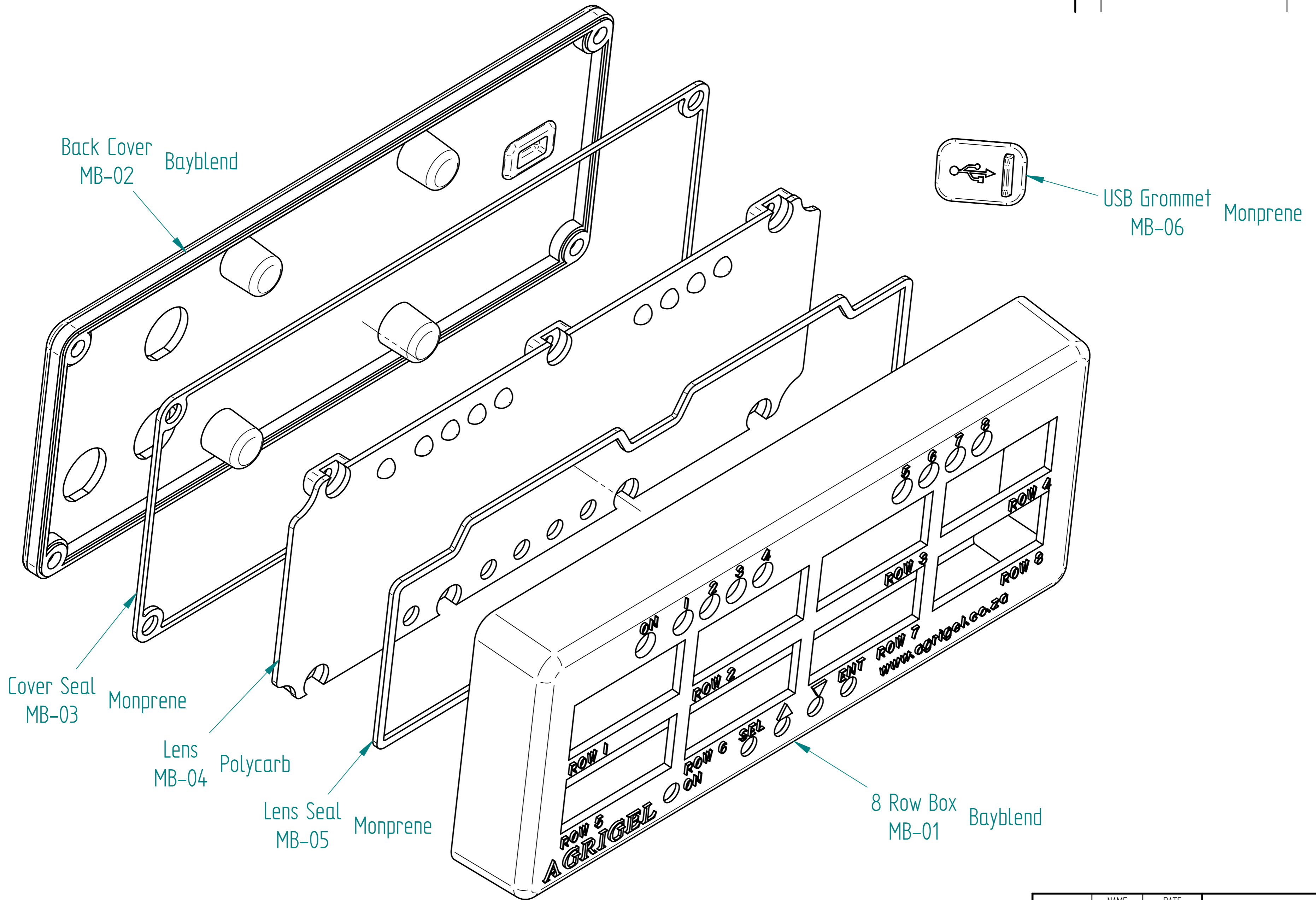
REVISION HISTORY			
REV	DESCRIPTION	DATE	APPROVED



IMPELLER UNIT

	NAME	DATE	AGRIGEL	
DRAWN	Dan	09/07/09		
APPROVED			TITLE	
MATERIAL				
TREATMENT				
UNLESS OTHERWISE SPECIFIED DIMENSIONS ARE IN MILLIMETERS			SIZE A4	DWG NO
1st ANGLE ANGLES ±0.1°			REV	
2 PL ±0.02 3 PL ±0.005			FILE NAME: Dave Parts.dft	
SCALE:		WEIGHT:	SHEET 7 OF 12	

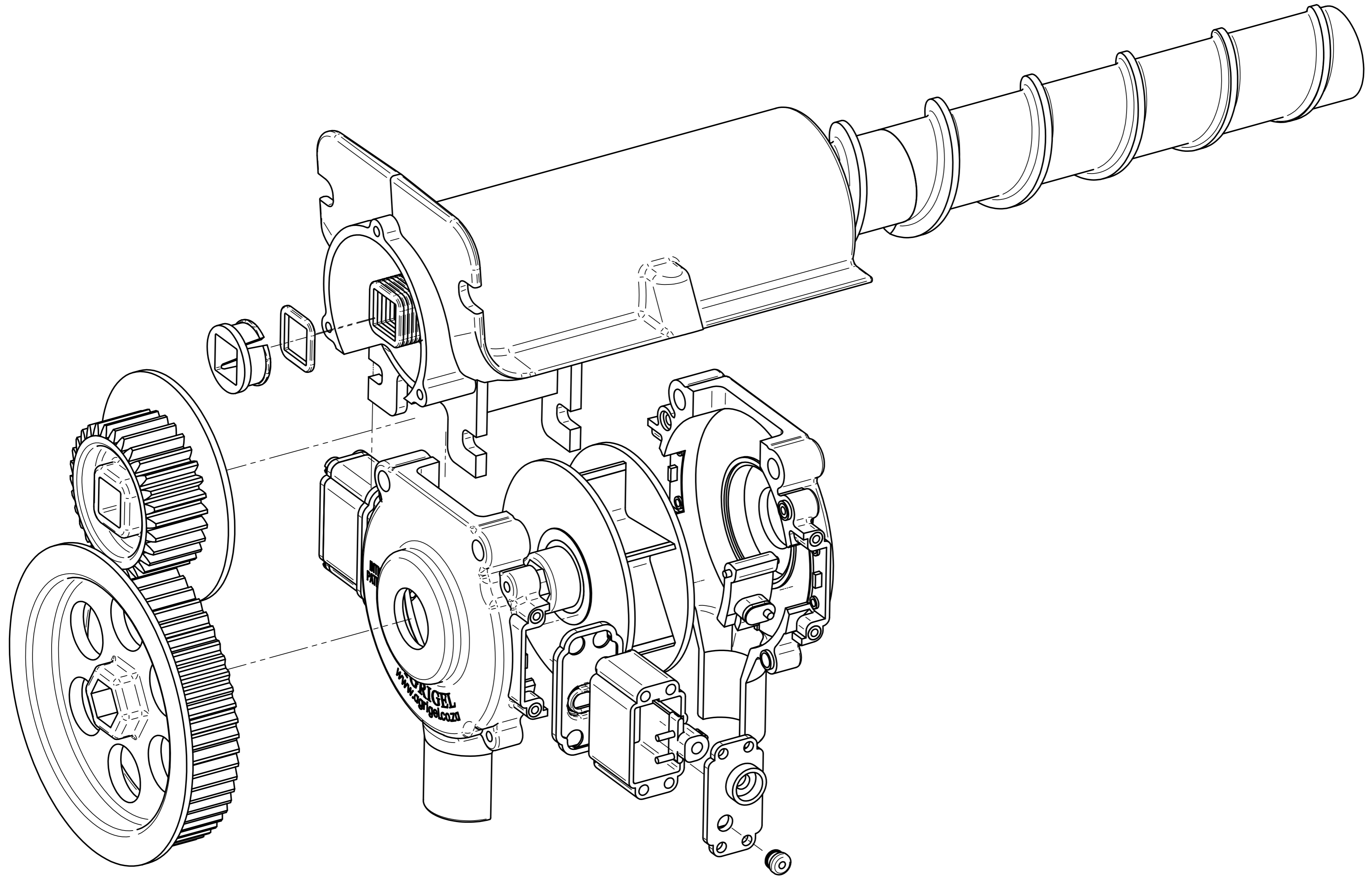
REVISION HISTORY			
REV	DESCRIPTION	DATE	APPROVED



8 ROW MONITOR BOX

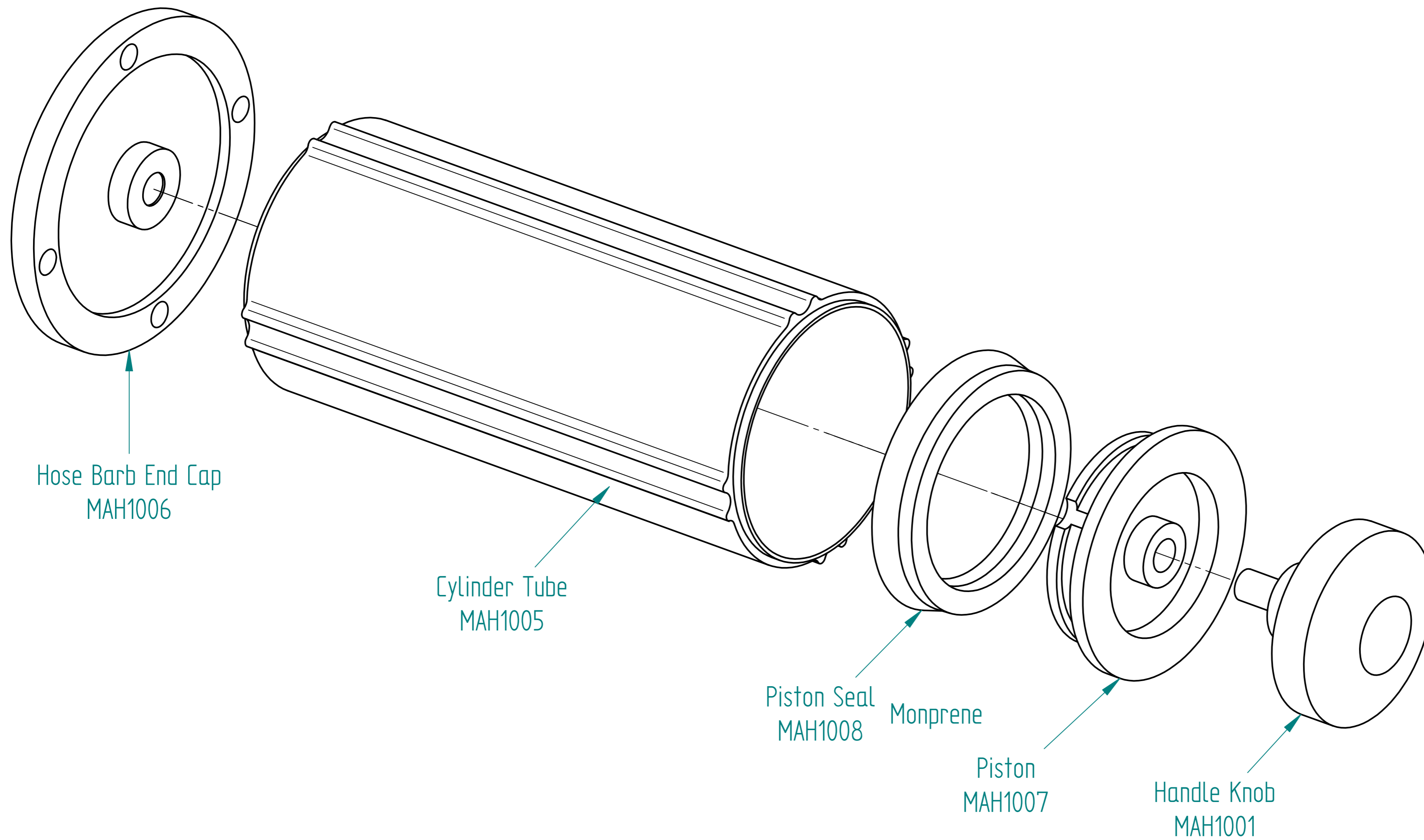
	NAME	DATE	AGRIGEL	
DRAWN	Dan	09/07/09		
APPROVED			TITLE	
MATERIAL			SIZE	DWG NO
TREATMENT			A4	
UNLESS OTHERWISE SPECIFIED DIMENSIONS ARE IN MILLIMETERS			FILE NAME: Dave Parts.dft	REV
1st ANGLE 2 PL ±0.02 3 PL ±0.005			SCALE:	WEIGHT:
			SHEET 8 OF 12	

REVISION HISTORY			
REV	DESCRIPTION	DATE	APPROVED



	NAME	DATE	AGRIGEL	
DRAWN	Dan	09/07/09		
APPROVED				
MATERIAL				
TREATMENT			TITLE	
UNLESS OTHERWISE SPECIFIED DIMENSIONS ARE IN MILLIMETERS			SIZE A4	DWG NO
1st ANGLE ANGLES ±0.1°			FILE NAME: Dave Parts.dft	REV
2 PL ±0.02 3 PL ±0.005			SCALE:	WEIGHT:
				SHEET 9 OF 12

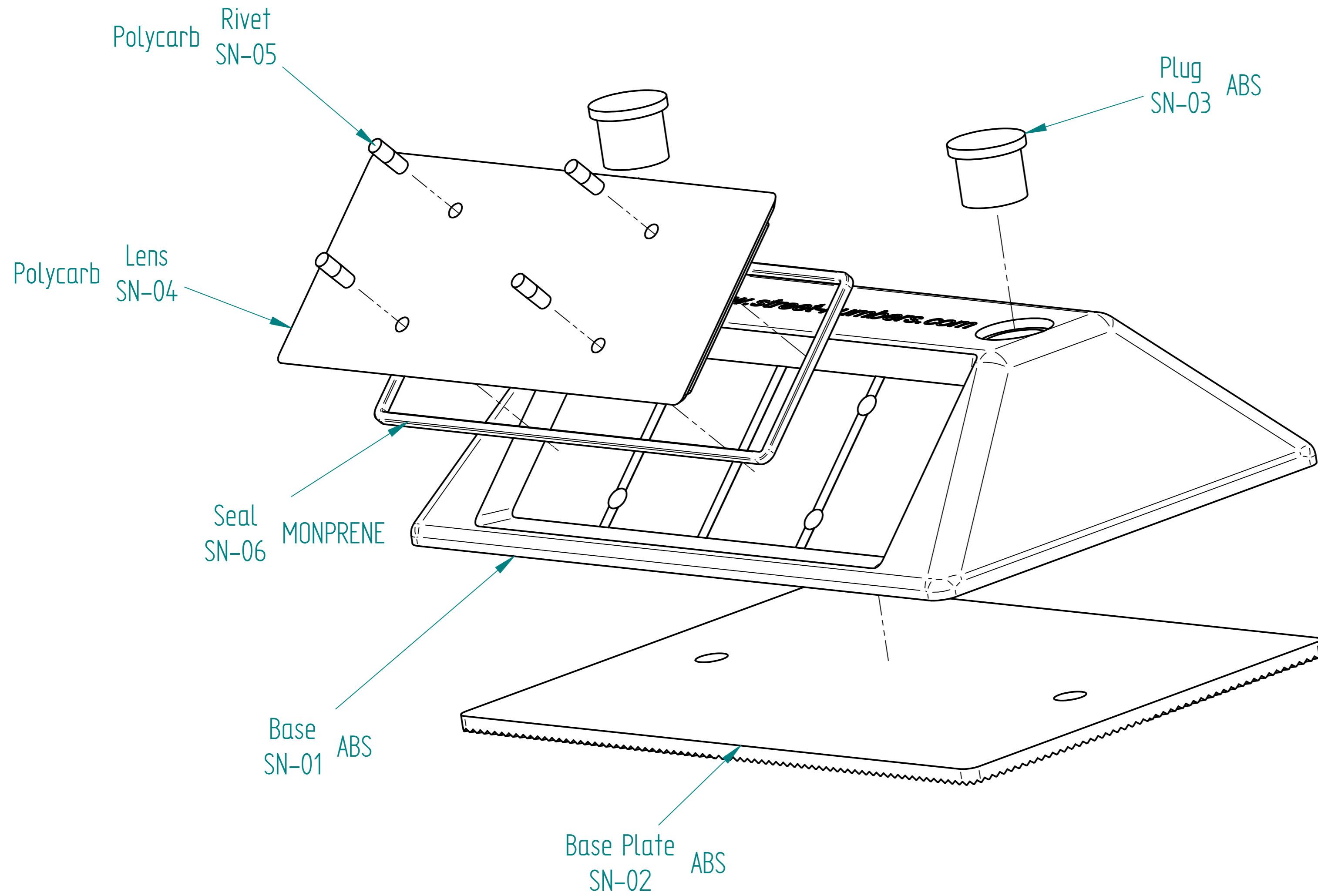
REVISION HISTORY			
REV	DESCRIPTION	DATE	APPROVED



MANUAL AIR HORN

	NAME	DATE	AGRIGEL	
DRAWN	Dan	09/07/09		
APPROVED			TITLE	
MATERIAL				
TREATMENT				
UNLESS OTHERWISE SPECIFIED DIMENSIONS ARE IN MILLIMETERS			SIZE A4	DWG NO
1st ANGLE ANGLES ±0.1°			FILE NAME: Dave Parts.dft	
2 PL ±0.02 3 PL ±0.005			SCALE:	WEIGHT: SHEET 10 OF 12

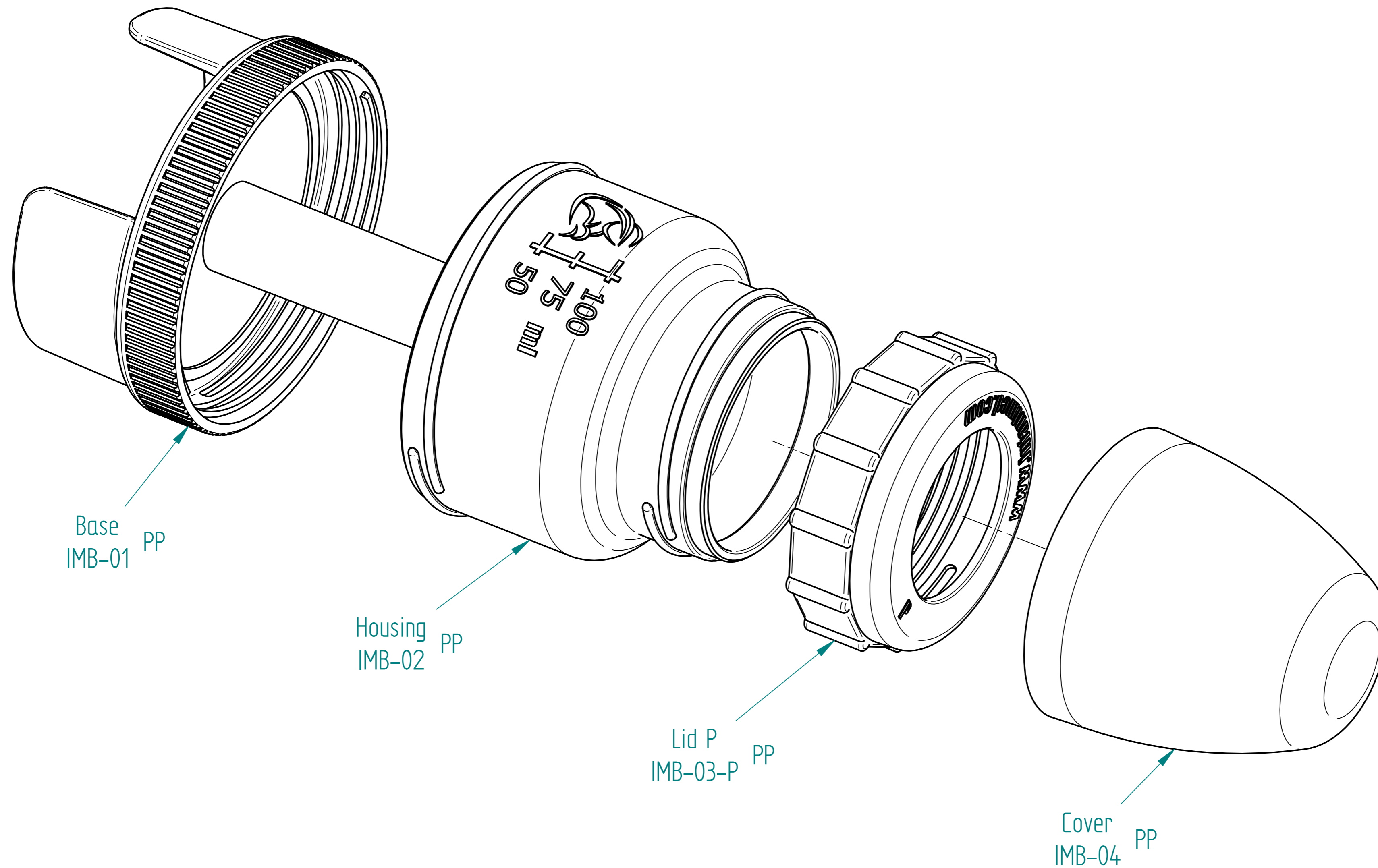
REVISION HISTORY			
REV	DESCRIPTION	DATE	APPROVED



STREET NUMBER SIGN

	NAME	DATE	AGRIGEL	
DRAWN	Dan	09/07/09		
APPROVED				
MATERIAL				
TREATMENT			TITLE	
UNLESS OTHERWISE SPECIFIED DIMENSIONS ARE IN MILLIMETERS			SIZE A4	DWG NO
1 st ANGLE ANGLES ±0.1°			FILE NAME: Dave Parts.dft	REV
2 PL ±0.02 3 PL ±0.005			SCALE:	WEIGHT:
			SHEET 11 OF 12	

REVISION HISTORY			
REV	DESCRIPTION	DATE	APPROVED



Base
IMB-01 PP

Housing
IMB-02 PP

Lid P
IMB-03-P PP

Cover
IMB-04 PP

Infant Med Bottle

	NAME	DATE	AGRIGEL	
DRAWN	Dan	09/07/09		
APPROVED				
MATERIAL				
TREATMENT			TITLE	
UNLESS OTHERWISE SPECIFIED DIMENSIONS ARE IN MILLIMETERS			SIZE A4	DWG NO
1st ANGLE ANGLES ±0.1°			FILE NAME: Dave Parts.dft	REV
2 PL ±0.02 3 PL ±0.005			SCALE:	WEIGHT:
			SHEET 12 OF 12	