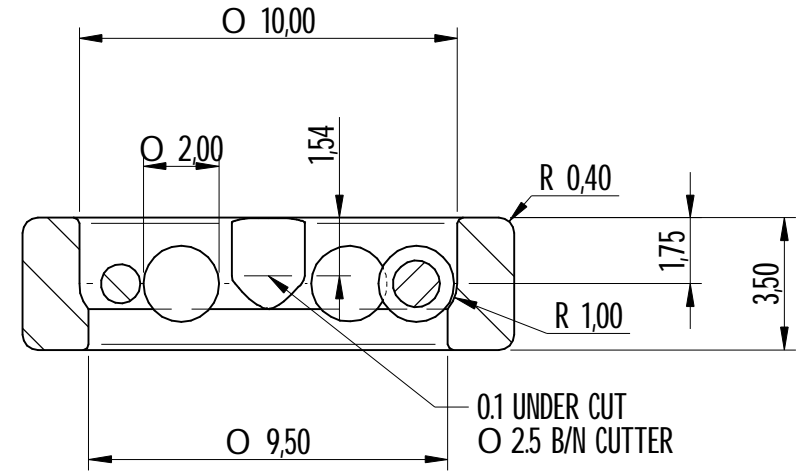
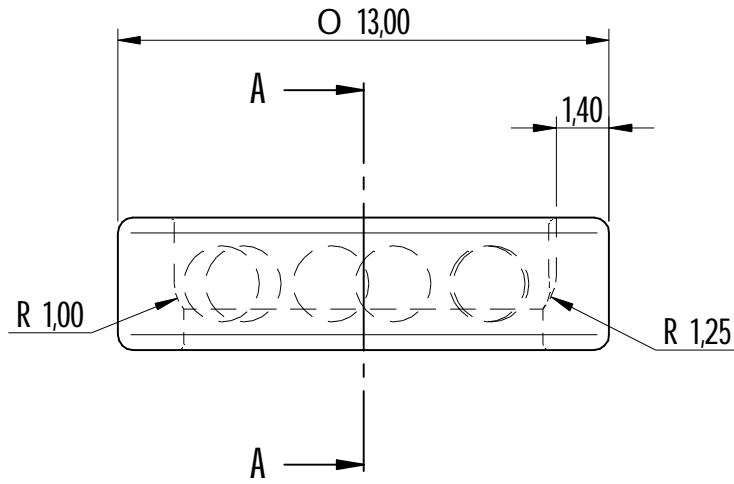
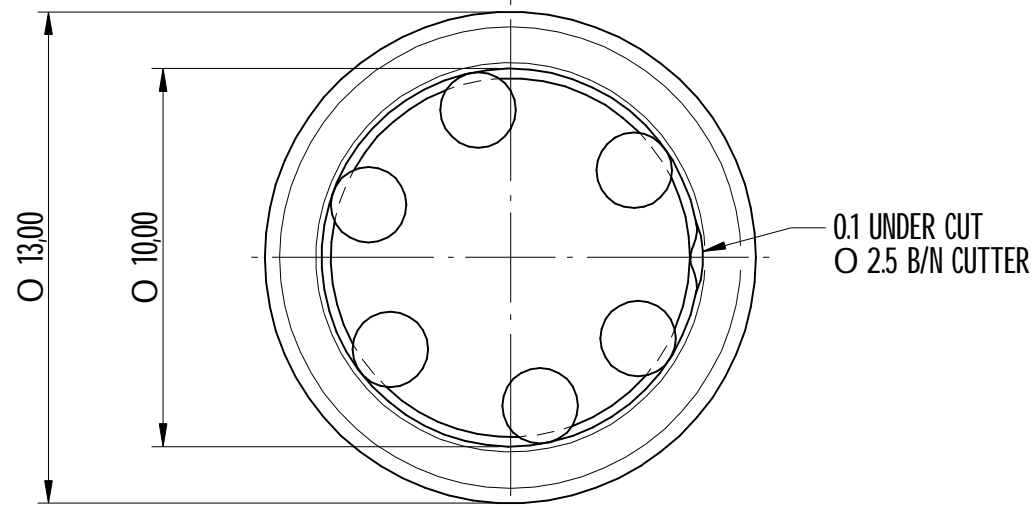


REVISION HISTORY			
REV	DESCRIPTION	DATE	APPROVED



SECTION A-A



BEARING WIND SPEED

	NAME	DATE	AGRIGEL	
DRAWN	Dan	04/03/21	TITLE	
APPROVED				
MATERIAL				
TREATMENT				
UNLESS OTHERWISE SPECIFIED DIMENSIONS ARE IN MILLIMETERS ANGLES ±0.1°			SIZE A4	DWG NO
2 PL ±0.02 3 PL ±0.005			FILE NAME: Wind_Sensor.dft	REV
SCALE:		WEIGHT:	SHEET 4 OF 5	