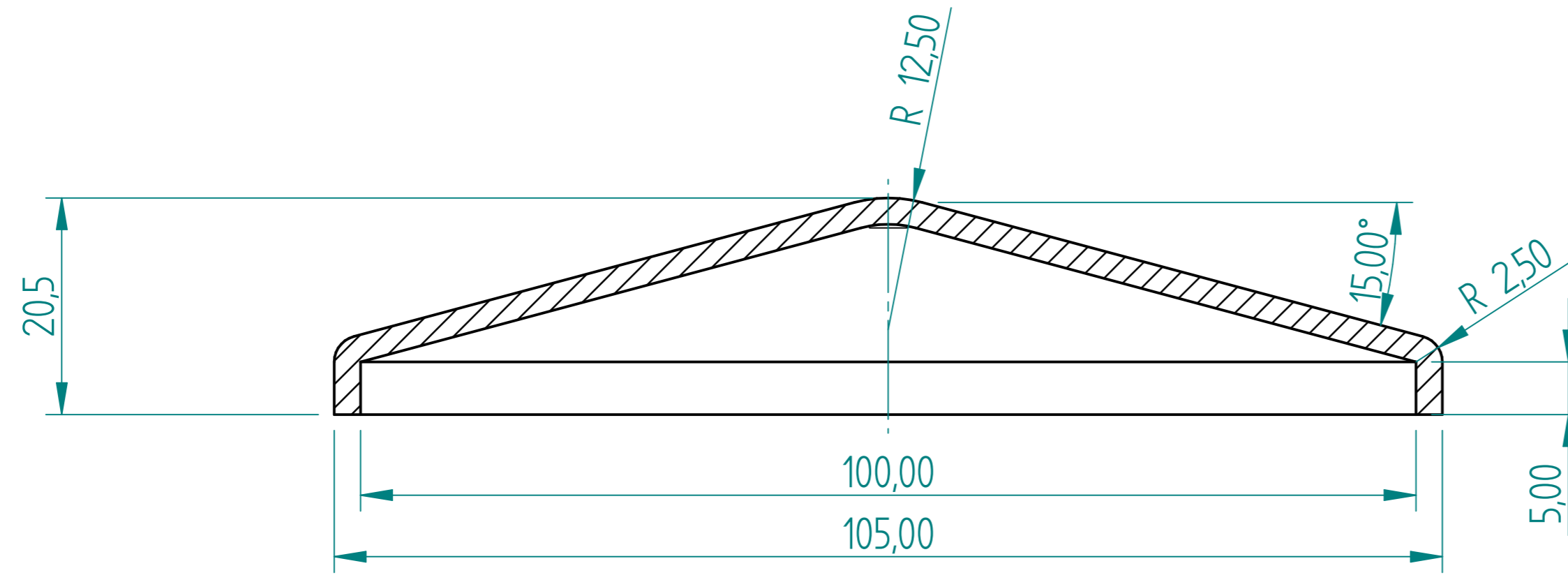
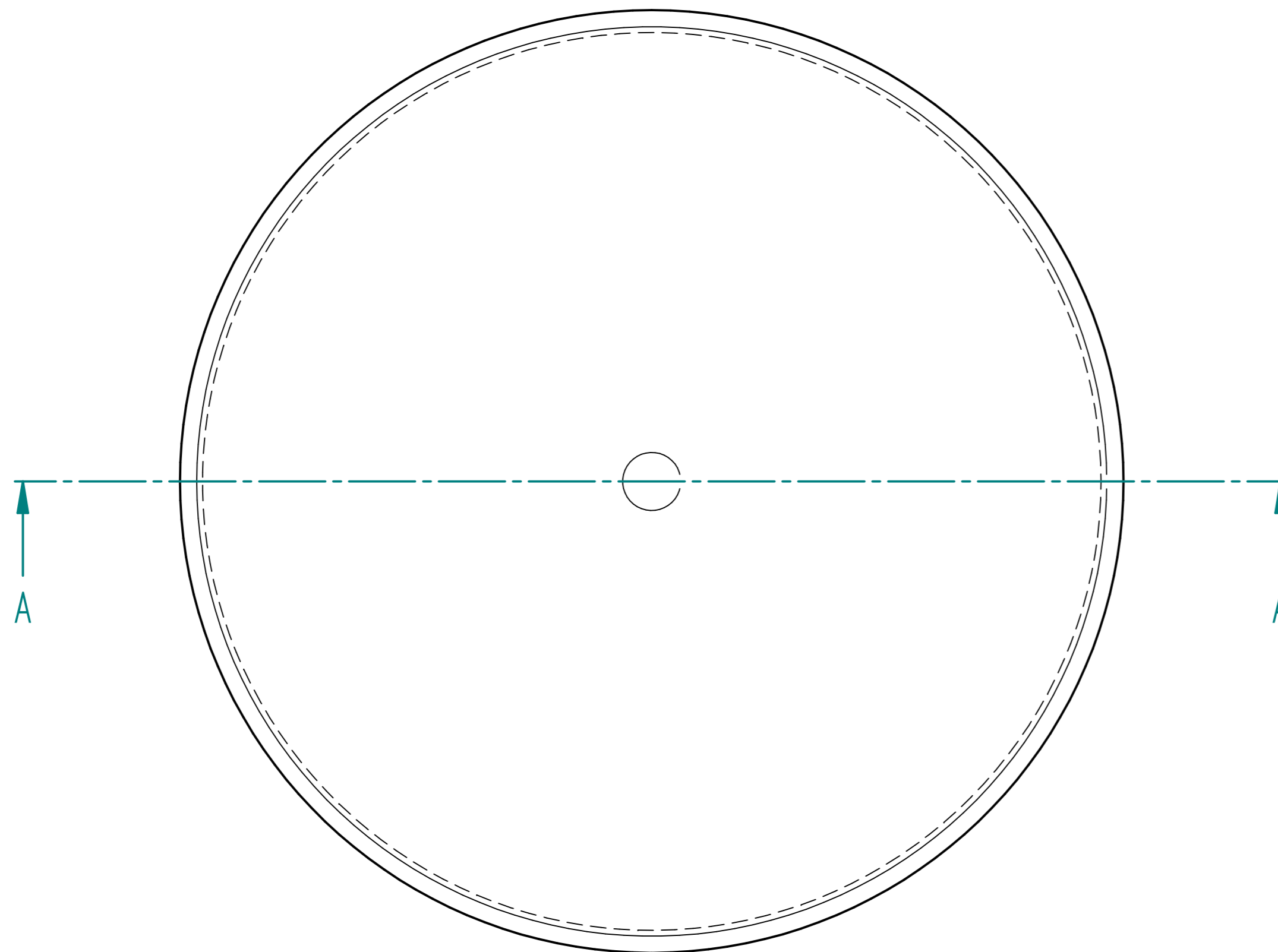


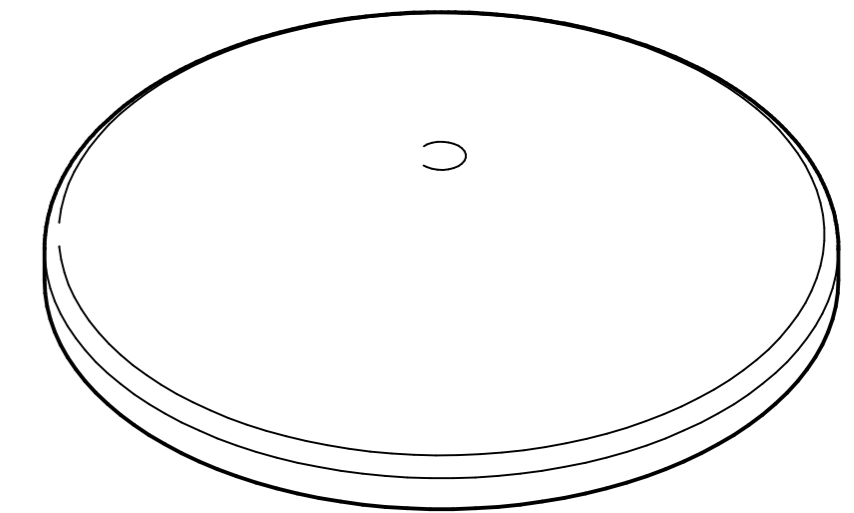
REVISION HISTORY			
REV	DESCRIPTION	DATE	APPROVED



SECTION A-A



GLASS CAP



	NAME	DATE	AGRIGEL	
DRAWN	Dan	03/04/25		
APPROVED				
MATERIAL				
TREATMENT			TITLE	
UNLESS OTHERWISE SPECIFIED DIMENSIONS ARE IN MILLIMETERS			SIZE A4	DWG NO
1 st ANGLE 2 PL ±0.02 3 PL ±0.005			FILE NAME: Glass Cap.dft	REV
			SCALE:	WEIGHT:
			SHEET 1 OF 1	