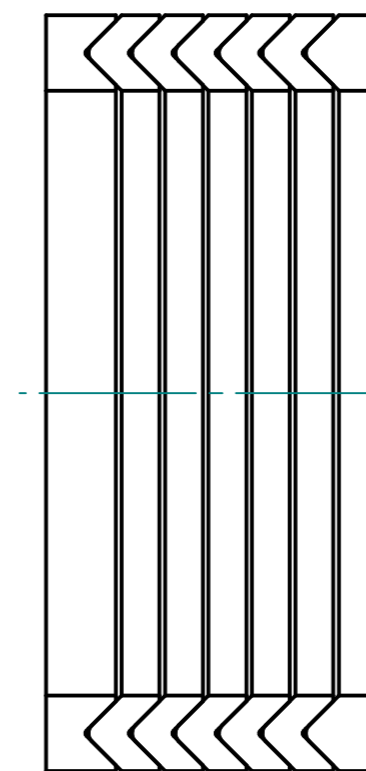
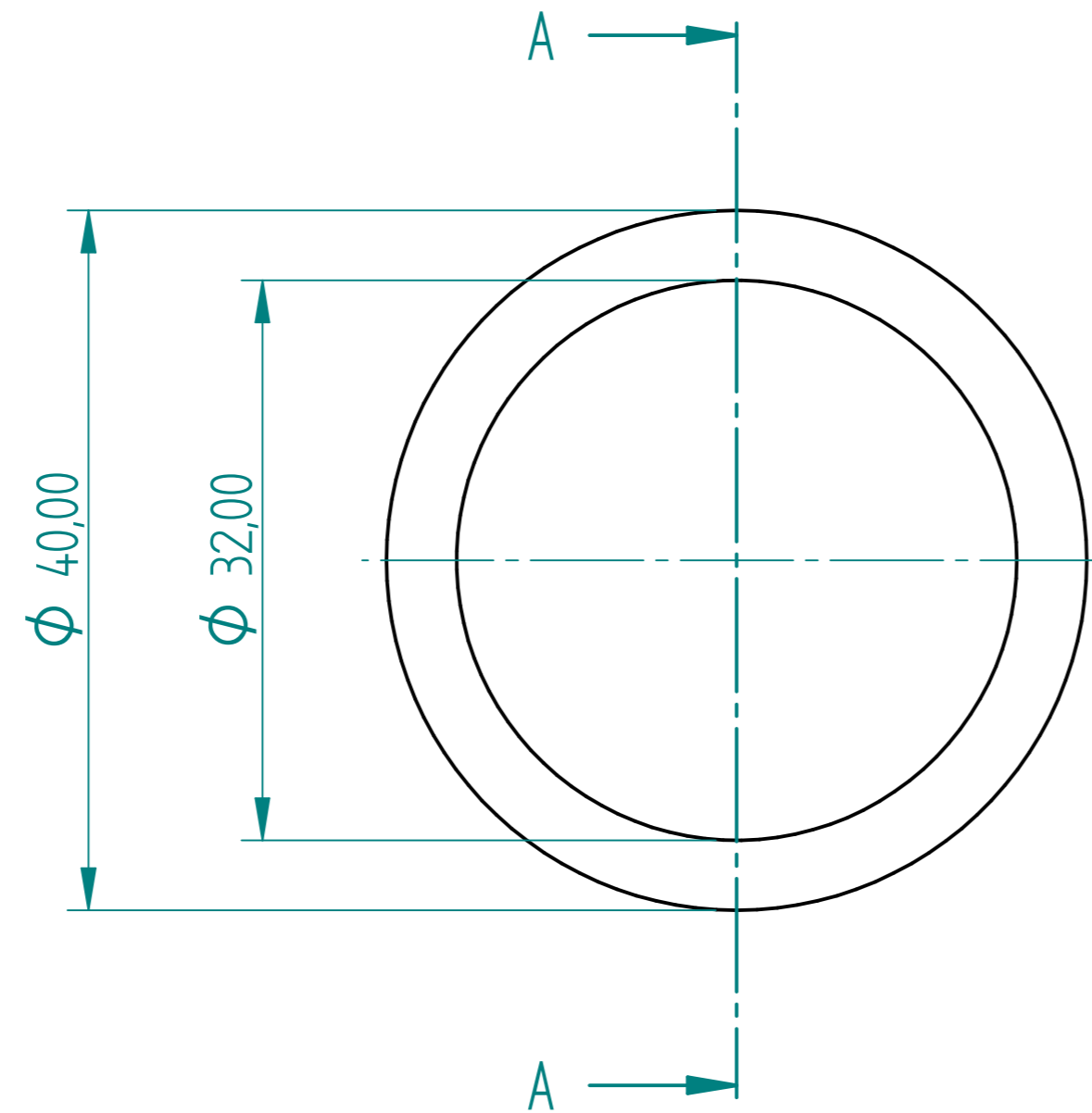
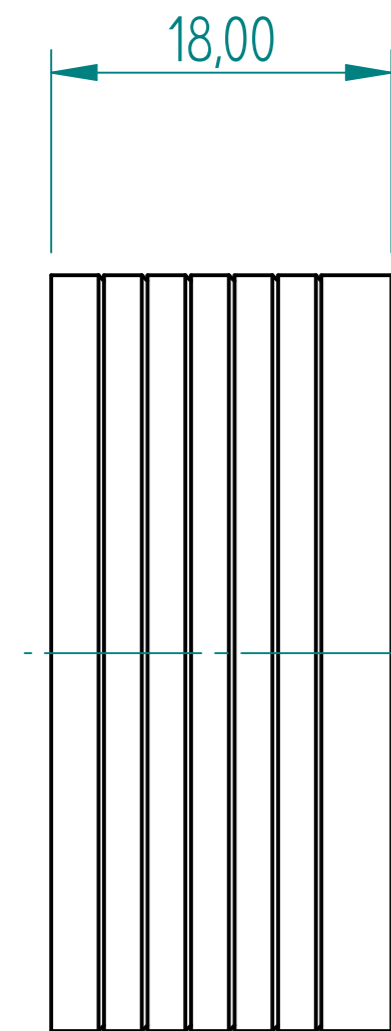
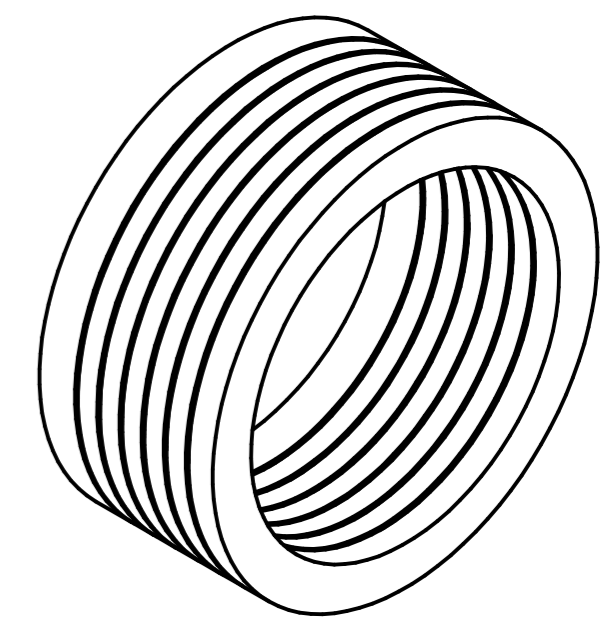


REVISION HISTORY			
REV	DESCRIPTION	DATE	APPROVED



SECTION A-A



PTFE Vee SEAL Pack
 OD 40mm ID 32mm 18mm Long
 SELF-ENERGISING SPRING ACTION

	NAME	DATE	AGRIGEL		
DRAWN	Dan	10/22/19			
APPROVED			TITLE		
MATERIAL	PTFE				
TREATMENT			UNLESS OTHERWISE SPECIFIED DIMENSIONS ARE IN MILLIMETERS		
			SIZE A4	DWG NO	REV
			FILE NAME: Vee Seal.dft		
			SCALE:	WEIGHT:	SHEET 1 OF 1

1st ANGLE
 2 PL ±0.02 3 PL ±0.005