

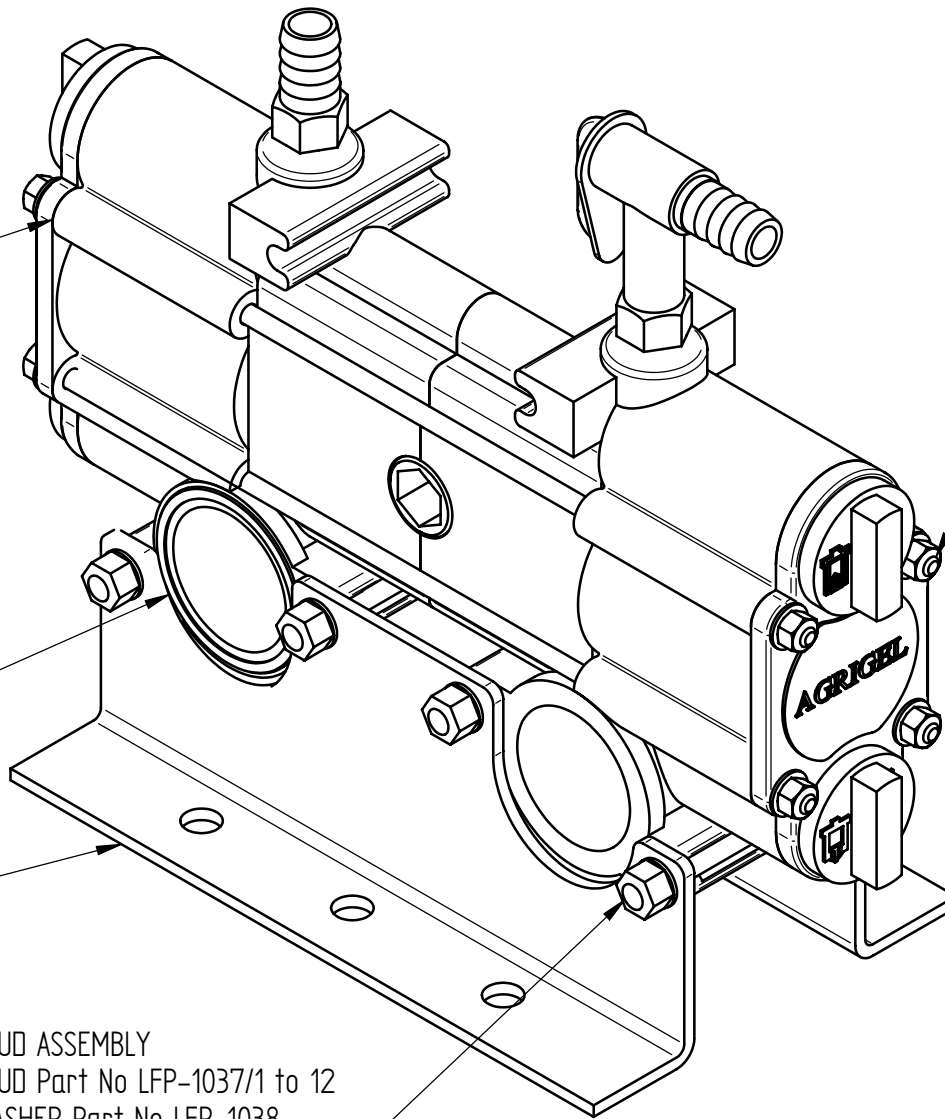
END COVER SPACER
Part No LFP-1034

HOUSING SEAL
Part No LFP-1035

FOOT BRACKET
Part No LFP-1036

M8 STUD ASSEMBLY
M8 STUD Part No LFP-1037/1 to 12
M8 WASHER Part No LFP-1038
M8 NUT Part No LFP-1039

M6 STUD ASSEMBLY
M6 STUD Part No LFP-1031
M6 WASHER Part No LFP-1032
M6 LOCK NUT Part No LFP-1033



for evaluation only

| REV | MATERIAL | TREATMENT | SHEET | OF | DATE | DRAWN | APPROVED |
|--------------------|----------|-----------|------------------------------|----|-------|-------|----------|
| | | | | | | | |
| 1:1 ANGLE | | | DESCRIPTION PUMP SECTION ISO | | | | |
| AGRIGEL IPTVLT0 | | | PART No | | SCALE | | |