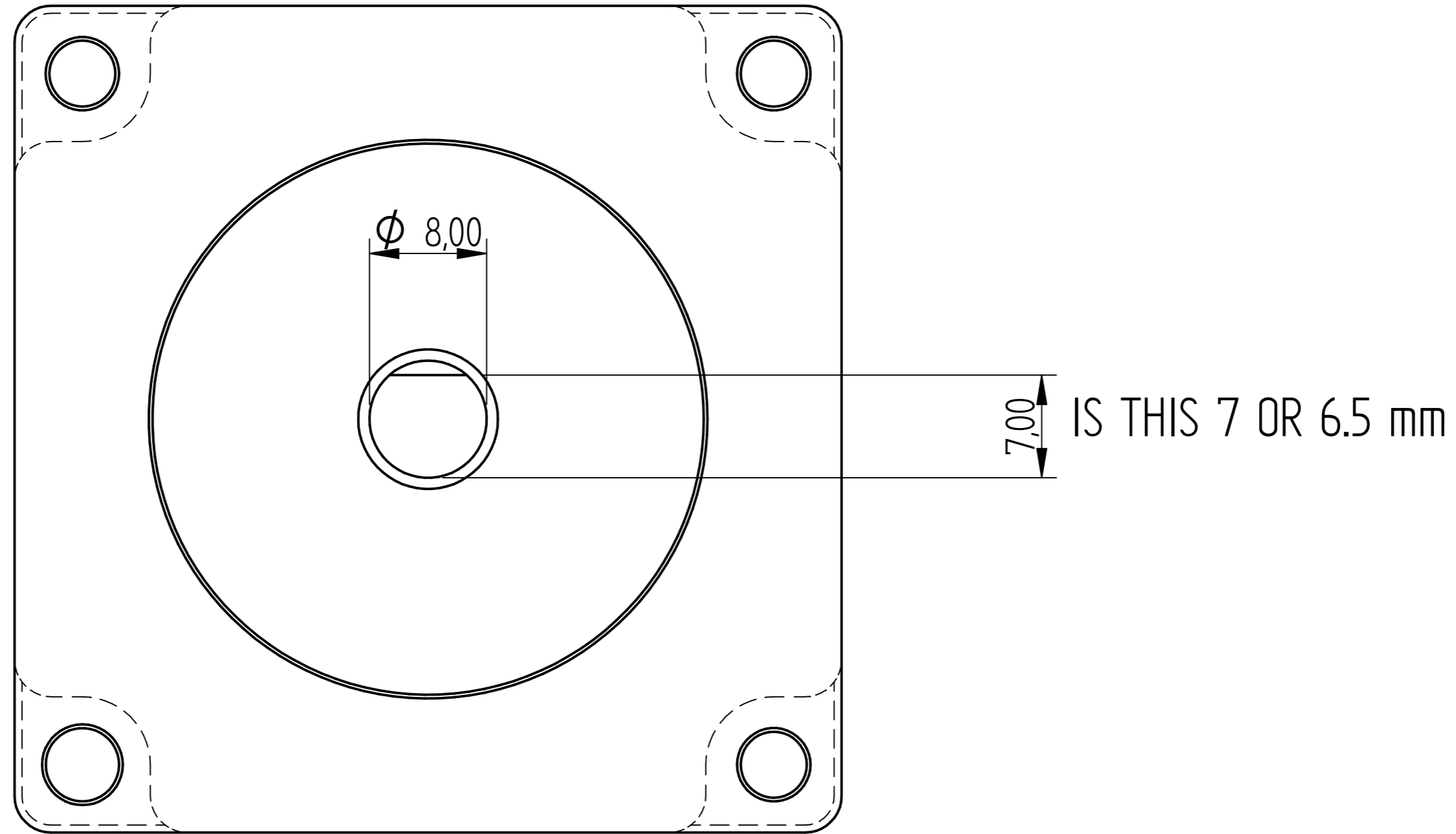


REVISION HISTORY			
REV	DESCRIPTION	DATE	APPROVED



	NAME	DATE	<b>AGRIGEL</b>	
DRAWN	Dan	Error: No reference		
APPROVED			TITLE	
MATERIAL				
TREATMENT				
UNLESS OTHERWISE SPECIFIED DIMENSIONS ARE IN MILLIMETERS			SIZE A4	DWG NO
1 <sup>st</sup> ANGLE 			FILE NAME: Draft2	REV
2 PL ±0.02 3 PL ±0.005			SCALE:	WEIGHT: SHEET 1 OF 1