

REVISIONS		DESCRIPTION	
NO.	DATE	BY	DESCRIPTION
1	05/24/06 YJLI		NEW RELEASE
2	08/17/08 YJLI		PINOUT
3	08/28/10 YJLI		VIEWING DIR., PIN LEN

CHARACTERISTICS

- LCD TYPE: TN, POSITIVE,
- DRIVING PARA: 3.0V, 1/3DUTY, 1/3BIAS
- POLARIZER: REFLECTIVE
- VIEWING ANGLE: 12°CLOCK

5. CONNECTOR: METAL PINS

- SCREEN PRINTING: WITHOUT
- OPERATING TEMP.: -20~+70 C
- STORAGE TEMP.: -30~+80 C

REMARKS

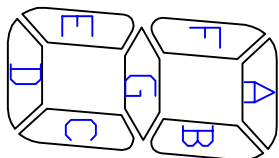
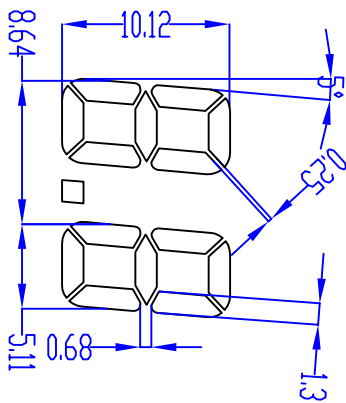
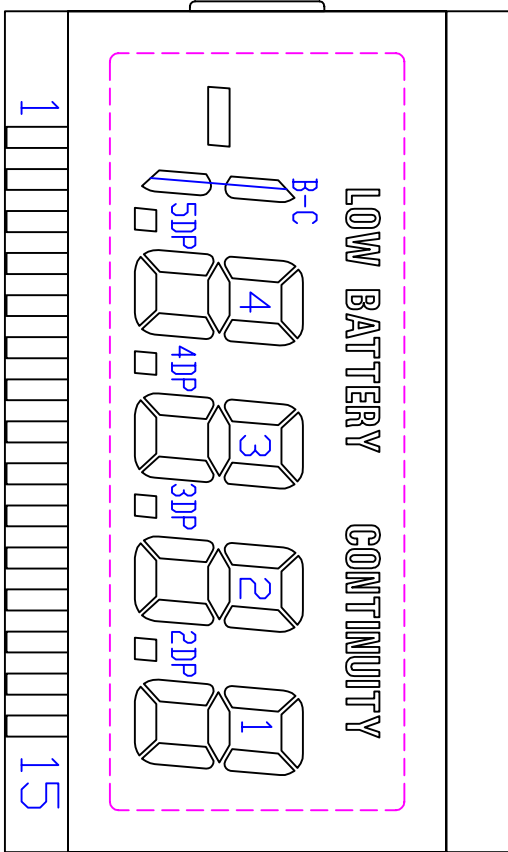
- UNMARKED TOLERANCES: ±0.15
- UNITS: MM



PART NO.: NT-M5009B
 DWG NO.: 20061026-01

PROJECT:
 RESPONSIBLE: YJLI
 VER: A PAGE: 1 OF 3

REVISIONS		NO.	DATE	BY	DESCRIPTION
1	05/24/06	YJLI	NEW RELEASE		
2	06/17/06	YJLI	PINOUT		
3	06/26/10	YJLI	VIEWING DIR., PIN LEN		



PIN	1	2	3	4	5	6	7	8	9	10	11	12	13	14	15
COM1	4F	4A	4B	3F	3A	3B	2F	2A	2B	1F	1A	1B	COM1		
COM2	4E	4G	4C	3E	3G	3C	2E	2G	2C	1E	1G	1C	COM2		
COM3	SDP	4D	B-C	4DP	3D	-	3DP	2D	LOWBATTERY	2DP	1D	CONTINUITY			COM3

CHARACTERISTICS

- LCD TYPE: TN, POSITIVE,
- DRIVING PARA: 3.0V, 1/3DUTY, 1/3BIAS
- POLARIZER: REFLECTIVE
- VIEWING ANGLE: 12 O'CLOCK

CONNECTOR: METAL PINS

- SCREEN PRINTING: WITHOUT
- OPERATING TEMP.: -20-+70 C
- STORAGE TEMP.: -30-+80 C

REMARKS

- UNMARKED TOLERANCES: +/-0.15
- UNITS: MM



PART NO.: NT-M5009B

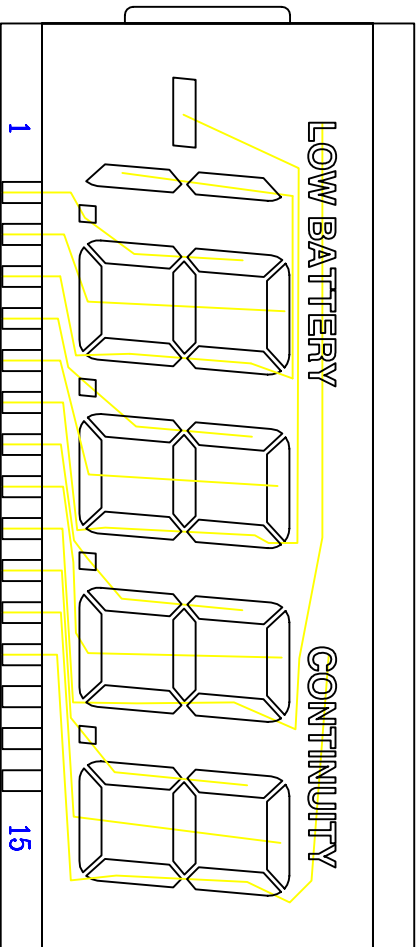
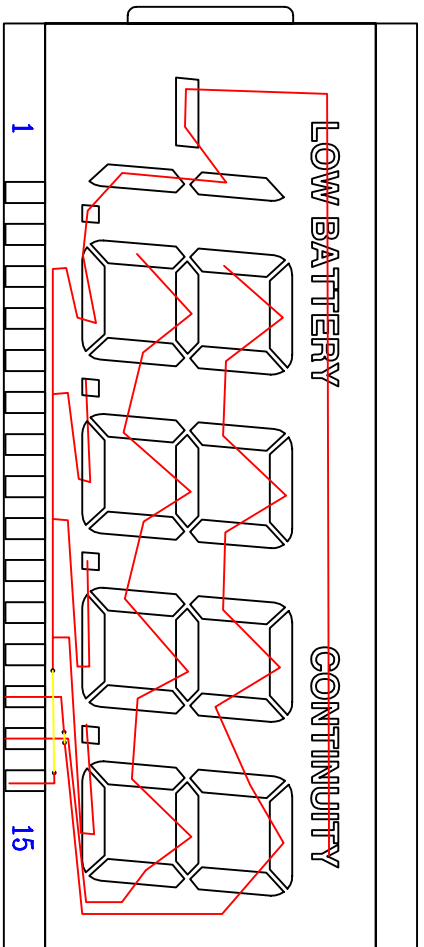
DWG NO.: 20061026-01

PROJECT:

RESPONSIBLE: YJLI

VER: A PAGE: 2 OF 3

REVISIONS			
NO.	DATE	BY	DESCRIPTION
1	05/24/06 YJLI		NEW RELEASE
2	06/17/06 YJLI		PINOUT
3	06/26/10 YJLI		VIEWING DIR, PIN LEN



COM

SEG

- CHARACTERISTICS**
1. LCD TYPE: TN, POSITIVE,
 2. DRIVING PARA: 3.0V, 1/3DUTY, 1/3BIAS
 3. POLARIZER: REFLECTIVE
 4. VIEWING ANGLE: 12 O'CLOCK

5. CONNECTOR: METAL PINS
6. SCREEN PRINTING: WITHOUT
7. OPERATING TEMP.: -20--+70 C
- STORAGE TEMP.: -30--+80 C

REMARKS

1. UNMARKED TOLERANCES: +/0.15
2. UNITS: MM



PART NO.: NT-M5009B
 DWG NO.: 20061026-01
 PROJECT:
 RESPONSIBLE: YJLI
 VER: A PAGE: 3 OF 3