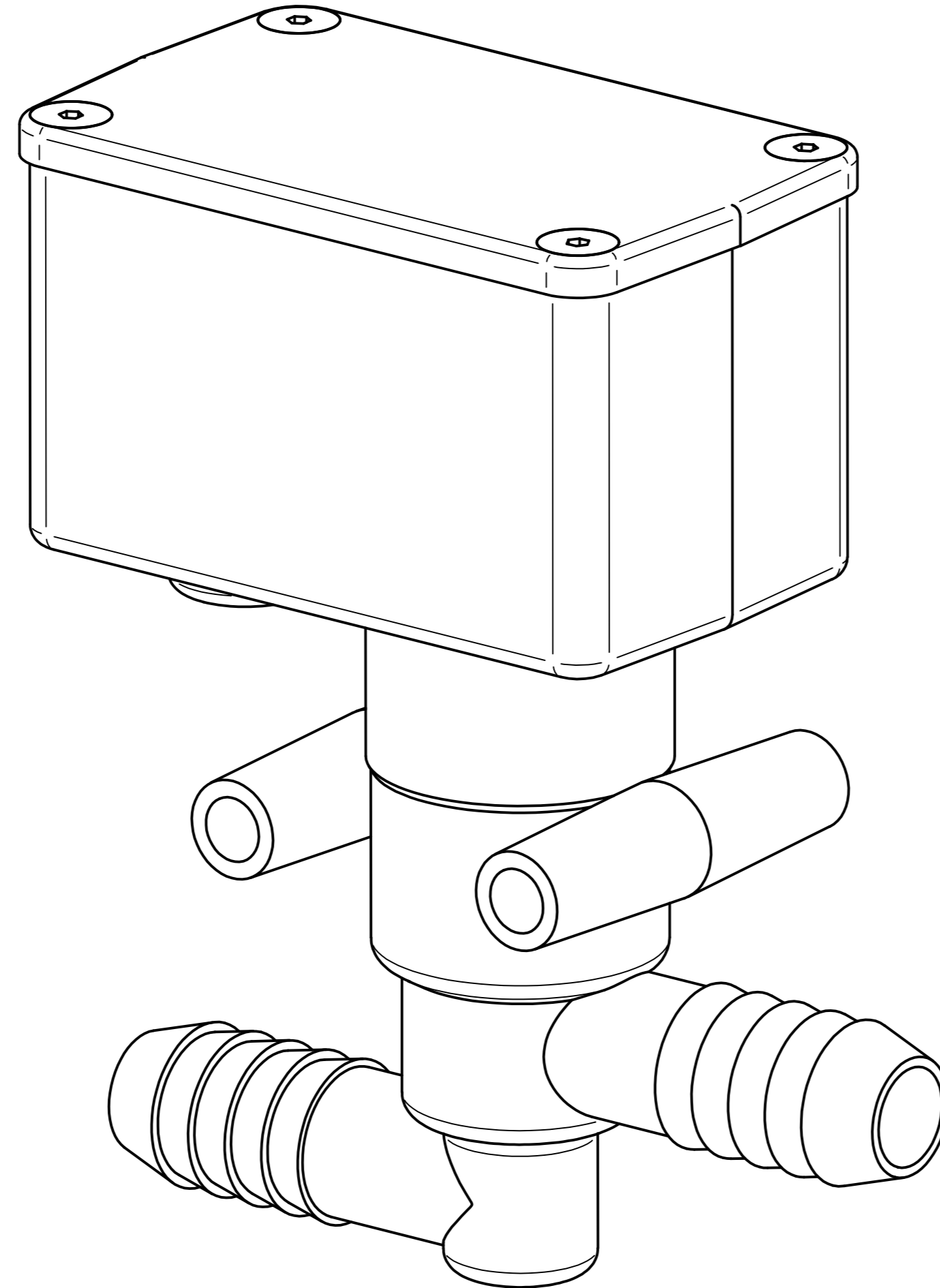


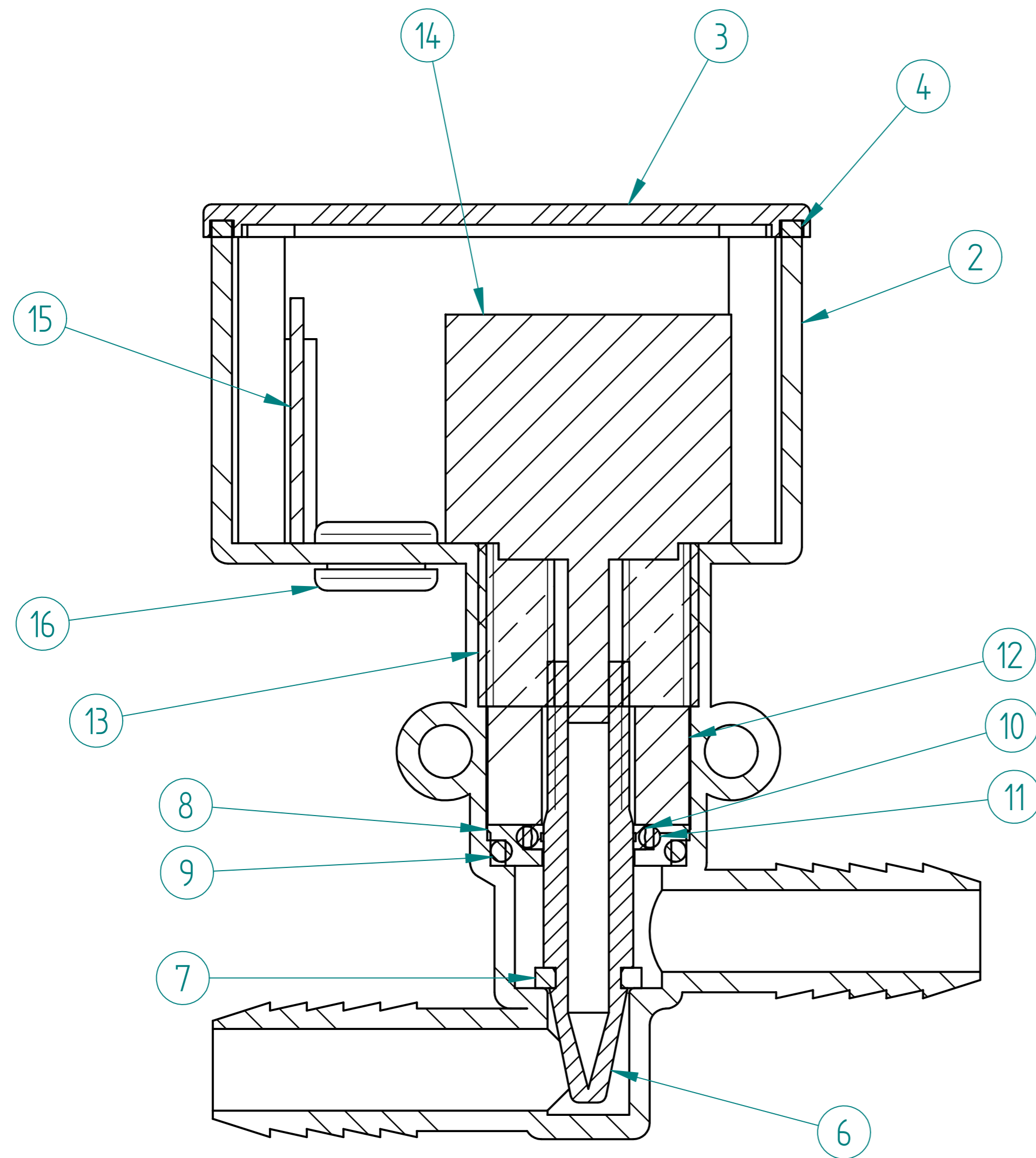
REVISION HISTORY			
REV	DESCRIPTION	DATE	APPROVED



FLOW CONTROL VALVE

	NAME	DATE	AGRIGEL	
DRAWN	Dan	12/16/10	TITLE	
APPROVED			Flow Control Valve	
MATERIAL			SIZE	DWG NO
TREATMENT			A4	PM-FCV-100
UNLESS OTHERWISE SPECIFIED DIMENSIONS ARE IN MILLIMETERS			FILE NAME:	REV
1st ANGLE ANGLES ±0.1°			Flow Control Valve.dft	
2 PL ±0.02 3 PL ±0.005			SCALE:	WEIGHT:
				SHEET 1 OF 6

REVISION HISTORY			
REV	DESCRIPTION	DATE	APPROVED

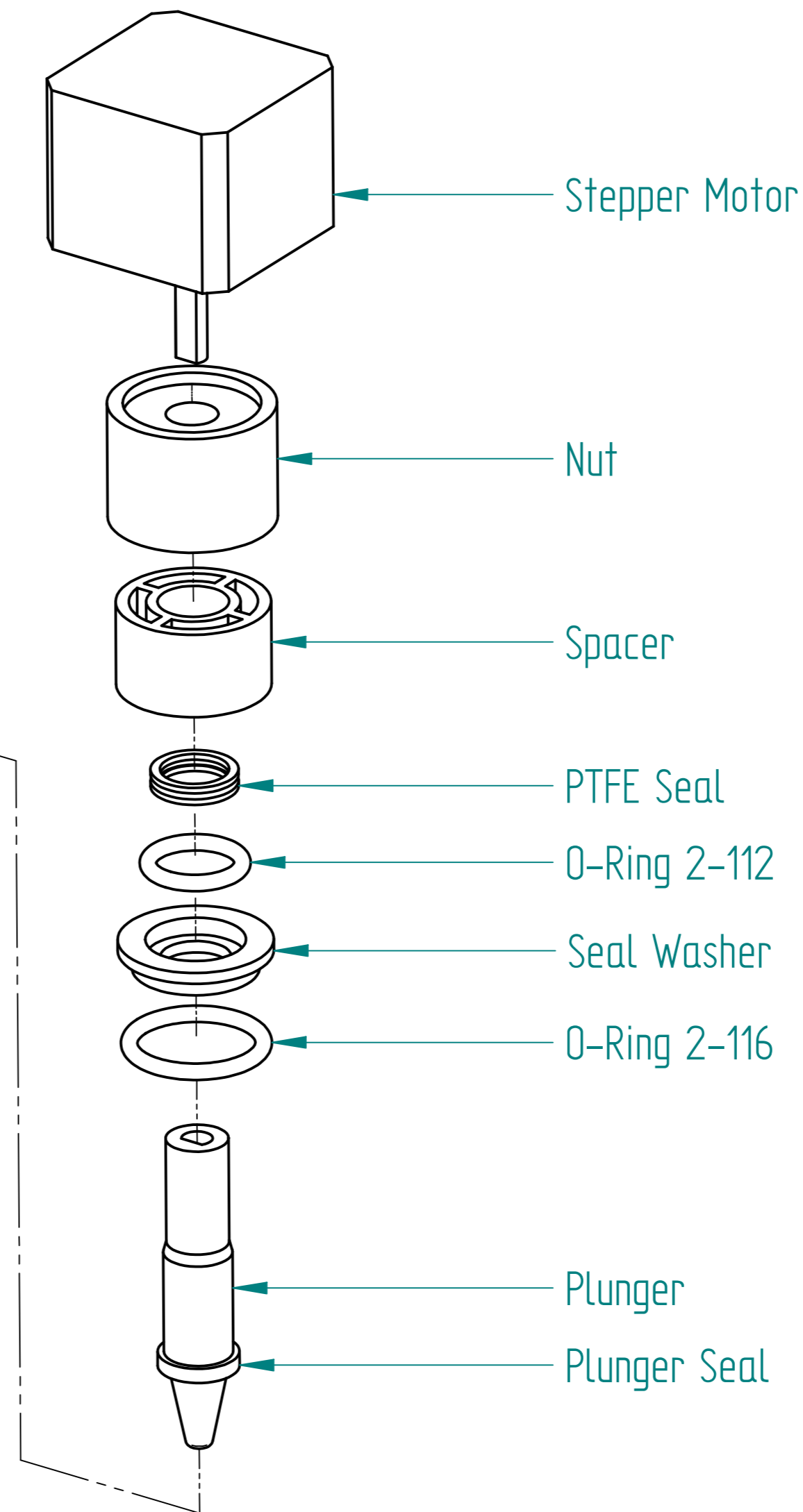
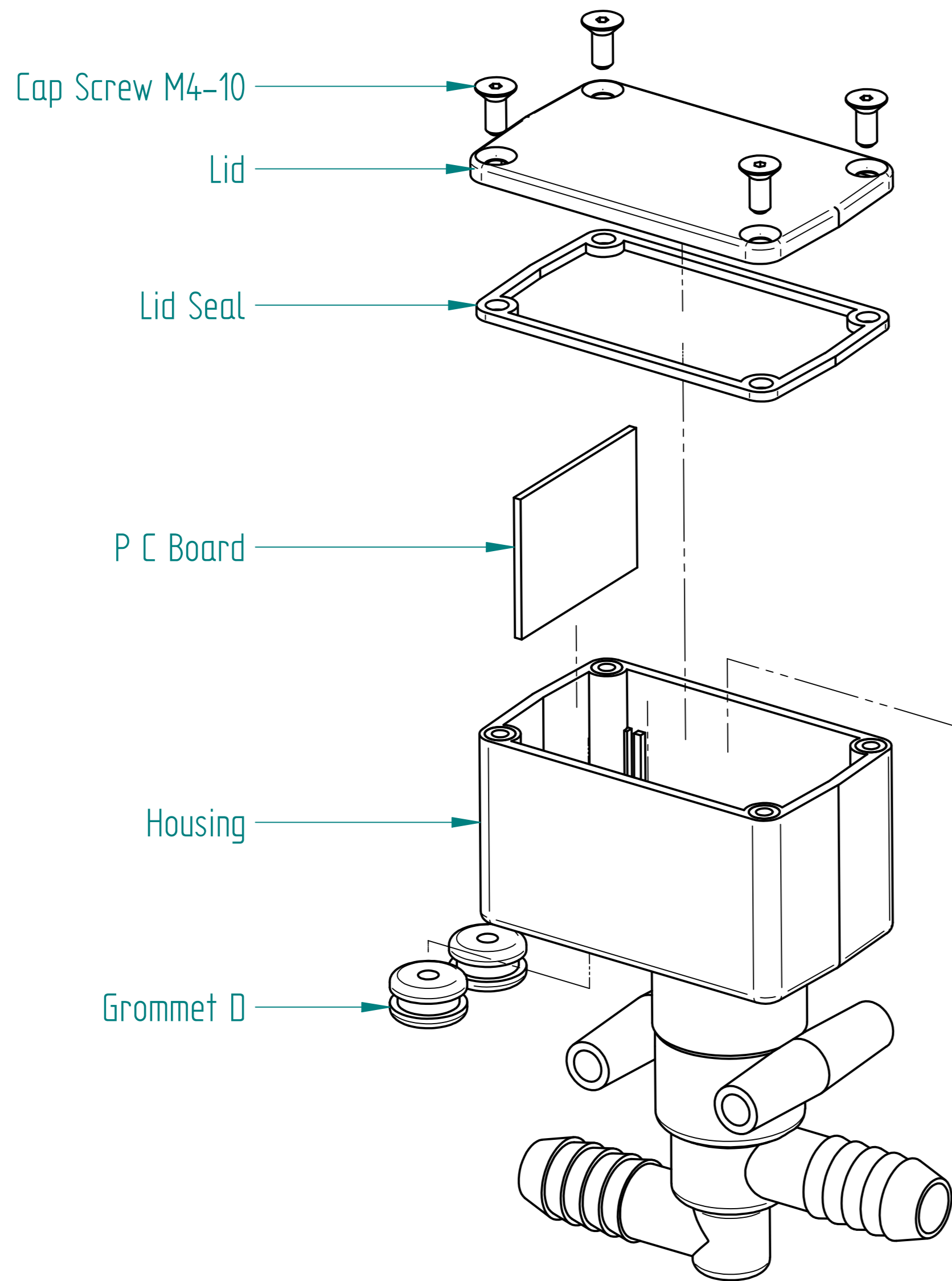


Item Number	Document Number	Title
1*	M4 - 8	Insert
2	PM-FCV-101	Housing
3	PM-FCV-102	Lid
4	PM-FCV-103	Lid Seal
5	PM-FCV-104	Cap Screw M4-10
6	PM-FCV-105	Plunger
7	PM-FCV-106	Plunger Seal
8	PM-FCV-107	Seal Washer
9	PM-FCV-108	O-Ring 2-116
10	PM-FCV-109	PTFE Seal
11	PM-FCV-110	O-Ring 2-112
12	PM-FCV-111	Spacer
13	PM-FCV-112	Nut
14	PM-FCV-113	Stepper Motor
15	PM-FCV-114	P C Board
16	PM-FCV-115	Grommet D

FLOW CONTROL VALVE

	NAME	DATE	AGRIGEL		
DRAWN	Dan	12/16/10			
APPROVED			TITLE		
MATERIAL			Flow Control Valve		
TREATMENT			SIZE	DWG NO	REV
UNLESS OTHERWISE SPECIFIED DIMENSIONS ARE IN MILLIMETERS ANGLES ±0.1°			A4	PM-FCV-100	
			FILE NAME: Flow Control Valve.dft		
1st ANGLE 2 PL ±0.02 3 PL ±0.005			SCALE:	WEIGHT:	SHEET 2 OF 6

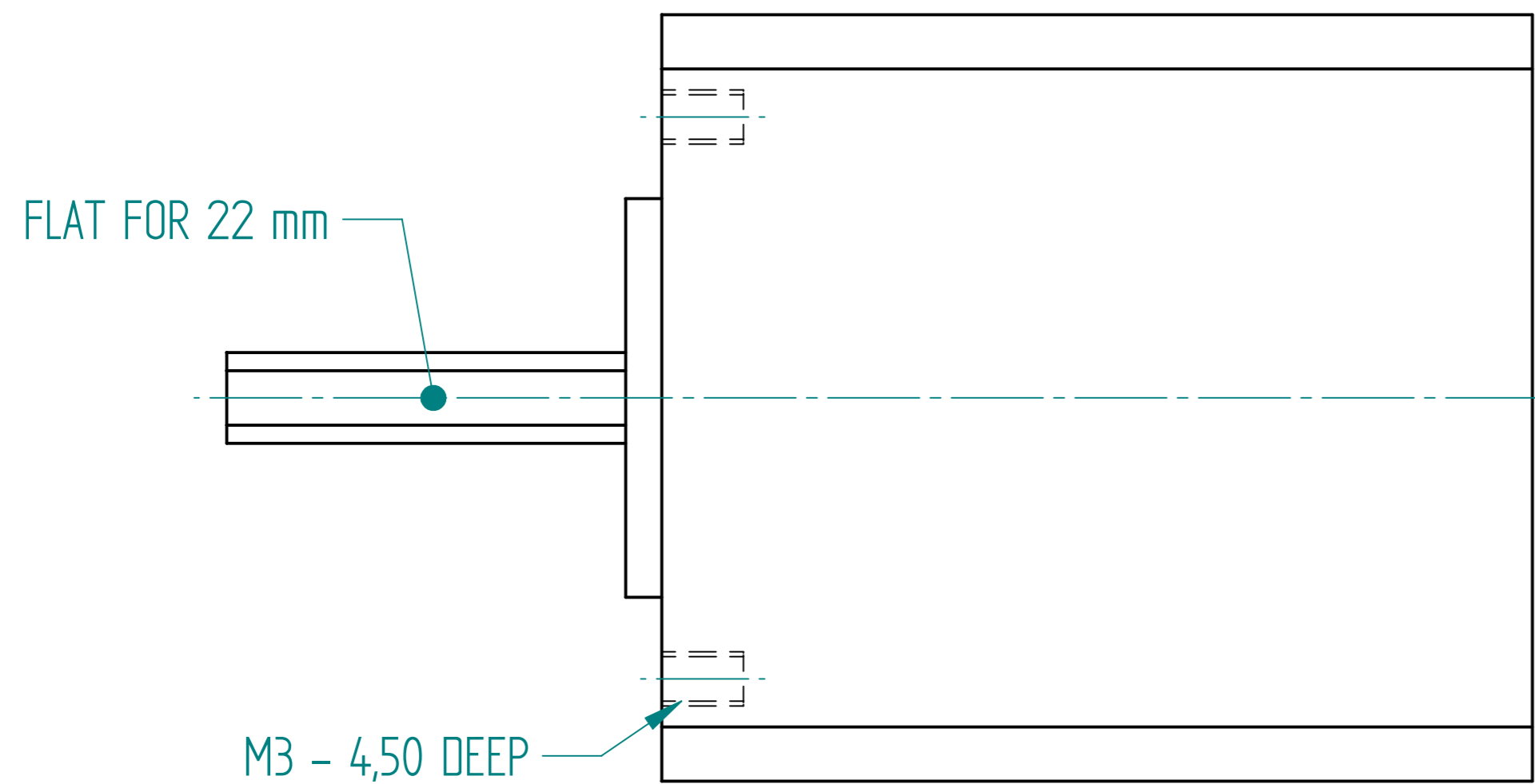
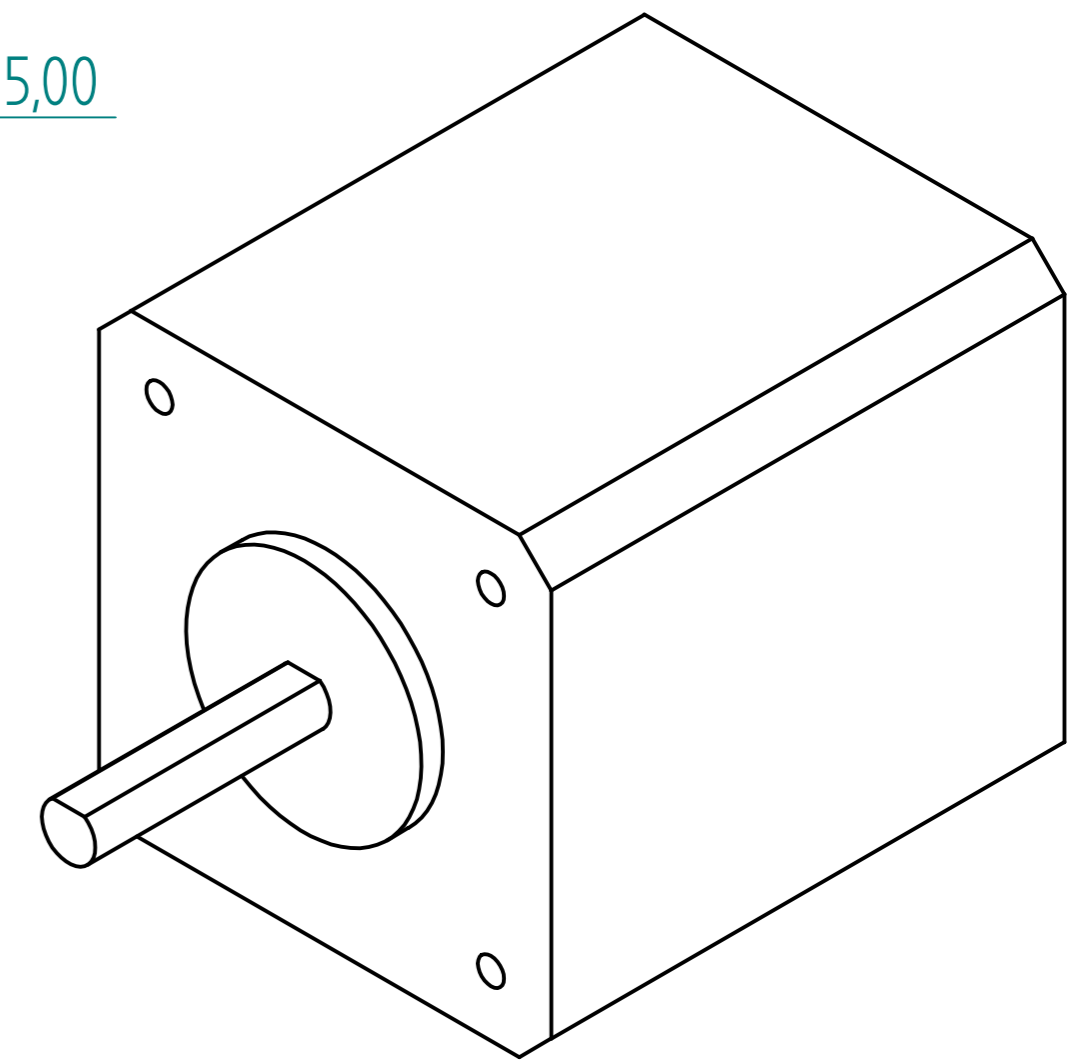
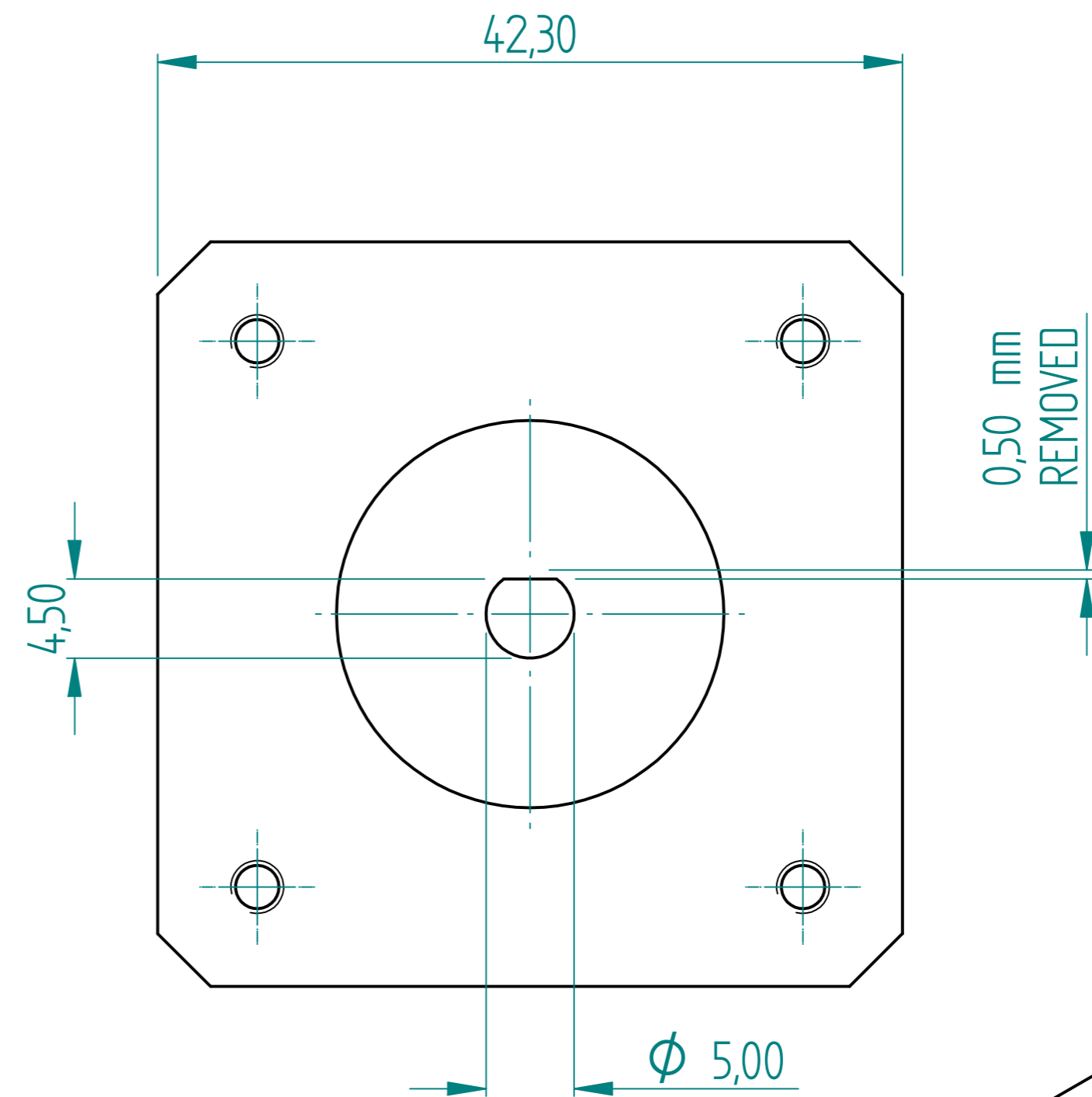
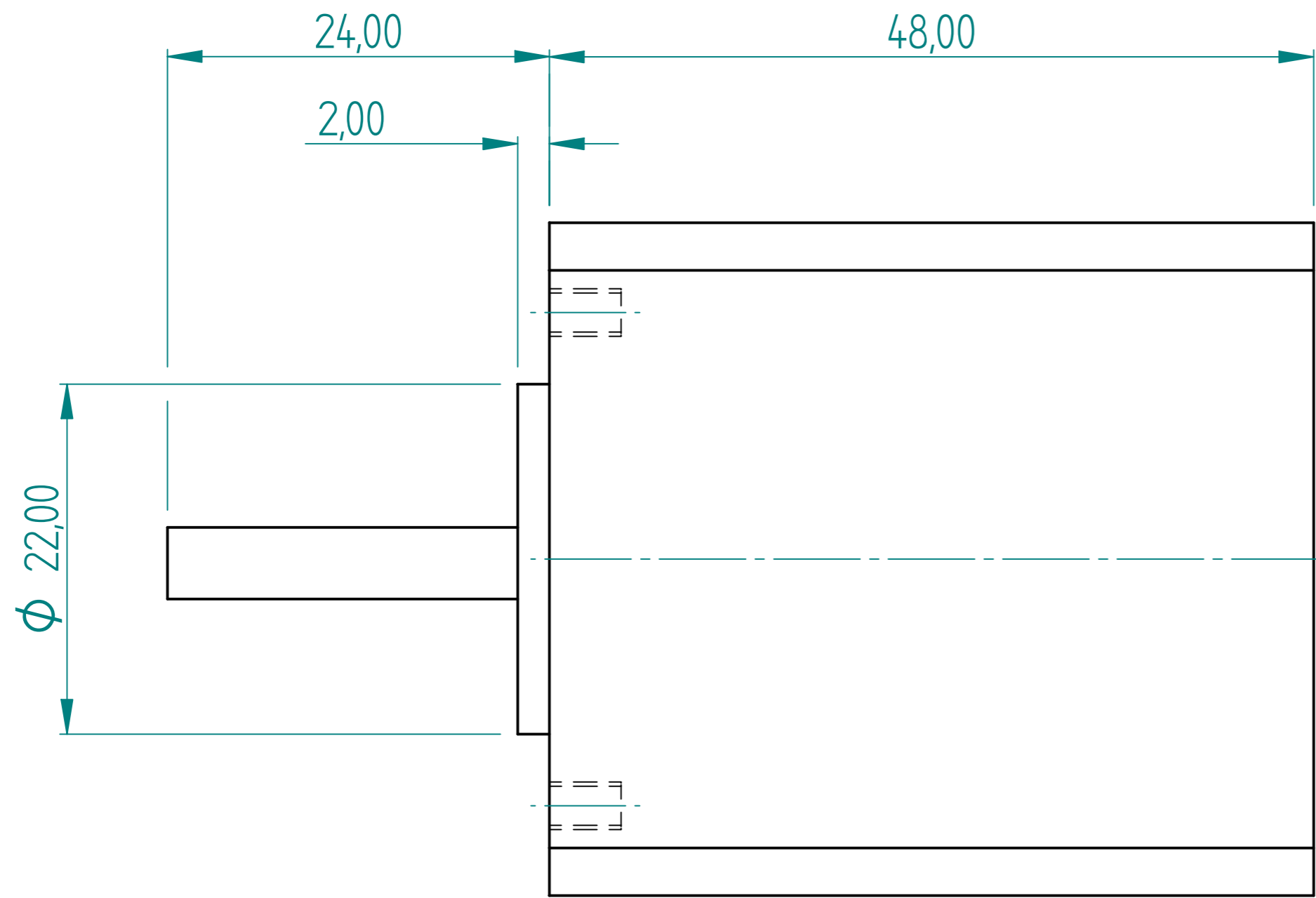
REVISION HISTORY			
REV	DESCRIPTION	DATE	APPROVED



FLOW CONTROL VALVE

	NAME	DATE	AGRIGEL	
DRAWN	Dan	12/16/10	TITLE	
APPROVED			Flow Control Valve	
MATERIAL			SIZE	DWG NO
TREATMENT			A4	PM-FCV-100
UNLESS OTHERWISE SPECIFIED DIMENSIONS ARE IN MILLIMETERS			FILE NAME:	REV
1st ANGLE ANGLES ±0.1°			Flow Control Valve.dft	
2 PL ±0.02	3 PL ±0.005	SCALE:	WEIGHT:	SHEET 3 OF 6

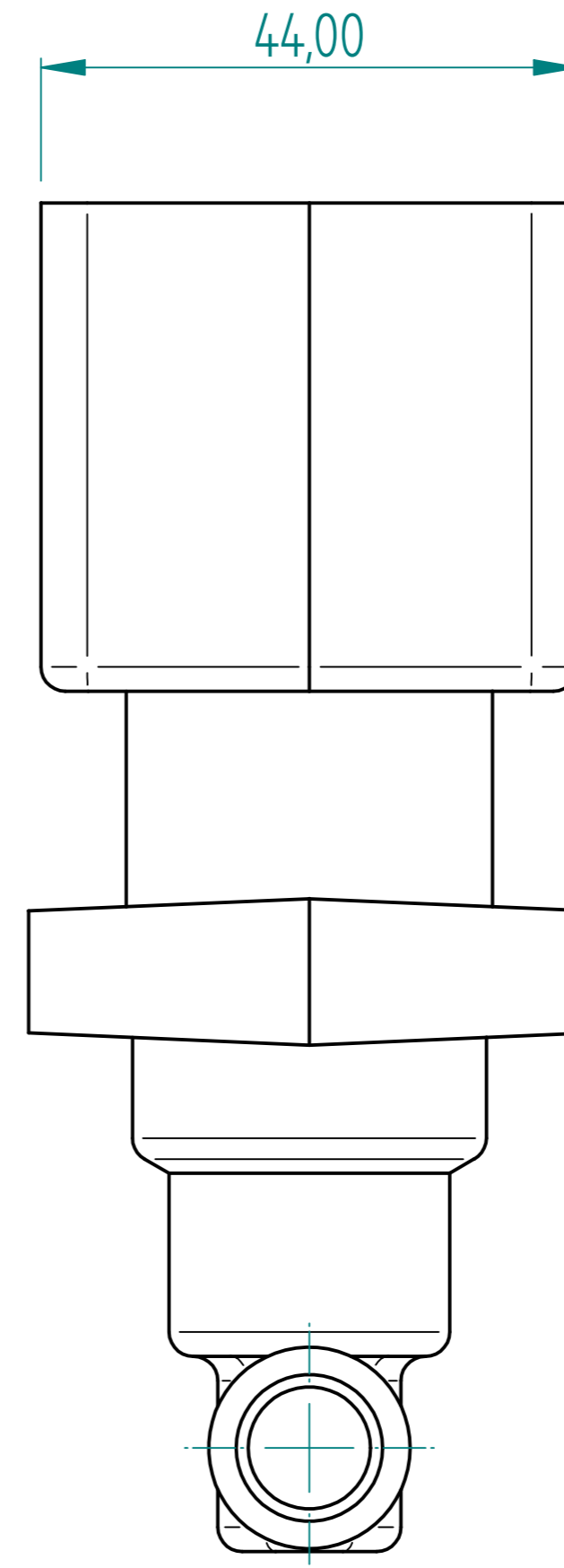
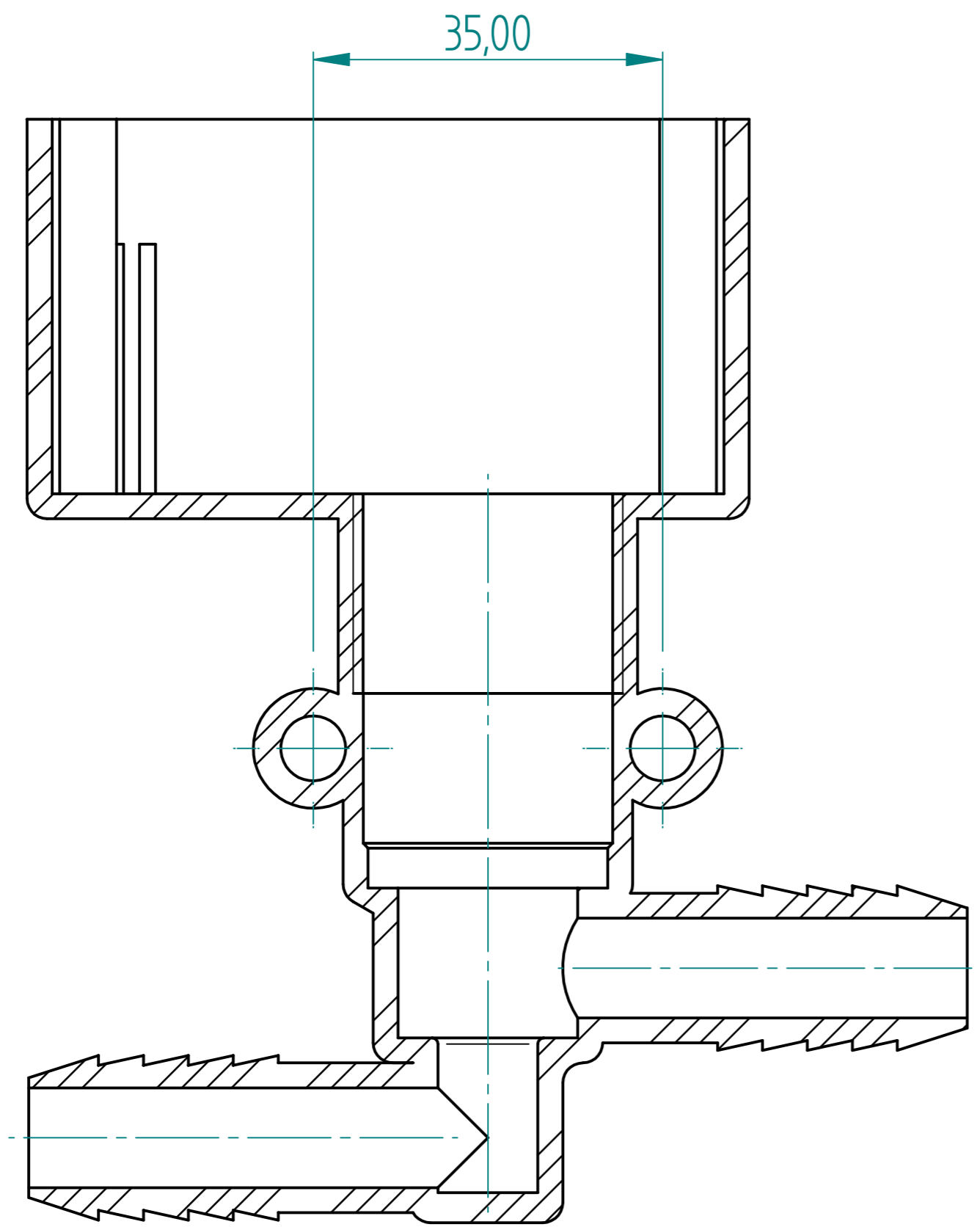
REVISION HISTORY			
REV	DESCRIPTION	DATE	APPROVED



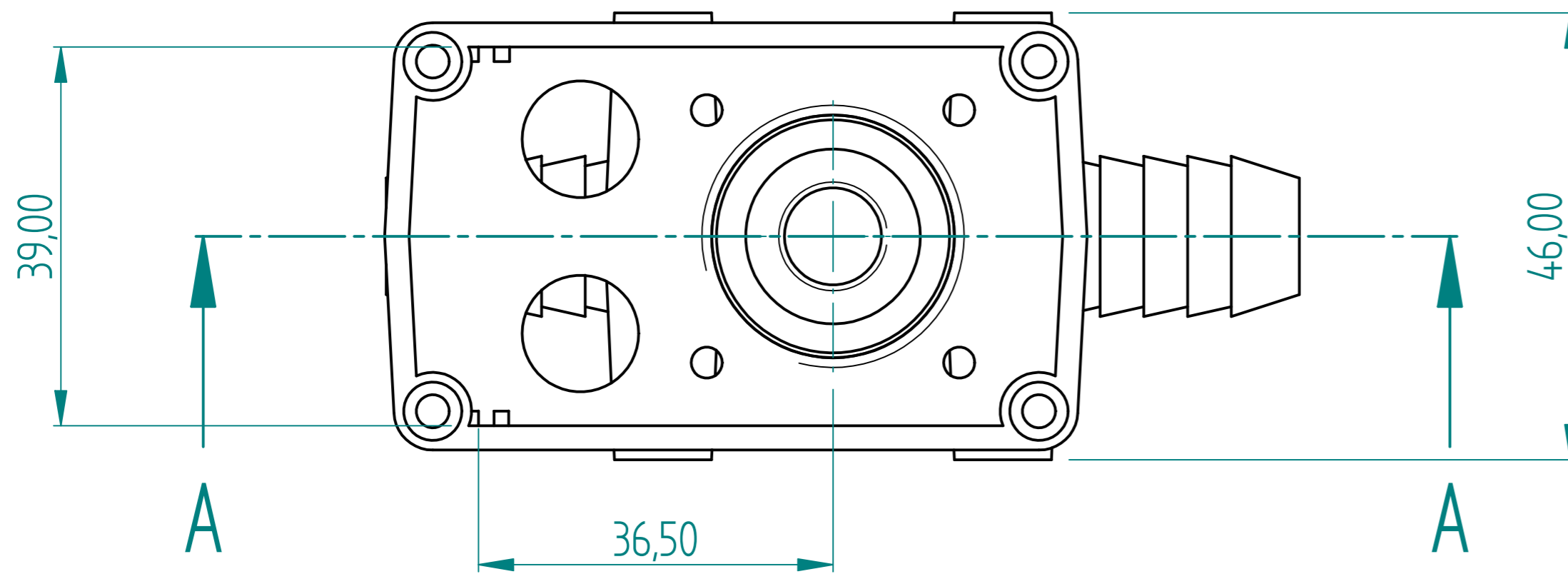
STEPPER MOTOR 17HS8402

	NAME	DATE	AGRIGEL	
DRAWN	Dan	12/16/10	TITLE	
APPROVED			Flow Control Valve	
MATERIAL			SIZE	DWG NO
TREATMENT			A4	PM-FCV-100
UNLESS OTHERWISE SPECIFIED DIMENSIONS ARE IN MILLIMETERS			FILE NAME:	REV
1 st ANGLE			Flow Control Valve.dft	
2 PL ± 0.02 3 PL ± 0.005			SCALE:	WEIGHT:
				SHEET 4 OF 6

REVISION HISTORY			
REV	DESCRIPTION	DATE	APPROVED

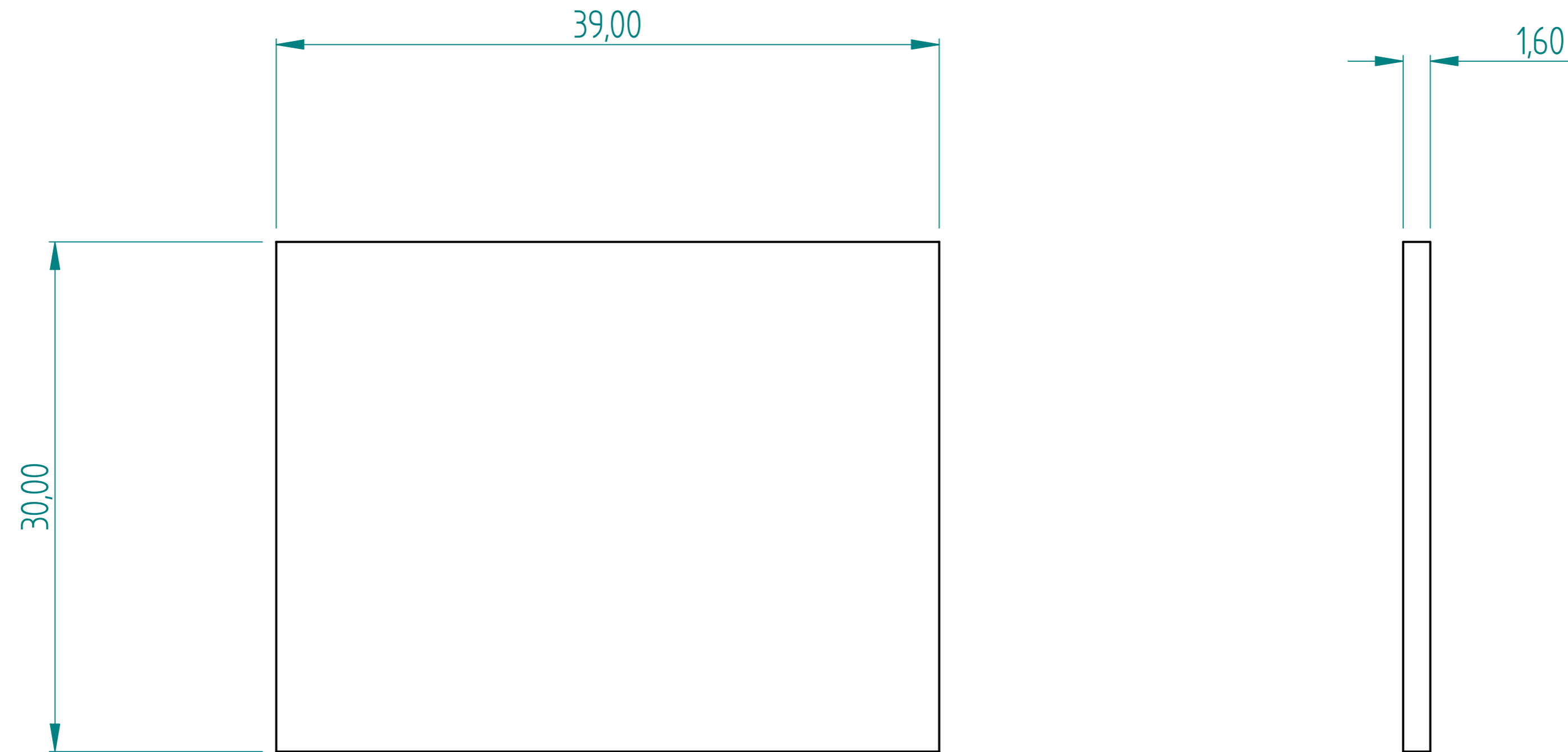


SECTION A-A



DRAWN	NAME	DATE	AGRIGEL	
APPROVED	Dan	12/16/10		
MATERIAL			TITLE	
TREATMENT			Flow Control Valve	
UNLESS OTHERWISE SPECIFIED DIMENSIONS ARE IN MILLIMETERS			SIZE	DWG NO
1 st ANGLE			A4	PM-FCV-100
ANGLES ±0,1°			FILE NAME: Flow Control Valve.dft	
2 PL ±0,02 3 PL ±0,005			SCALE:	WEIGHT:
			SHEET 5 OF 6	

REVISION HISTORY			
REV	DESCRIPTION	DATE	APPROVED



STEPPER MOTOR DRIVER P. C. BOARD

	NAME	DATE	AGRIGEL	
DRAWN	Dan	12/16/10		
APPROVED				
MATERIAL				
TREATMENT			TITLE	Flow Control Valve
UNLESS OTHERWISE SPECIFIED DIMENSIONS ARE IN MILLIMETERS			SIZE A4	DWG NO PM-FCV-100
1 st ANGLE ANGLES ±0,1°			FILE NAME: Flow Control Valve.dft	REV
2 PL ±0.02 3 PL ±0.005			SCALE:	WEIGHT:
			SHEET 6 OF 6	