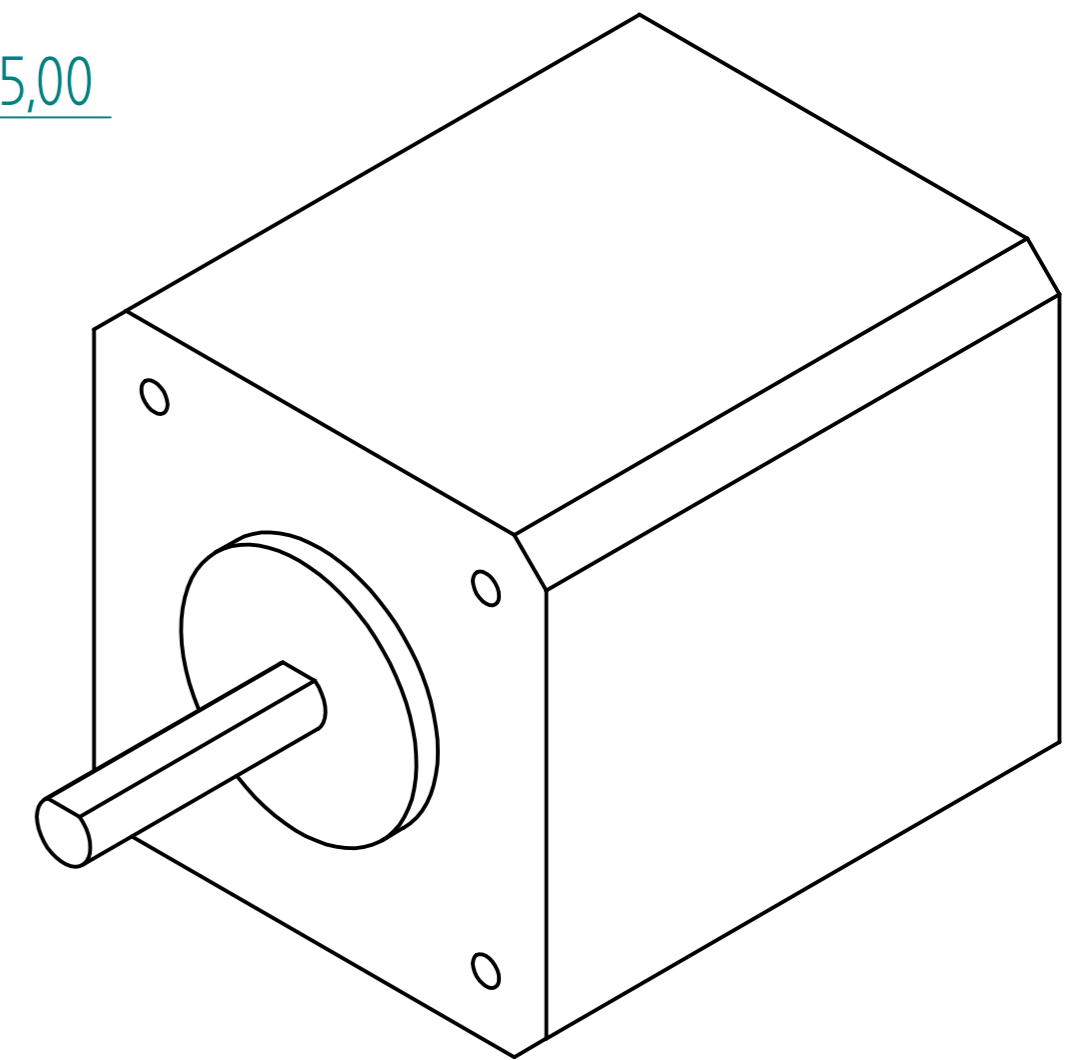
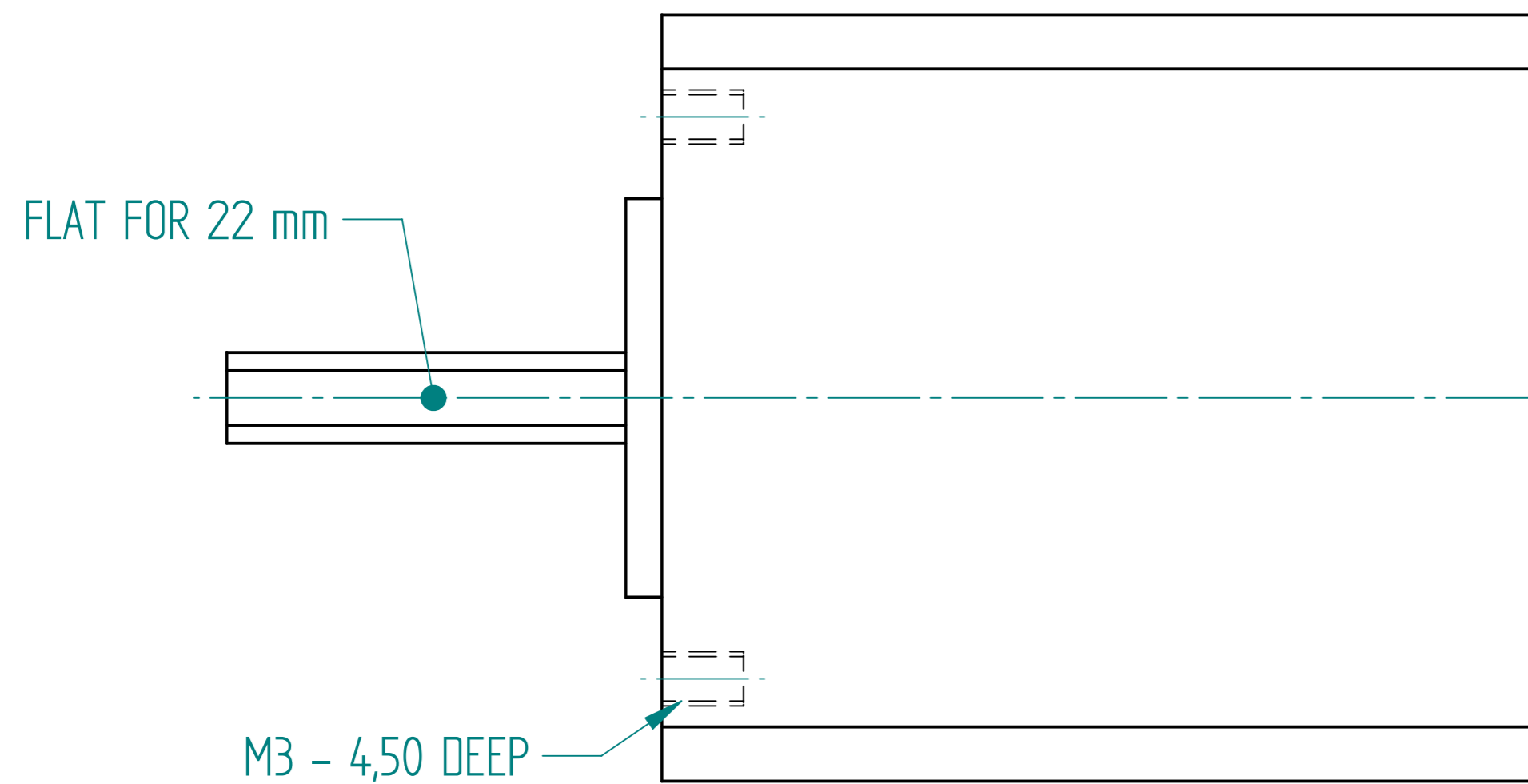
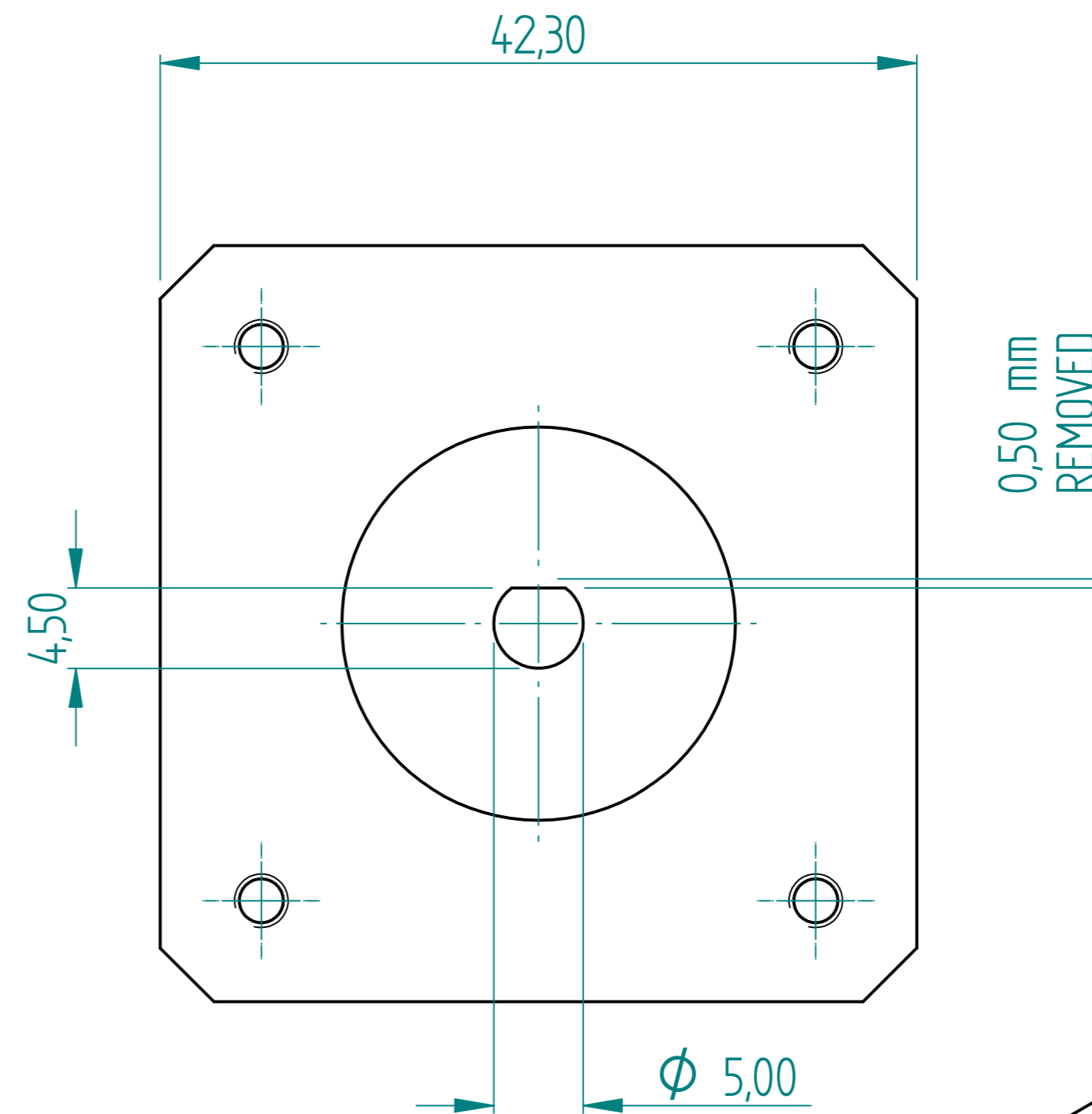
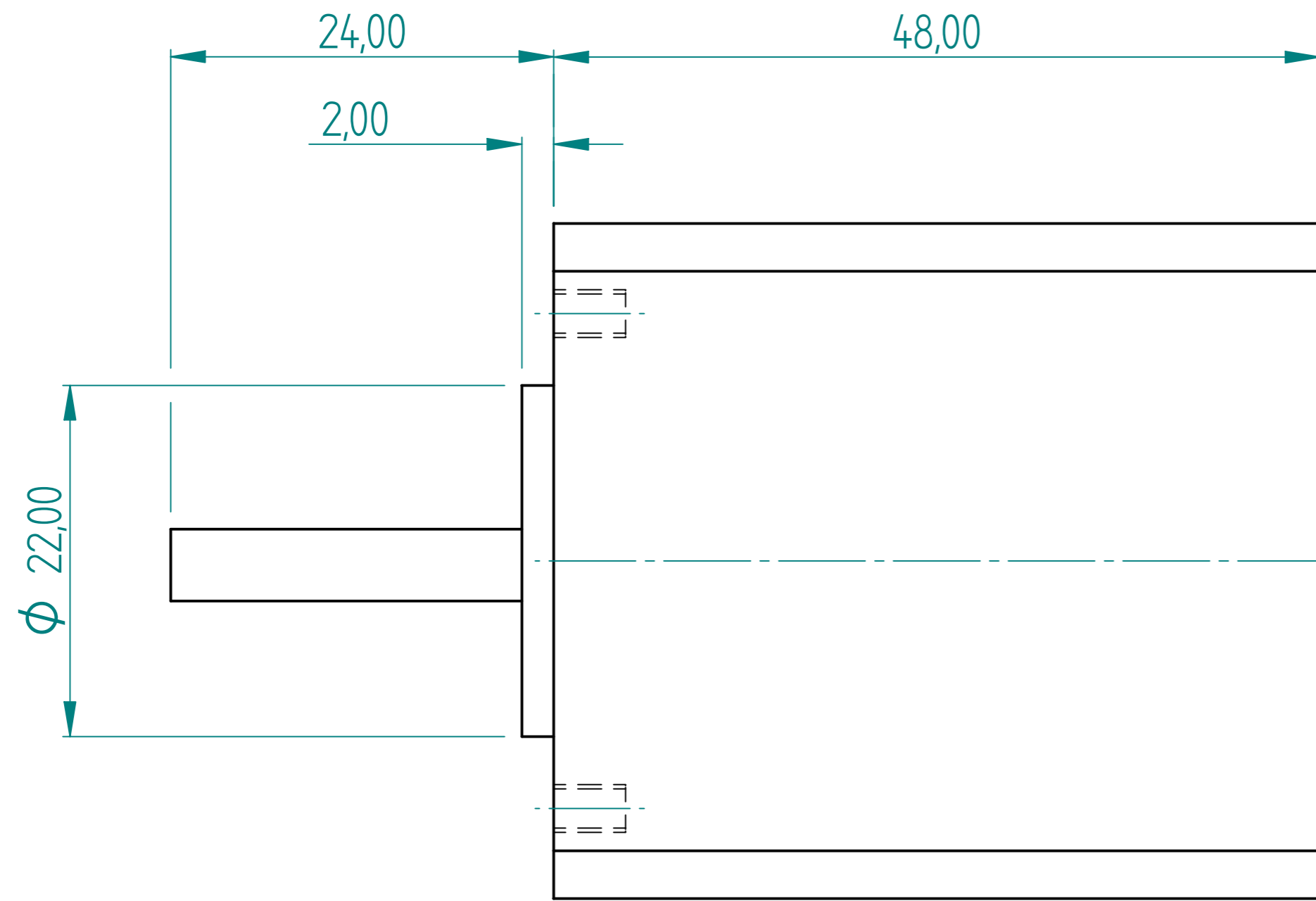


REVISION HISTORY			
REV	DESCRIPTION	DATE	APPROVED



STEPPER MOTOR 17HS8402

	NAME	DATE	AGRIGEL	
DRAWN	Dan	02/15/11		
APPROVED				
MATERIAL				
TREATMENT			TITLE	
UNLESS OTHERWISE SPECIFIED DIMENSIONS ARE IN MILLIMETERS			SIZE A4	DWG NO
1 st ANGLE			FILE NAME: Stepper Motor 17HS8402.dft	REV
2 PL ±0.02 3 PL ±0.005			SCALE:	WEIGHT:
			SHEET 1 OF 1	