



The Power That Motion Your Future



Home > Showroom > Hybrid Stepper Motors

➔ **Home**

➔ **About us**

➔ **Showroom**



Hybrid Stepper Motors

2/4 Phase

- ➔8HY ➔11HY
- ➔14HY ➔14HM
- ➔14HK ➔14HR
- ➔16HM ➔16HY
- ➔17HM/K ➔17HS
- ➔23HM ➔23HS
- ➔23HY ➔24HS
- ➔34HS ➔34HY
- ➔43HS

➔Precision Linear Motor

3 Phase

- ➔23H3A ➔24H3A
- ➔34H3A

PM Stepper Motors

- ➔15PM ➔20PM
- ➔25PM ➔35PM
- ➔42PM ➔57PM
- ➔PM Stepper Gear Motors
- ➔35PM42Z Linear Motor
- ➔57PMZ Linear Motor

DC Brushless Motors

- ➔42BLDC ➔57BLDC
- ➔60BLDC ➔70BLDC
- ➔90BLDC ➔110BLDC
- ➔Brushless Servo Motor

DC Gear Motors

- ➔37ZY-36ZY
- ➔70JB-57ZYN
- ➔37ZY-528
- ➔1-025-050
- ➔45JBX1296 Planetary
- ➔56JBX-57ZYN Planetary
- ➔56JBX-57BLDC Planetary

➔ **Solution**

➔ **Support**

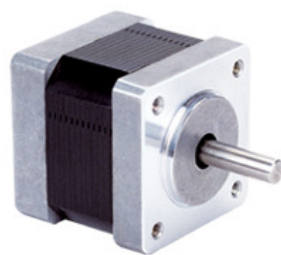
- ➔ Theory
- ➔ Products Code rule
- ➔ Guestbook
- ➔ Unipolar & Bipolar
- ➔ How to select driver
- ➔ Customized Solution

➔ **Feedback**

➔ **Contact us**



► 14HY Stepper Motor -35mm(1.8 degree)



Action



Inquire Basket

<< BACK

- Print This Page
- Email This Page
- Save to Favorites

- Products Name:** 14HY Stepper Motor -35mm(1.8 degree)
- Model:** 14HY

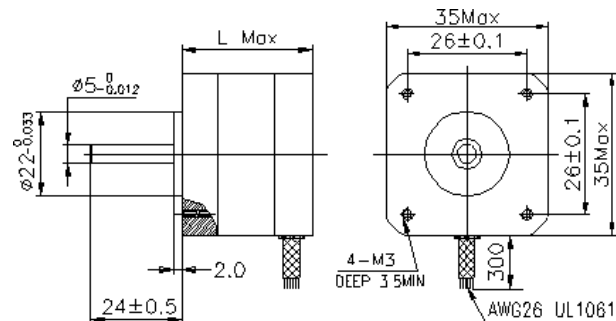
Details

Electrical Specifications:

Series Model	Step Angle (deg)	Motor Length (mm)	Rated Current (A)	Phase Resistance (ohm)	Phase Inductance (mH)	Holding Torque (N.cm Min)	Detent Torque (N.cm Max)	Rotor Inertia (g.cm ²)	Lead Wire (No.)	Motor Weight (g)
14HY9401	1.8	22	0.38	20	16	6	0.5	11	4	80
14HY2420	1.8	28	0.46	20	14	12	0.8	11	4	120
14HY2402	1.8	28	0.8	5.0	5.0	12	0.8	11	4	120
14HY2630	1.8	28	0.4	30	11	9	0.8	11	6	120
14HY3401	1.8	34	0.42	25	32	18	1.0	13	4	160
14HY3402	1.8	34	0.8	6.5	9.8	18	1.0	13	4	160
14HY3630	1.8	34	0.4	30	22	12	1.0	13	6	160
14HY5401	1.8	55	1.5	3.4	7.2	32	1.6	17	4	250

***Note: We can also manufacture products according to customer's requirements.**

Mechanical Dimensions:



Model	Length
14HY0XXX	20 mm
14HY2XXX	27 mm
14HY3XXX	34 mm

Wiring Diagram:

