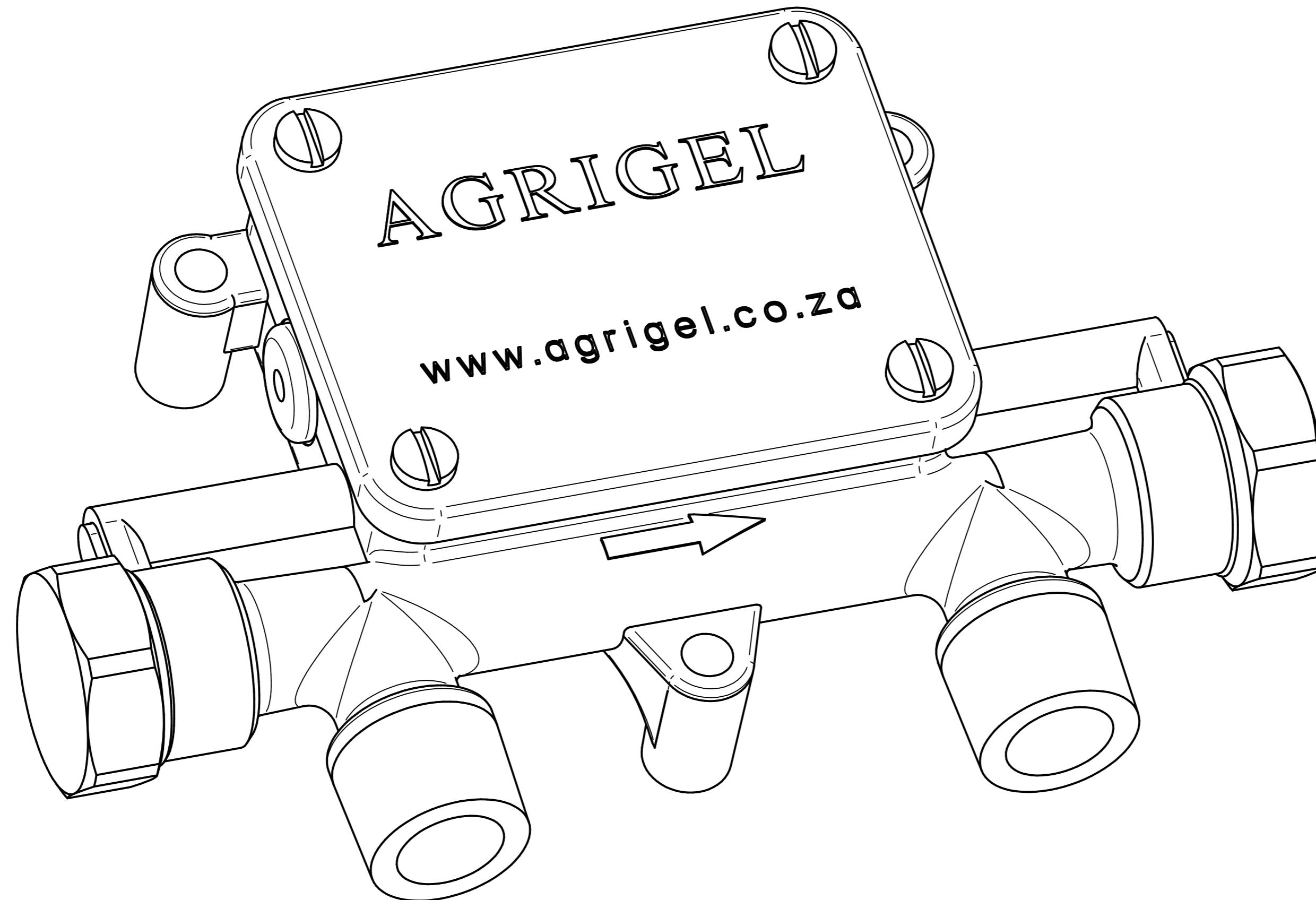

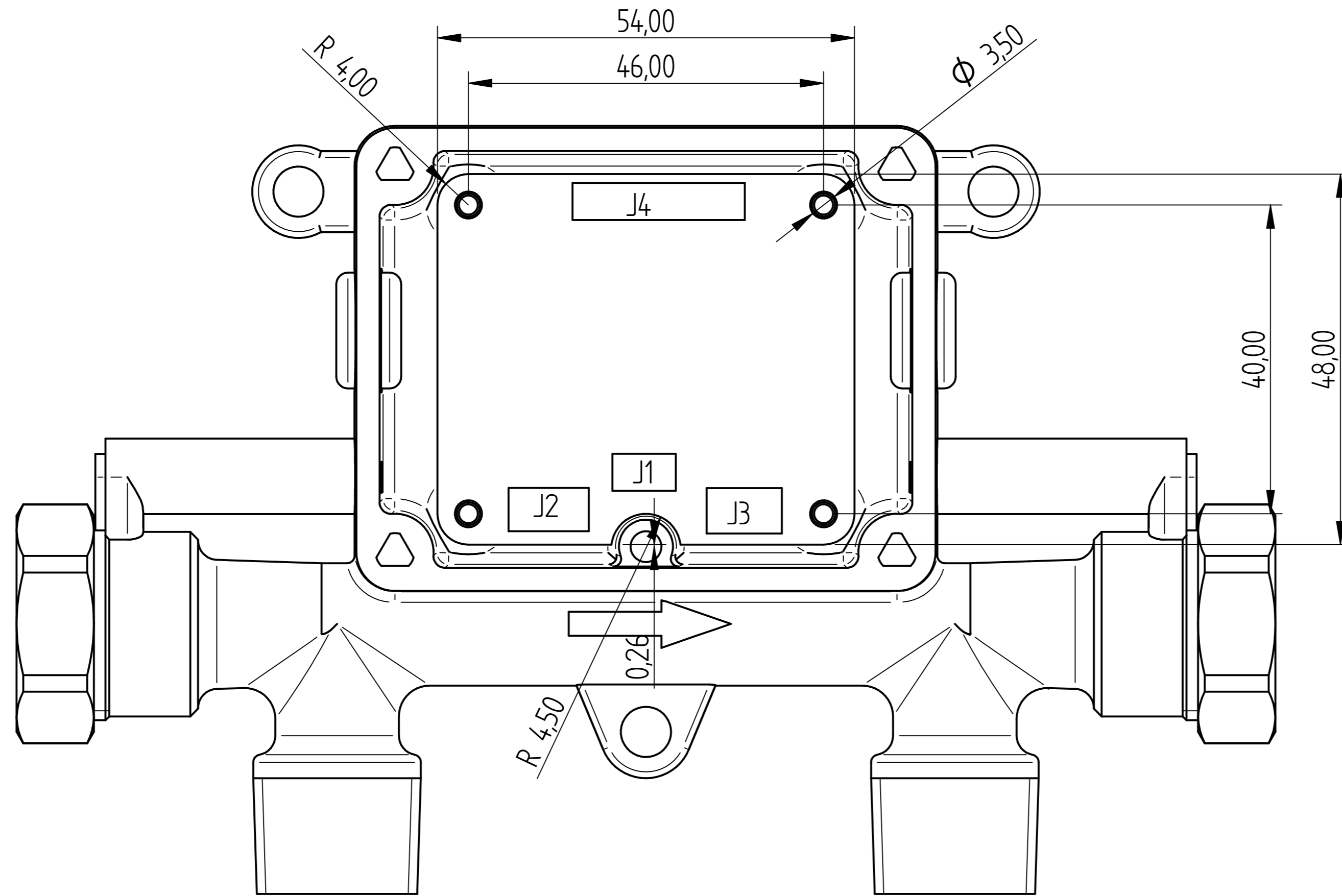


REVISION HISTORY			
REV	DESCRIPTION	DATE	APPROVED



	NAME	DATE	AGRIGEL	
DRAWN	DG	05/29/14		
APPROVED				
MATERIAL				
TREATMENT			TITLE	
UNLESS OTHERWISE SPECIFIED DIMENSIONS ARE IN MILLIMETERS			SIZE A4	DWG NO
1 st ANGLE  2 PL ±0.02 3 PL ±0.005			FILE NAME: Flow Meter.dft	
			SCALE:	WEIGHT:
			SHEET 1 OF 2	

REVISION HISTORY			
REV	DESCRIPTION	DATE	APPROVED



	NAME	DATE	AGRIGEL	
DRAWN	DG	05/29/14		
APPROVED				
MATERIAL				
TREATMENT			TITLE	
UNLESS OTHERWISE SPECIFIED DIMENSIONS ARE IN MILLIMETERS			SIZE A4	DWG NO
1 st ANGLE 			FILE NAME: Flow Meter.dft	
2 PL ±0.02 3 PL ±0.005			SCALE:	WEIGHT:
			SHEET 2 OF 2	