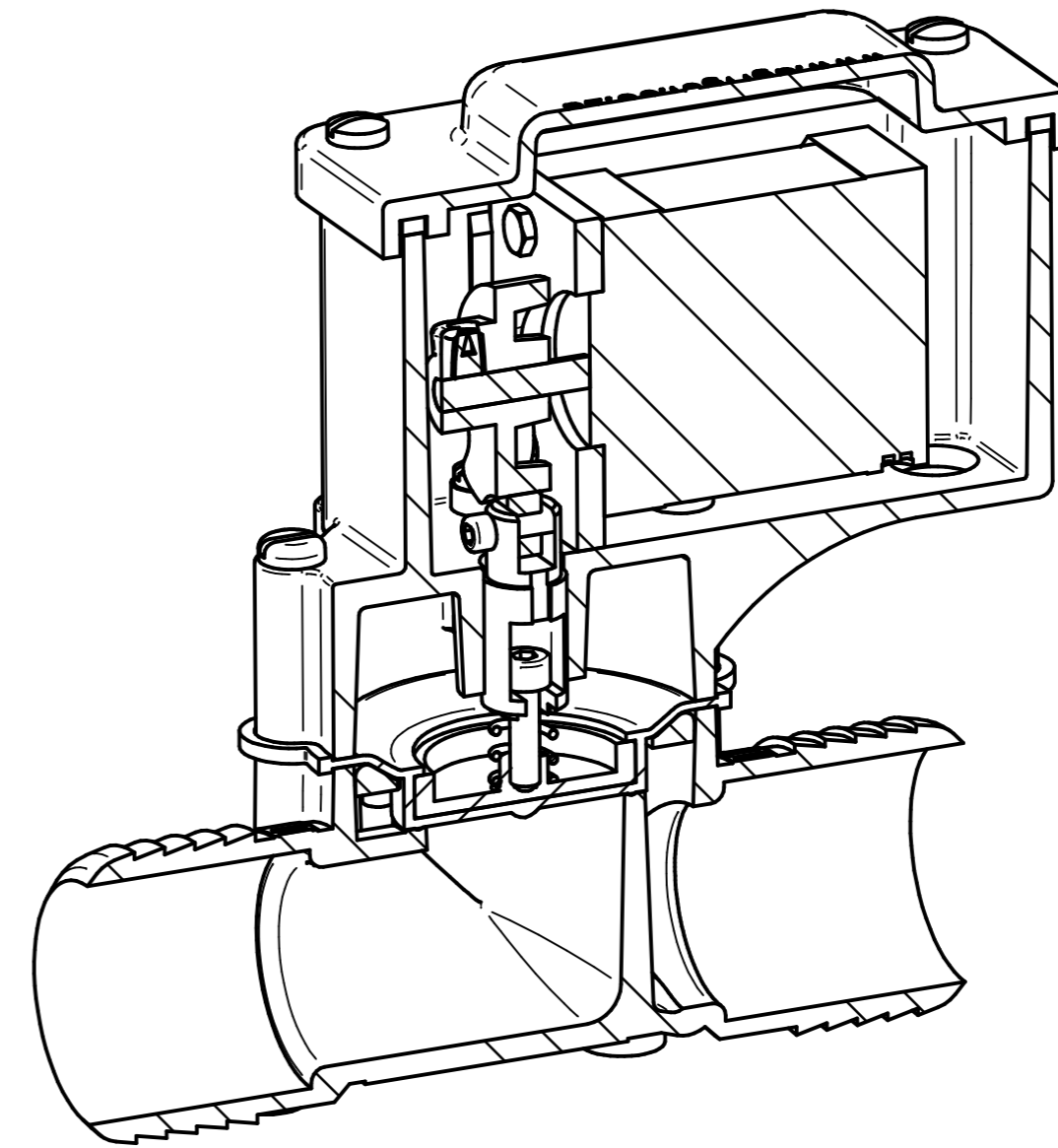
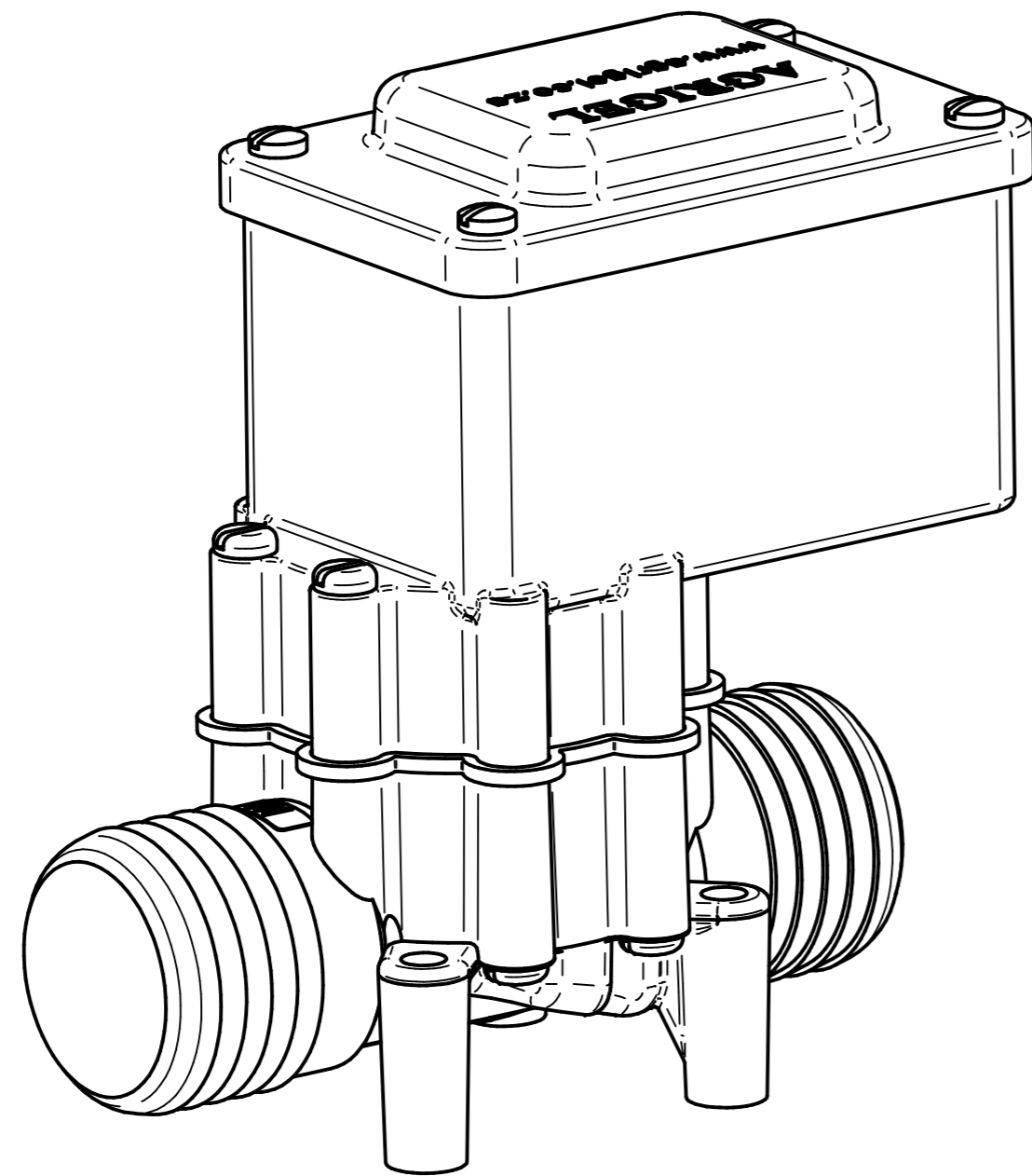


| REVISION HISTORY |             |      |          |
|------------------|-------------|------|----------|
| REV              | DESCRIPTION | DATE | APPROVED |
|                  |             |      |          |



|   |      |          |  |         |
|---|------|----------|--|---------|
|   | NAME | DATE     | <b>AGRIGEL</b>                           |         |
| DRAWN   | Dan  | 03/28/19 |  |         |
| APPROVED  |      |          |  |         |
| MATERIAL  |      |          |  |         |
| TREATMENT   |      |          | TITLE                                    |         |
| UNLESS OTHERWISE SPECIFIED<br>DIMENSIONS ARE IN MILLIMETERS |      |          | SIZE<br>A4                               | DWG NO  |
| 1st ANGLE<br>ANGLES ±0.1°                                   |      |          | FILE NAME: Pressure Control Valve 40.dft | REV     |
| 2 PL ±0.02 3 PL ±0.005                                      |      |          | SCALE:                                   | WEIGHT: |
|   |      |          | SHEET 1 OF 1                             |         |