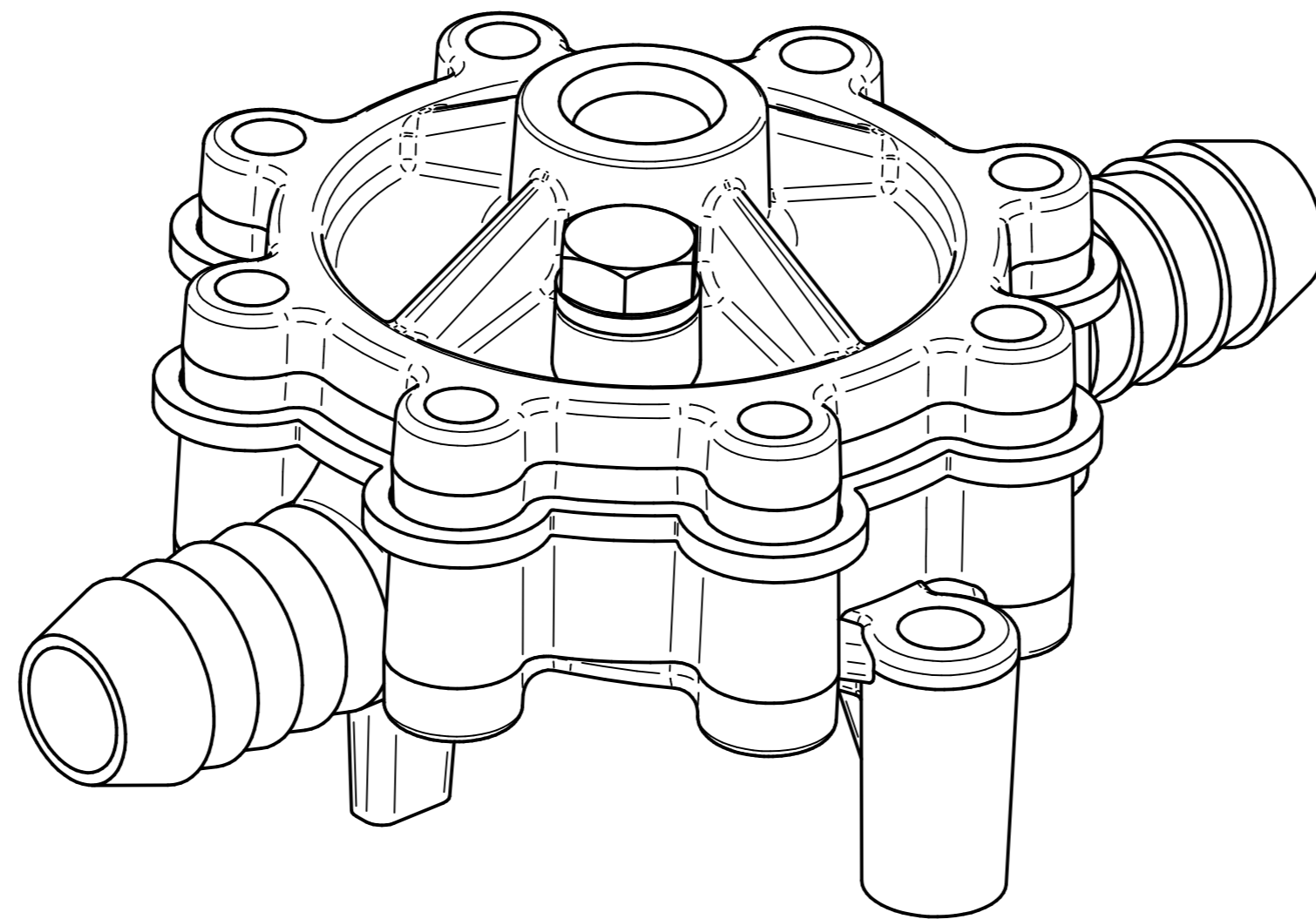



REVISION HISTORY			
REV	DESCRIPTION	DATE	APPROVED



	NAME	DATE	<b>AGRIGEL</b>	
DRAWN	Dan	05/28/19		
APPROVED				
MATERIAL				
TREATMENT			TITLE	
UNLESS OTHERWISE SPECIFIED DIMENSIONS ARE IN MILLIMETERS			SIZE A4	DWG NO
1 <sup>st</sup> ANGLE  2 PL ±0.02 3 PL ±0.005			FILE NAME: Pressure Housing.dft	REV
			SCALE:	WEIGHT:
			SHEET 1 OF 1	