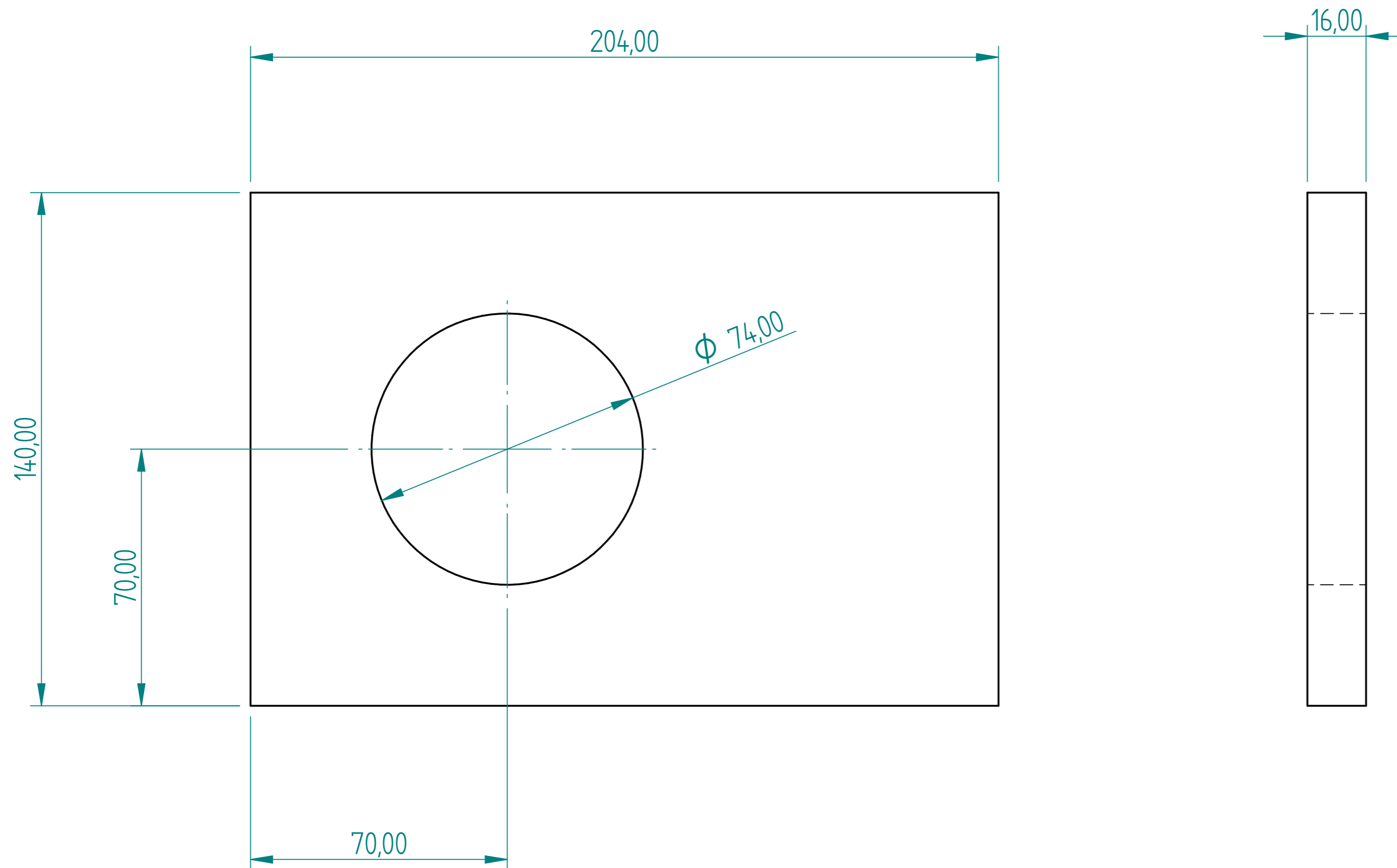


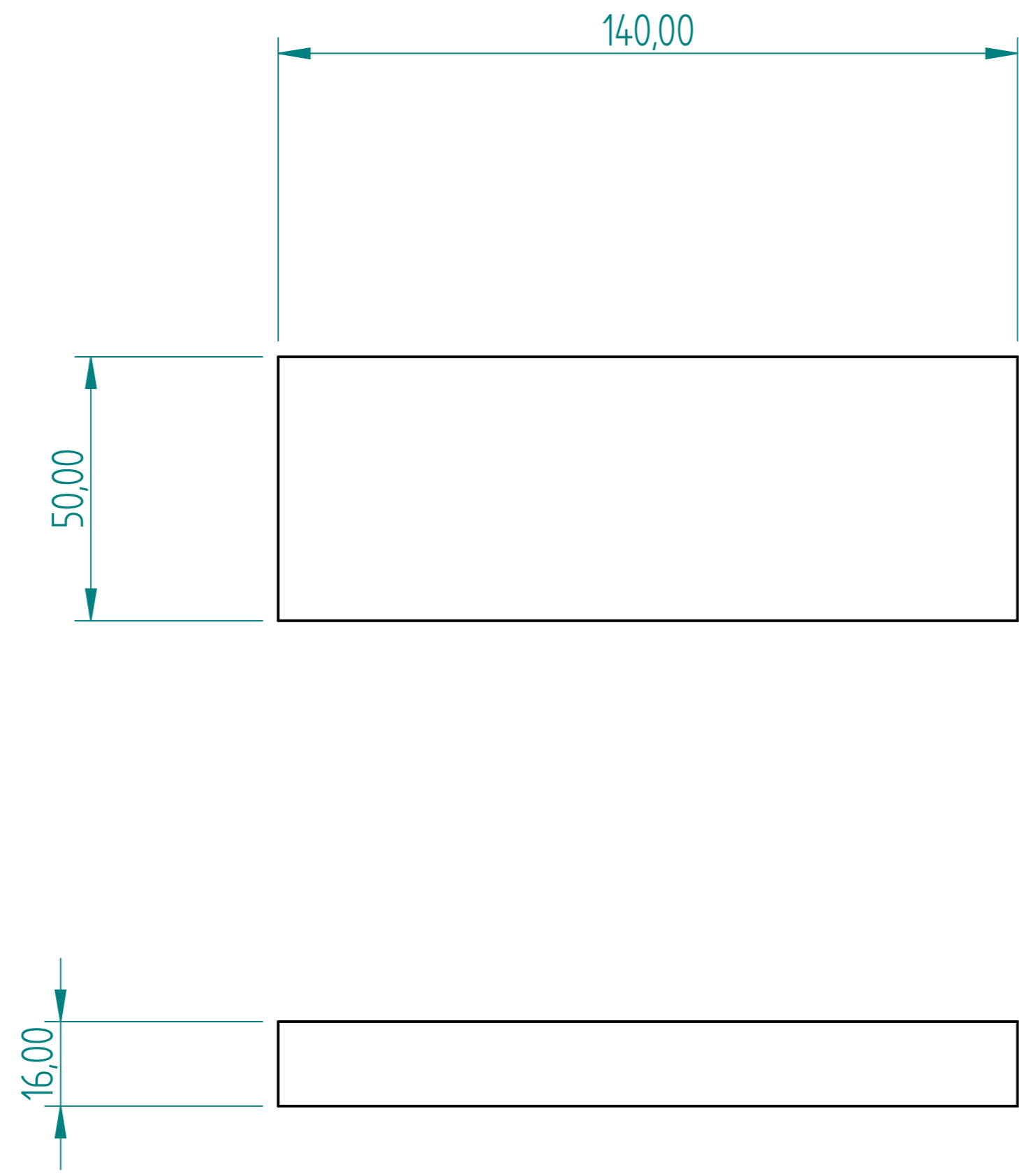
REVISION HISTORY			
REV	DESCRIPTION	DATE	APPROVED



Motor Mounting Plate

	NAME	DATE	AGRIGEL	
DRAWN	DG	09/15/17		
APPROVED			TITLE Motor Mounting Plate	
MATERIAL				
TREATMENT			SIZE A4	
UNLESS OTHERWISE SPECIFIED DIMENSIONS ARE IN MILLIMETERS				
1 st ANGLE ANGLES $\pm 0,1^\circ$			FILE NAME: Motor Mounting Plate.dft	
2 PL $\pm 0,02$ 3 PL $\pm 0,005$			SCALE:	WEIGHT:
			SHEET 4 OF 5	

REVISION HISTORY			
REV	DESCRIPTION	DATE	APPROVED



Motor Mount Foot Plate

	NAME	DATE	AGRIGEL		
DRAWN	DG	09/15/17			
APPROVED					
MATERIAL					
TREATMENT			TITLE Motor Mounting Plate		
UNLESS OTHERWISE SPECIFIED DIMENSIONS ARE IN MILLIMETERS			SIZE A4	DWG NO	REV
1 st ANGLE ANGLES ±0.1°			FILE NAME: Motor Mounting Plate.dft		
2 PL ±0.02 3 PL ±0.005			SCALE:	WEIGHT:	SHEET 5 OF 5