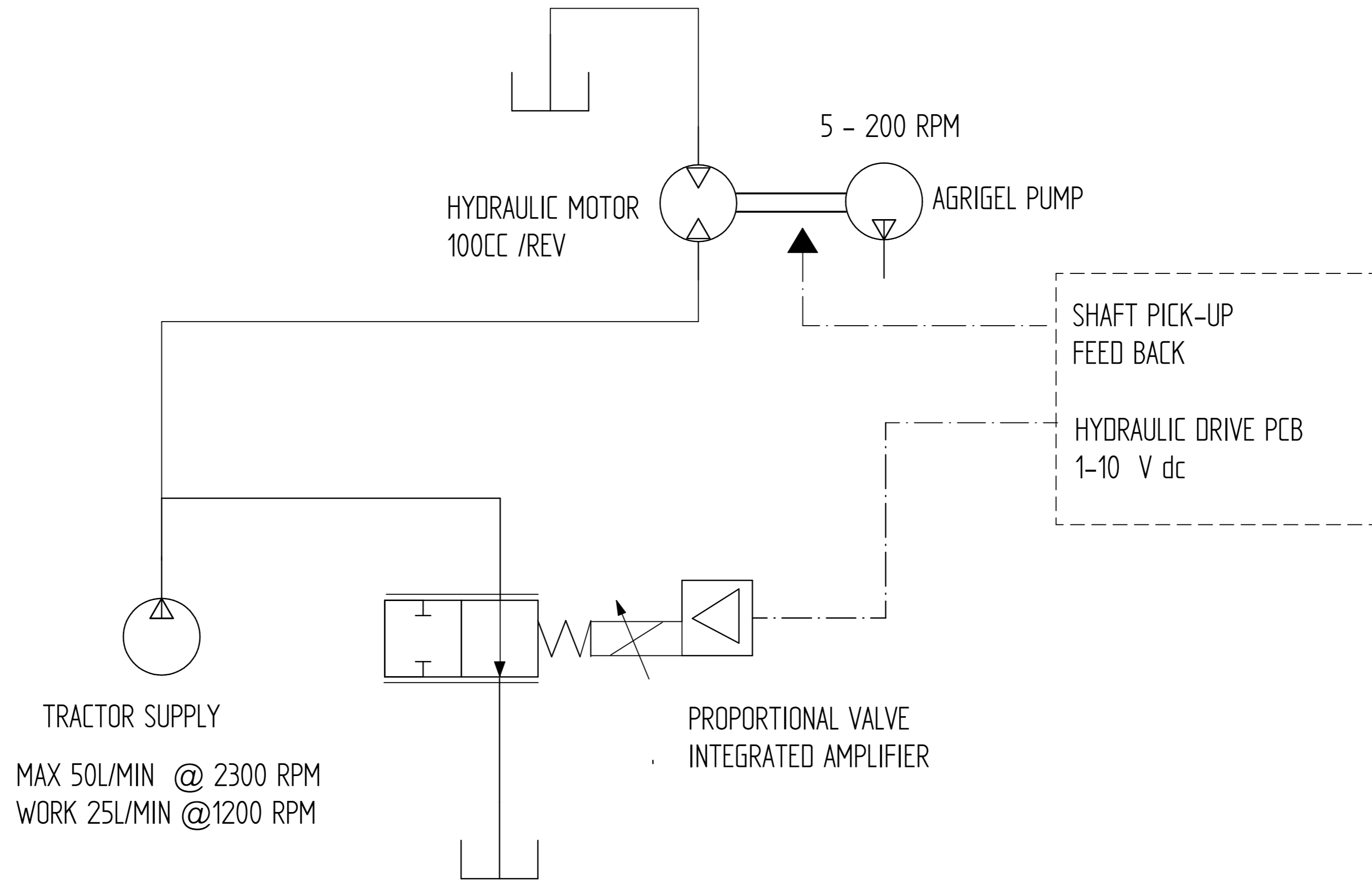


REVISION HISTORY			
REV	DESCRIPTION	DATE	APPROVED



## HYDRAULIC DRIVE CONTROL

	NAME	DATE	<b>AGRIGEL</b>		
DRAWN	DG	07/06/17			
APPROVED			TITLE Hydraulic Drive Control		
MATERIAL					
TREATMENT			SIZE A4	DWG NO	REV
UNLESS OTHERWISE SPECIFIED DIMENSIONS ARE IN MILLIMETERS			FILE NAME: Hydraulic Drive Control.dft		
1st ANGLE 2 PL ±0.02 3 PL ±0.005			SCALE:	WEIGHT:	SHEET 5 OF 5