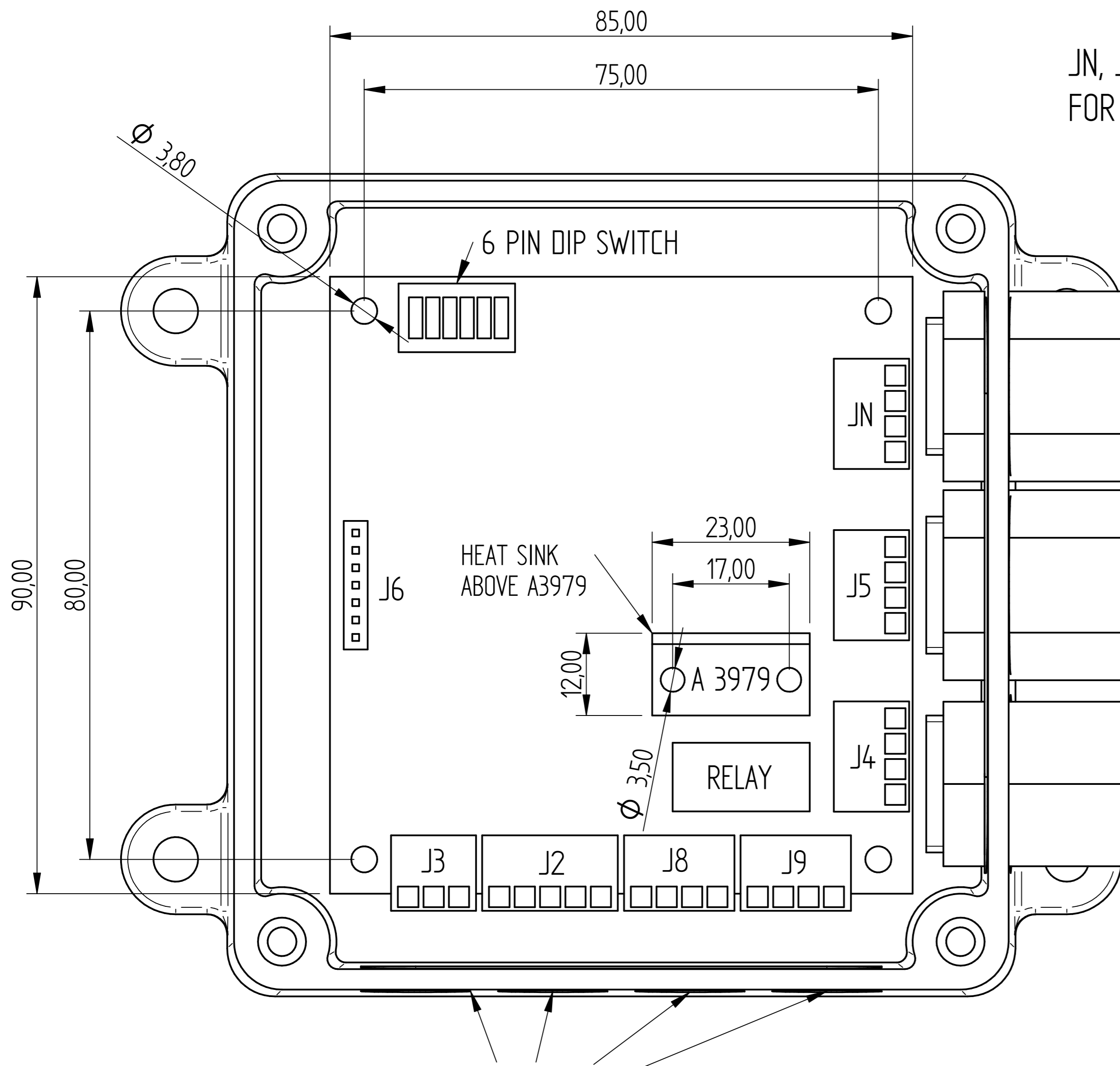
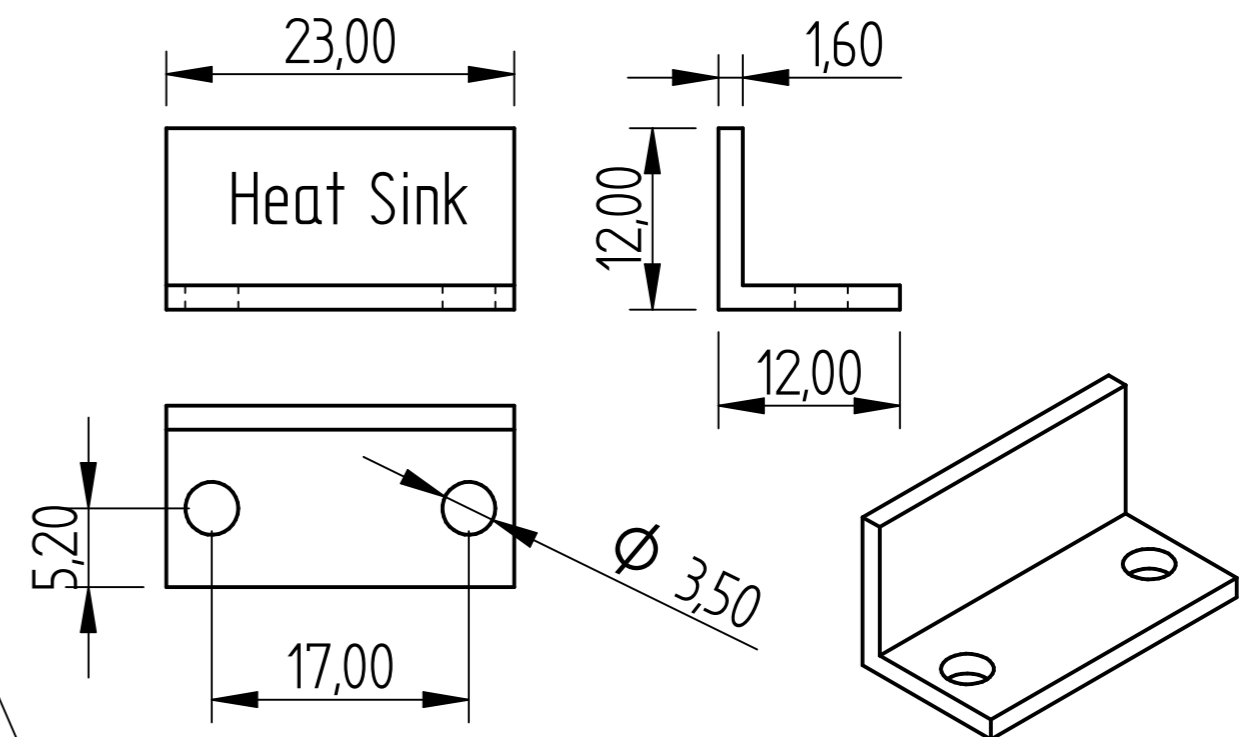


REVISION HISTORY			
REV	DESCRIPTION	DATE	APPROVED



JN, J5 & J4 MUST BE IN ON THE BOARD TO ALLOW FOR CLEARANCE FROM THE CABLE GLANDS.

A HEAT SINK IS MOUNTED ABOVE A3979 WITH M3 SCREWS & NUTS



3 CABLE GLANDS

J6 IS THE SWITCH MEMBRANE CONNECTOR & NEEDS TO BE IN THE MIDDLE OF & ON THE EDGE OF THE BOARD AS INDICATED. IF POSSIBLE, TRY TO AVOID TALL COMPONENTS IN THE MIDDLE OF THE BOARD THAT COULD GET IN THE WAY OF THE CONNECTOR CABLE.

4 SMALL HOLES WITH CABLE GROMMITS

J3, J2, J8 & J9 CAN PROTRUDE PAST THE BOARD BY 2mm IF REQUIRED

	NAME	DATE	<b>AGRIGEL</b>	
DRAWN	Dan	01/22/13		
APPROVED			TITLE	
MATERIAL				
TREATMENT				
UNLESS OTHERWISE SPECIFIED DIMENSIONS ARE IN MILLIMETERS			SIZE	DWG NO
1st ANGLE			A4	
2 PL ±0.02 3 PL ±0.005			FILE NAME: Flow Control Board Box.dft	
			SCALE:	WEIGHT:
			SHEET 3 OF 3	