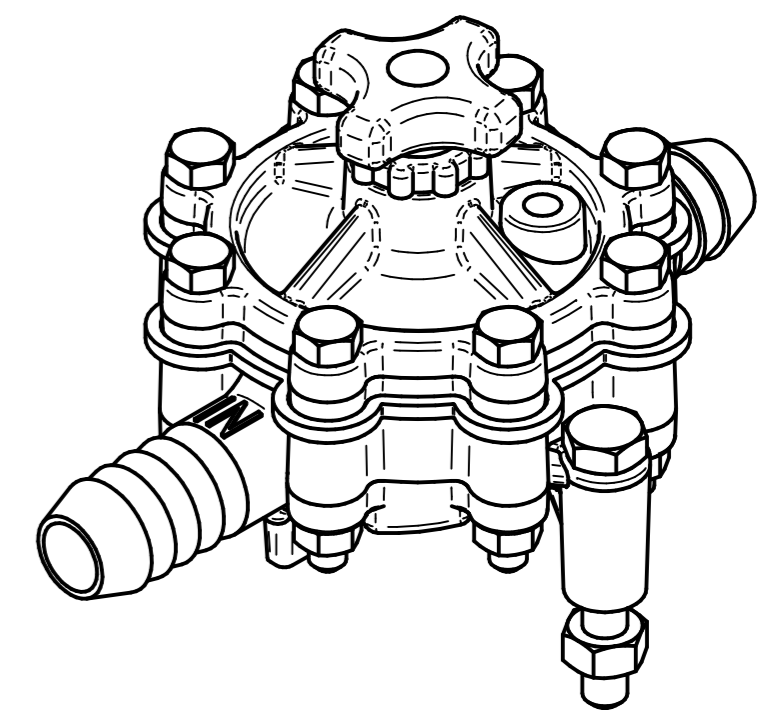
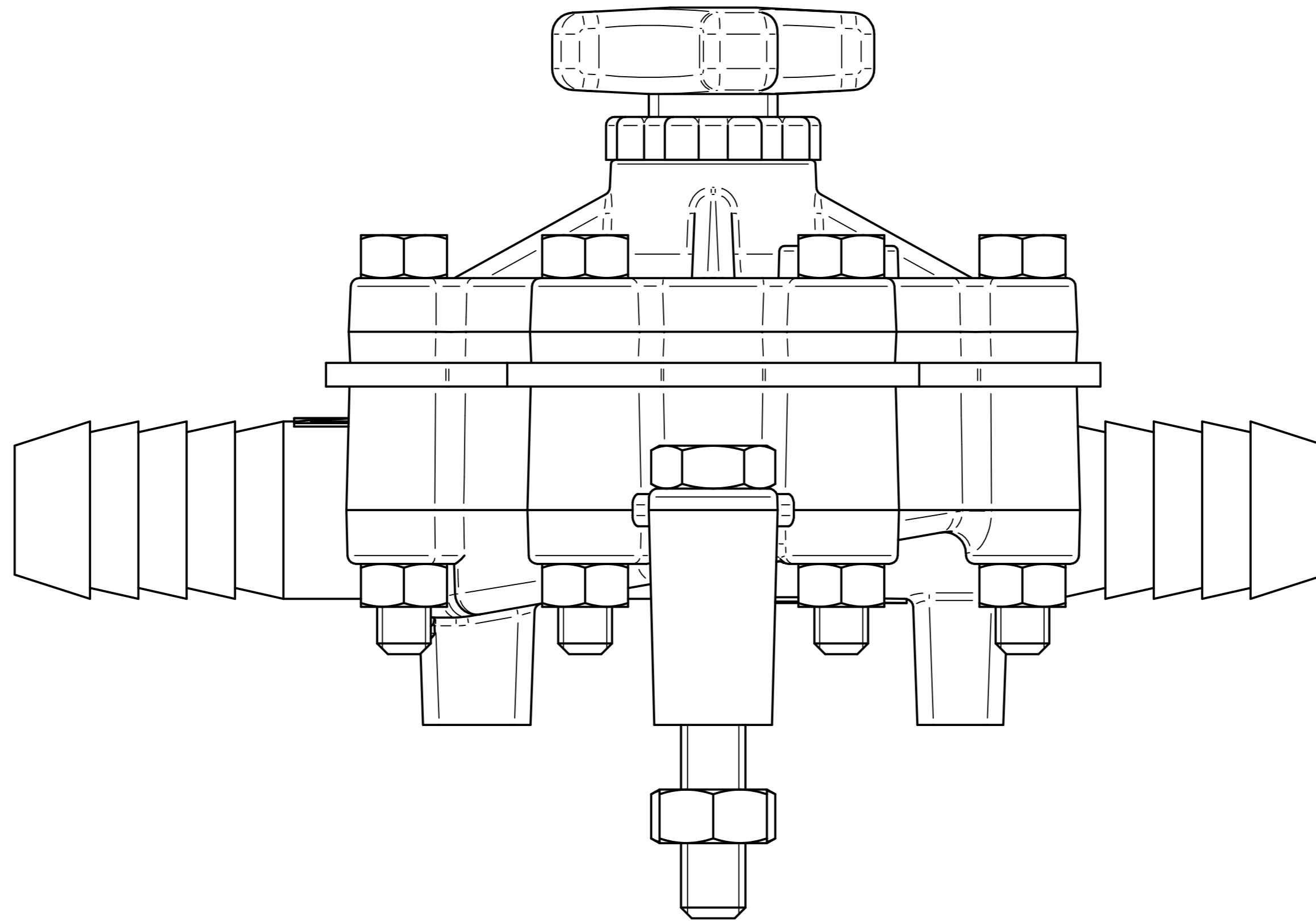


REVISION HISTORY			
REV	DESCRIPTION	DATE	APPROVED



	NAME	DATE	AGRIGEL	
DRAWN	DG	10/31/17		
APPROVED				
MATERIAL				
TREATMENT			TITLE	
UNLESS OTHERWISE SPECIFIED DIMENSIONS ARE IN MILLIMETERS			SIZE A4	DWG NO
1 st ANGLE 2 PL ±0.02 3 PL ±0.005			FILE NAME: Manual Flow Control Valve.dft	
			SCALE:	WEIGHT:
			SHEET 1 OF 1	