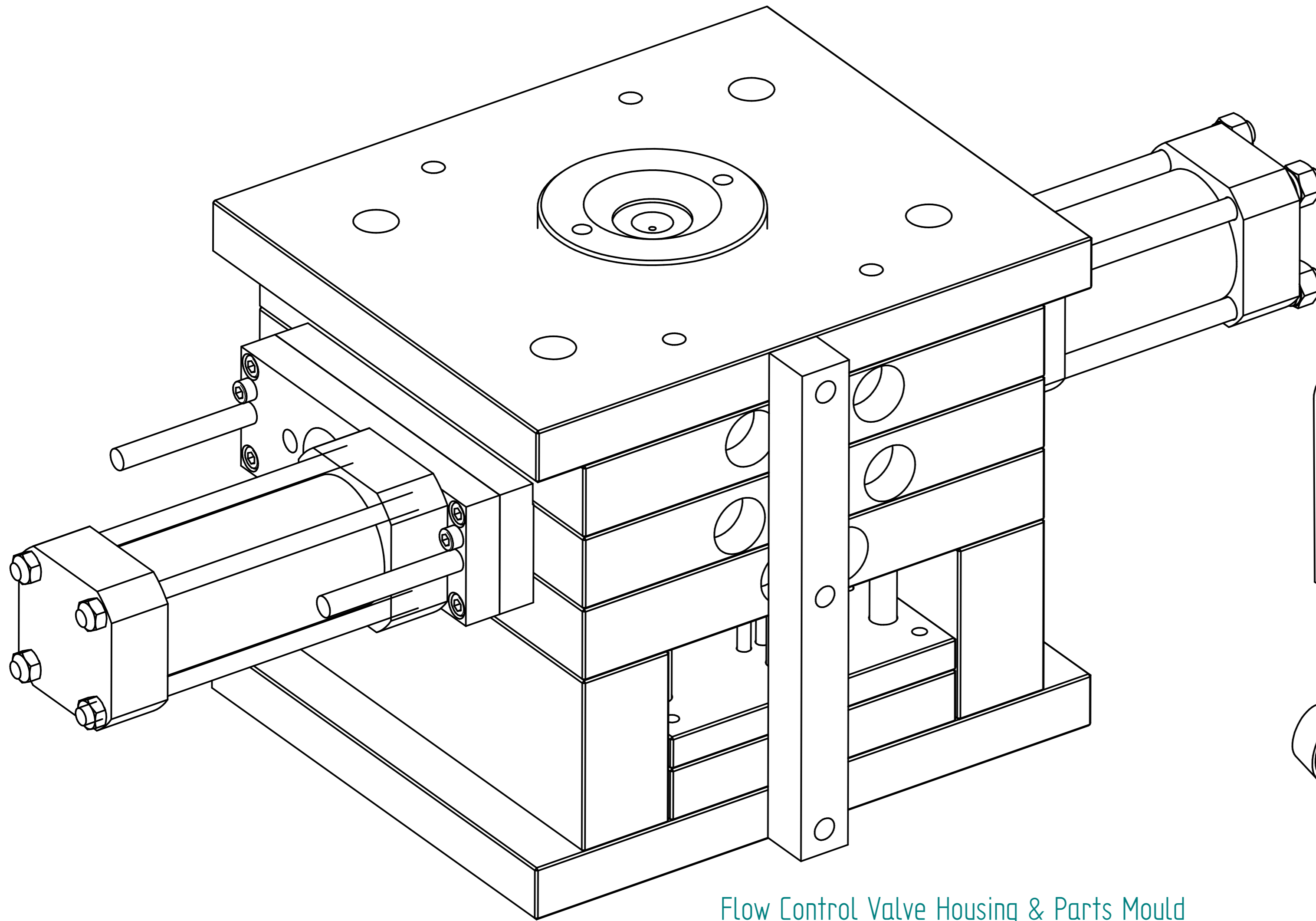
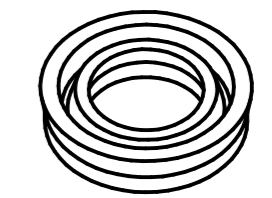


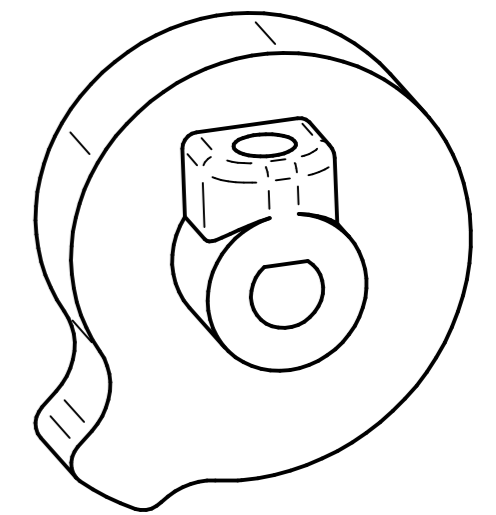
REVISION HISTORY			
REV	DESCRIPTION	DATE	APPROVED



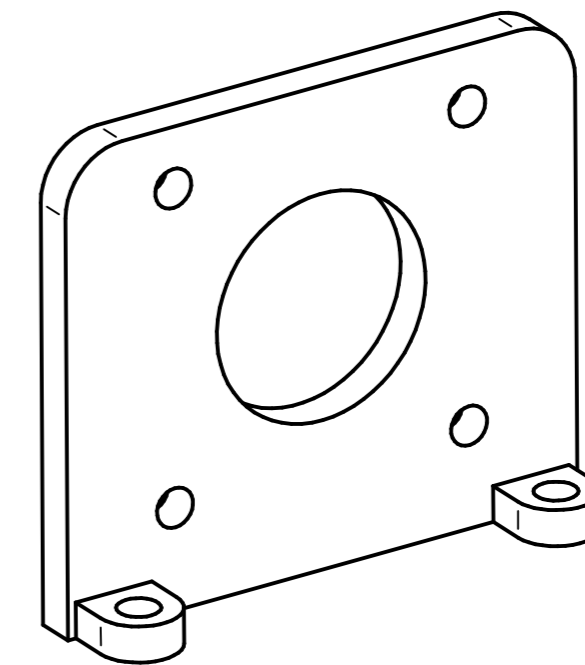
Flow Control Valve Housing & Parts Mould



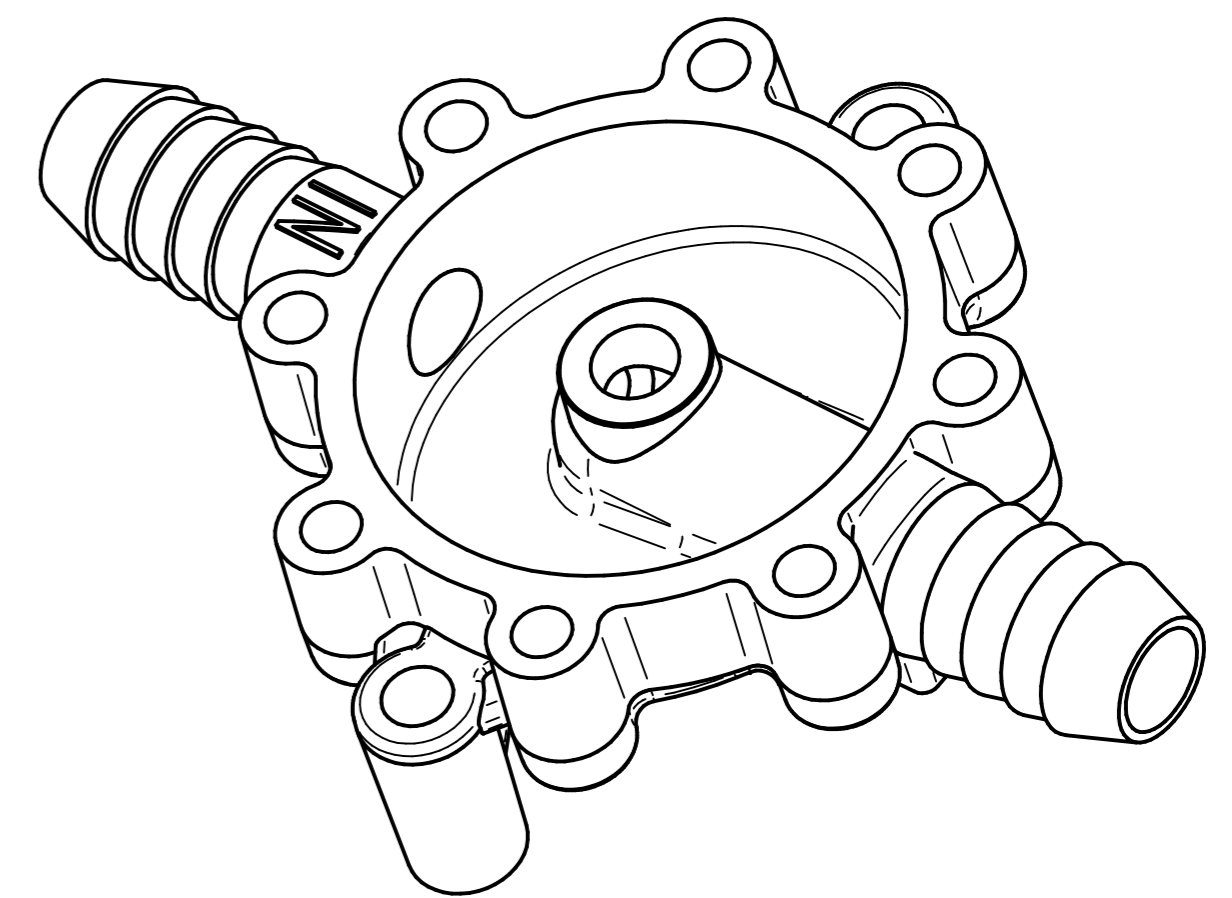
Pilot Seal



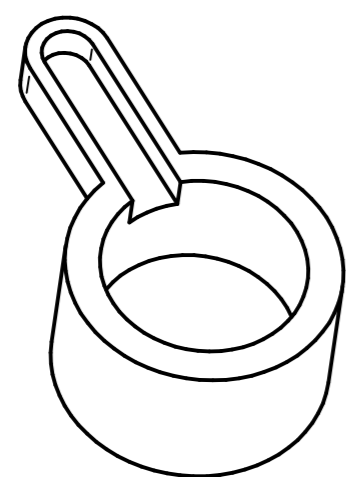
Cam 2



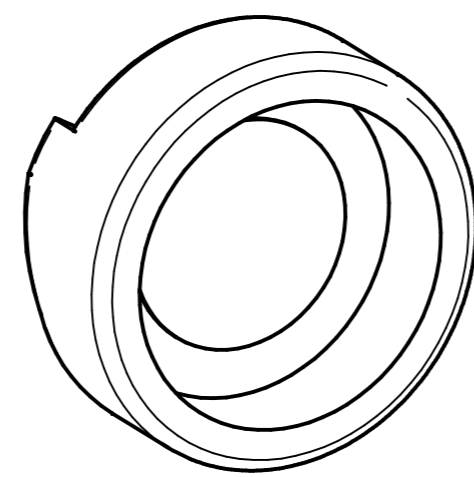
Stepper Motor Plate



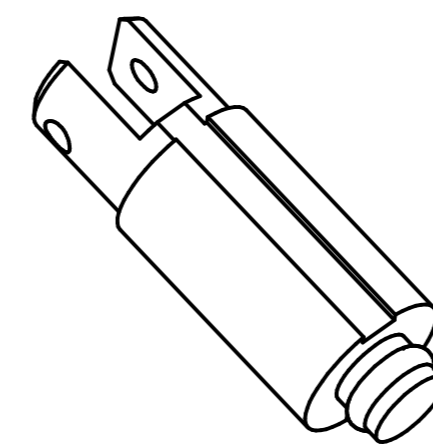
Flow Control Valve Housing



Transducer Spacer



Transducer Cap



Diaphragm Plunger

DRAWN	OG	DATE	10/31/17	AGRIGEL	
APPROVED					
MATERIAL				TITLE	
TREATMENT				Housing & Parts Mould	
UNLESS OTHERWISE SPECIFIED DIMENSIONS ARE IN MILLIMETERS				SIZE	DWG NO
ANGLES ±0.1°				A4	
1st ANGLE				FILE NAME: Housing & Parts Mould.dft	
2 PL ±0.02 3 PL ±0.005				SCALE:	WEIGHT:
					SHEET 1 OF 32