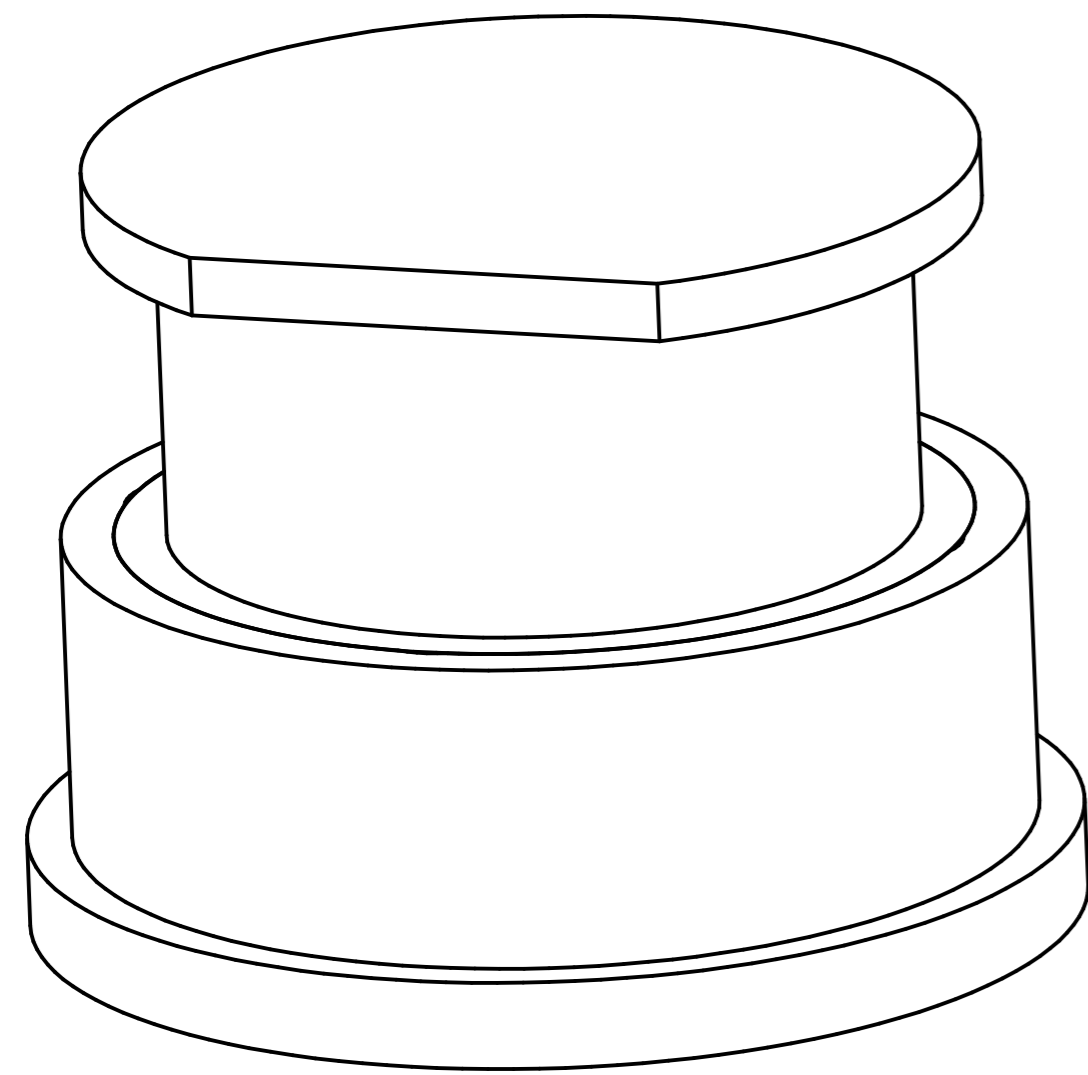
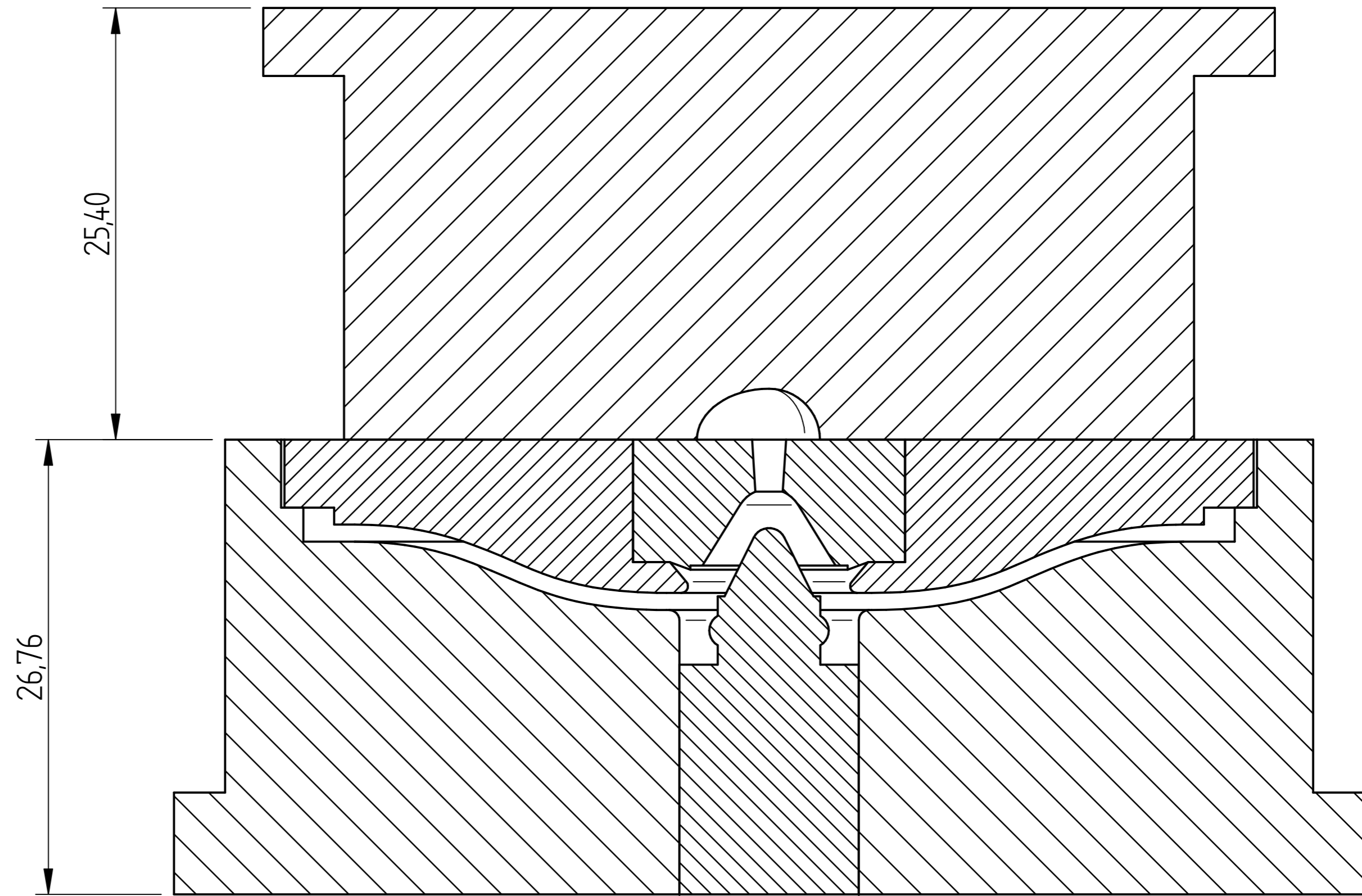


REVISION HISTORY			
REV	DESCRIPTION	DATE	APPROVED



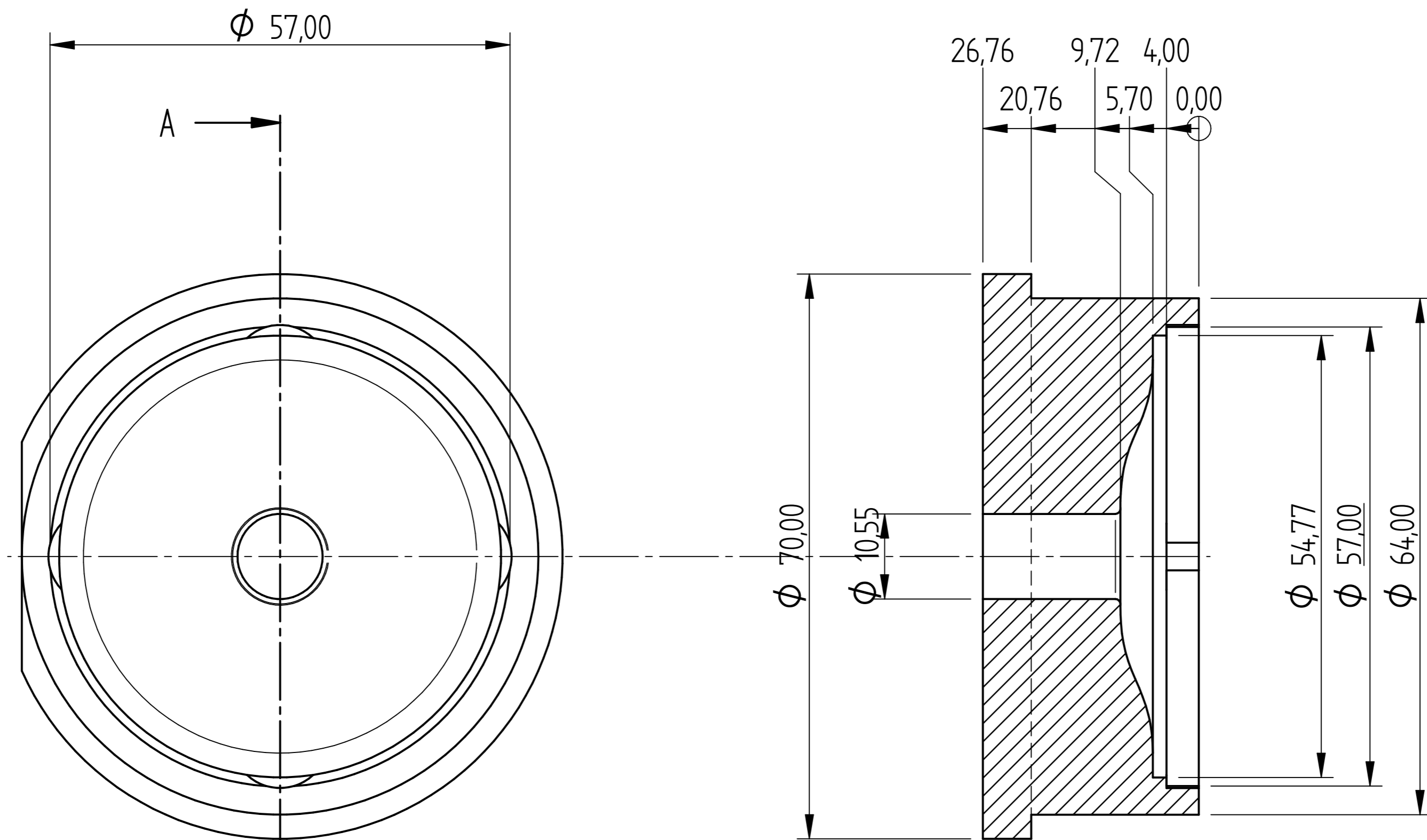
Diaphragm



Diaphragm

	NAME	DATE	AGRIGEL	
DRAWN	Dan	10/31/17		
APPROVED				
MATERIAL				
TREATMENT			TITLE	Diaphragm
UNLESS OTHERWISE SPECIFIED DIMENSIONS ARE IN MILLIMETERS			SIZE	DWG NO
1 st ANGLE 2 PL ±0.02 3 PL ±0.005			A4	
			FILE NAME: Diaphragm.dft	REV
			SCALE:	WEIGHT:
				SHEET 1 OF 6

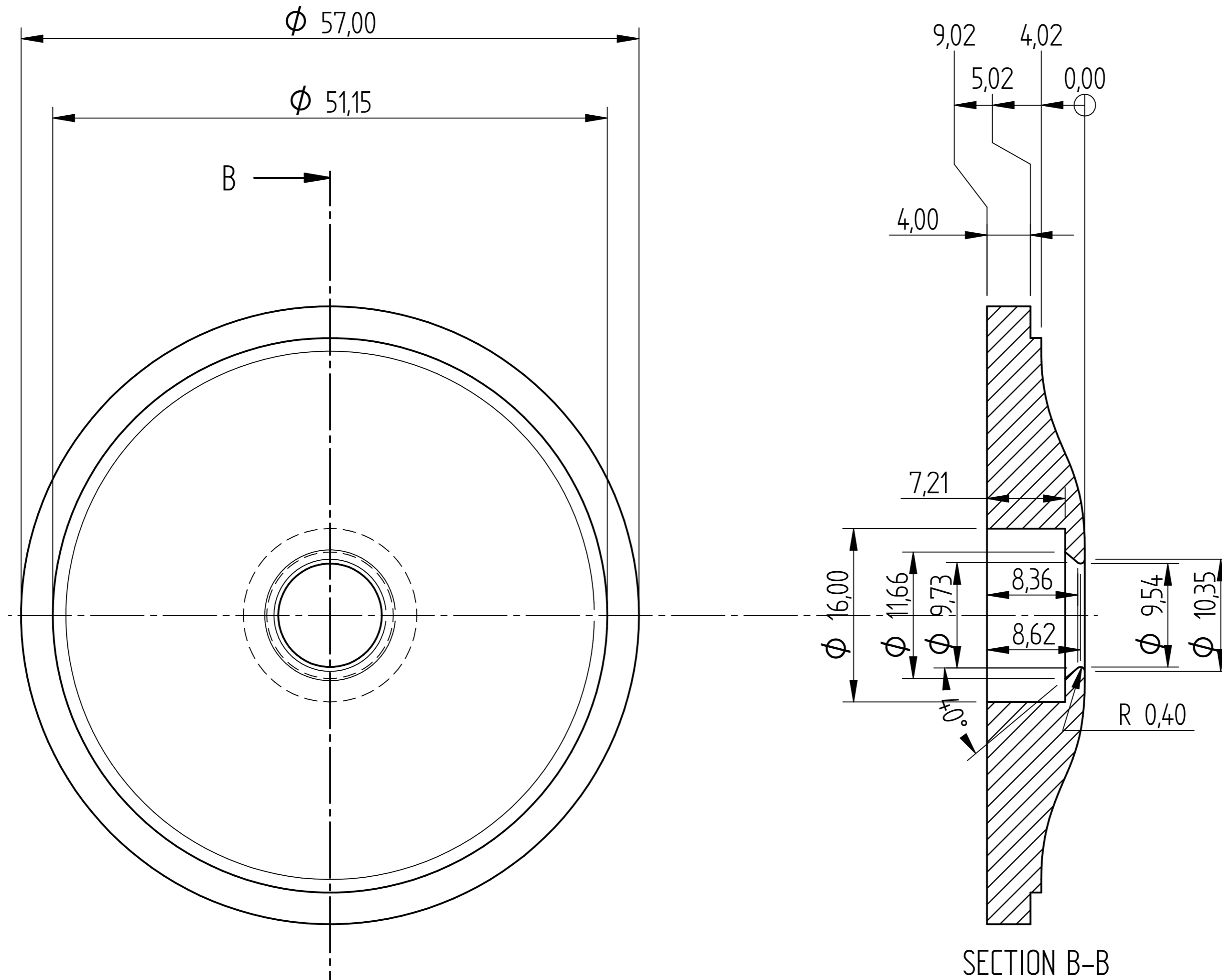
REVISION HISTORY			
REV	DESCRIPTION	DATE	APPROVED



SECTION A-A
Old MH Die Ring

	NAME	DATE	AGRIGEL		
DRAWN	Dan	10/31/17			
APPROVED					
MATERIAL					
TREATMENT			TITLE Diaphragm		
UNLESS OTHERWISE SPECIFIED DIMENSIONS ARE IN MILLIMETERS			SIZE A4	DWG NO	REV
1 st ANGLE ANGLES ±0.1°			FILE NAME: Diaphragm.dft		
2 PL ±0.02 3 PL ±0.005			SCALE:	WEIGHT:	SHEET 2 OF 6

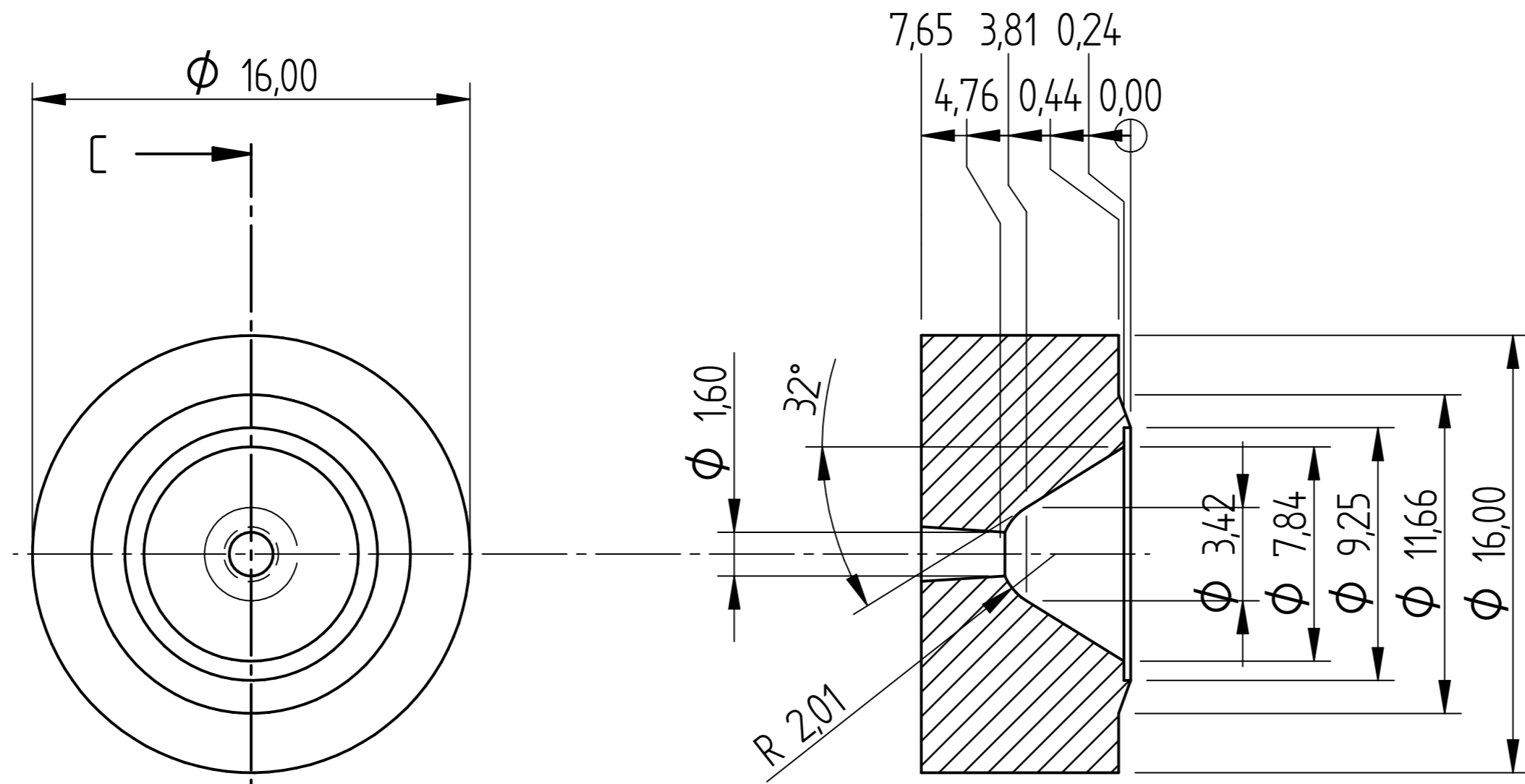
REVISION HISTORY			
REV	DESCRIPTION	DATE	APPROVED



Diaphragm Top Core Outer

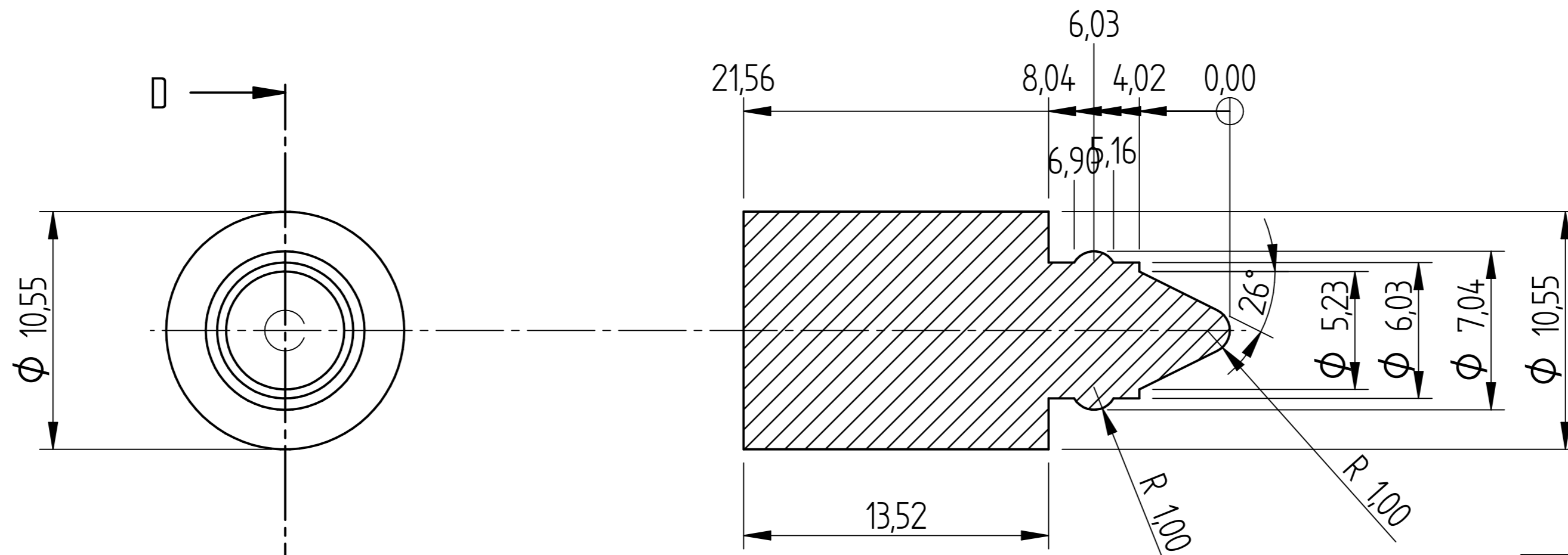
	NAME	DATE	AGRIGEL	
DRAWN	Dan	10/31/17		
APPROVED				
MATERIAL				
TREATMENT			TITLE	Diaphragm
UNLESS OTHERWISE SPECIFIED DIMENSIONS ARE IN MILLIMETERS			SIZE	DWG NO
1 st ANGLE ANGLES $\pm 0,1^\circ$				
2 PL $\pm 0,02$ 3 PL $\pm 0,005$			FILE NAME: Diaphragm.dft	REV
	SCALE:	WEIGHT:	SHEET 3 OF 6	

REVISION HISTORY			
REV	DESCRIPTION	DATE	APPROVED



SECTION C-C

Diaphragm Top Core Inner

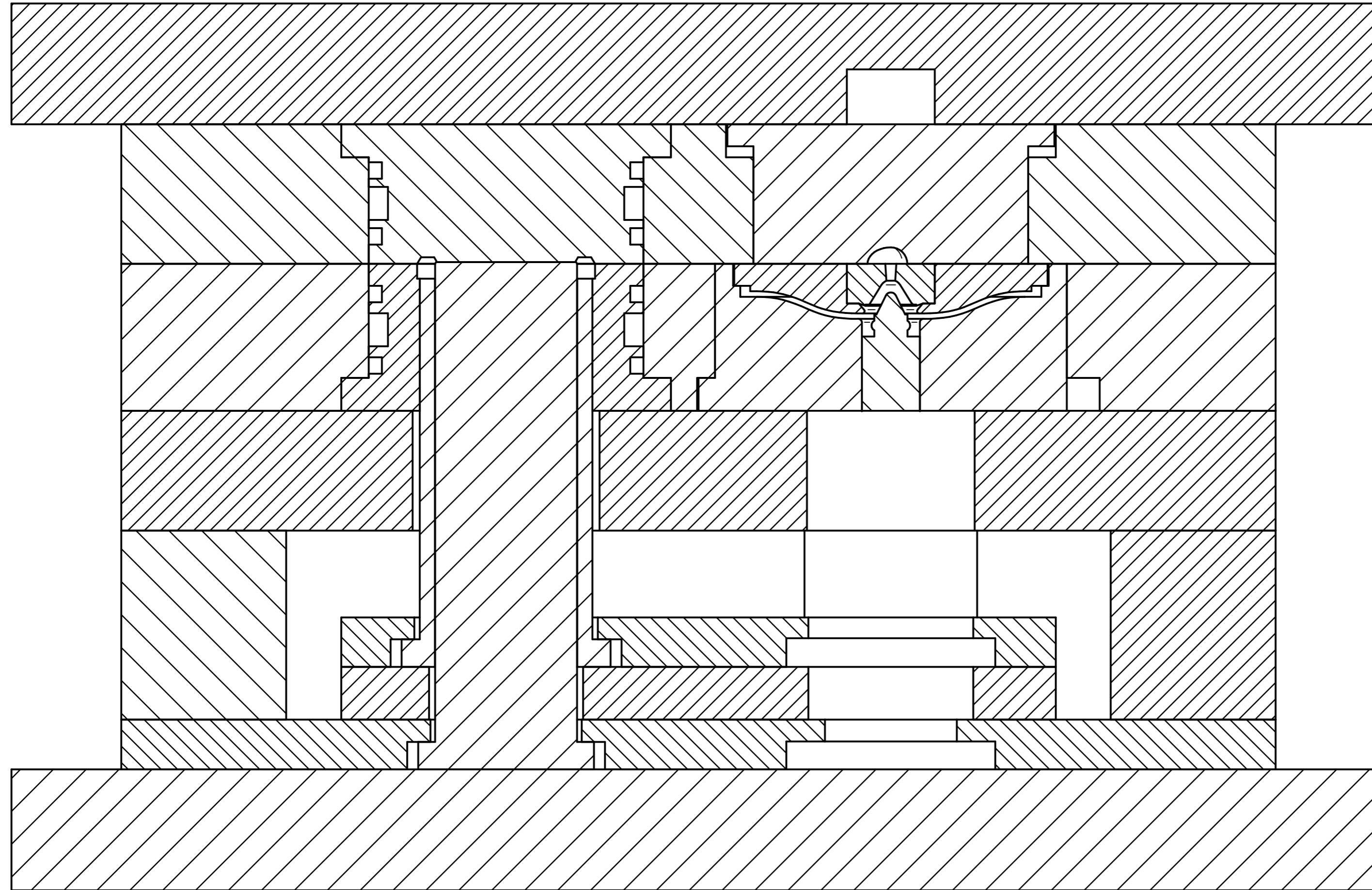


SECTION D-D

Diaphragm Core Pin Clip

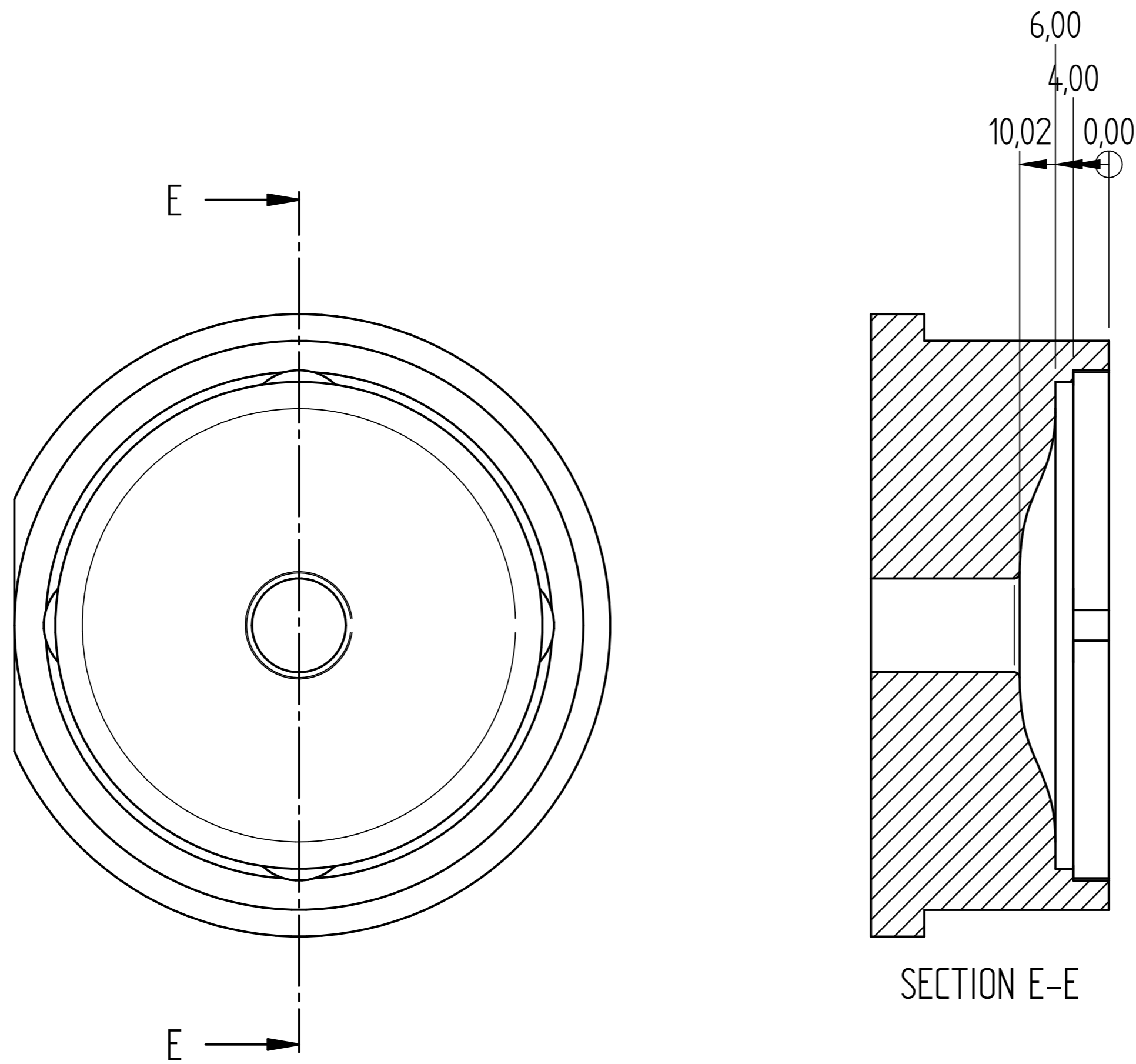
	NAME	DATE	AGRIGEL		
DRAWN	Dan	10/31/17			
APPROVED			TITLE Diaphragm		
MATERIAL					
TREATMENT			SIZE A4	DWG NO	REV
UNLESS OTHERWISE SPECIFIED DIMENSIONS ARE IN MILLIMETERS			FILE NAME: Diaphragm.dft		
1 st ANGLE 2 PL ±0.02 3 PL ±0.005			SCALE:	WEIGHT:	SHEET 4 OF 6

REVISION HISTORY			
REV	DESCRIPTION	DATE	APPROVED



	NAME	DATE	AGRIGEL	
DRAWN	Dan	10/31/17		
APPROVED				
MATERIAL				
TREATMENT			TITLE	Diaphragm
UNLESS OTHERWISE SPECIFIED DIMENSIONS ARE IN MILLIMETERS			SIZE	DWG NO
1 st ANGLE ANGLES ±0.1°			A4	
2 PL ±0.02 3 PL ±0.005			FILE NAME: Diaphragm.dft	REV
			SCALE:	WEIGHT:
				SHEET 5 OF 6

REVISION HISTORY			
REV	DESCRIPTION	DATE	APPROVED



	NAME	DATE	AGRIGEL		
DRAWN	Dan	10/31/17			
APPROVED					
MATERIAL					
TREATMENT			TITLE Diaphragm		
UNLESS OTHERWISE SPECIFIED DIMENSIONS ARE IN MILLIMETERS			SIZE A4	DWG NO	REV
1 st ANGLE ANGLES ±0.1°			FILE NAME: Diaphragm.dft		
2 PL ±0.02 3 PL ±0.005			SCALE:	WEIGHT:	SHEET 6 OF 6