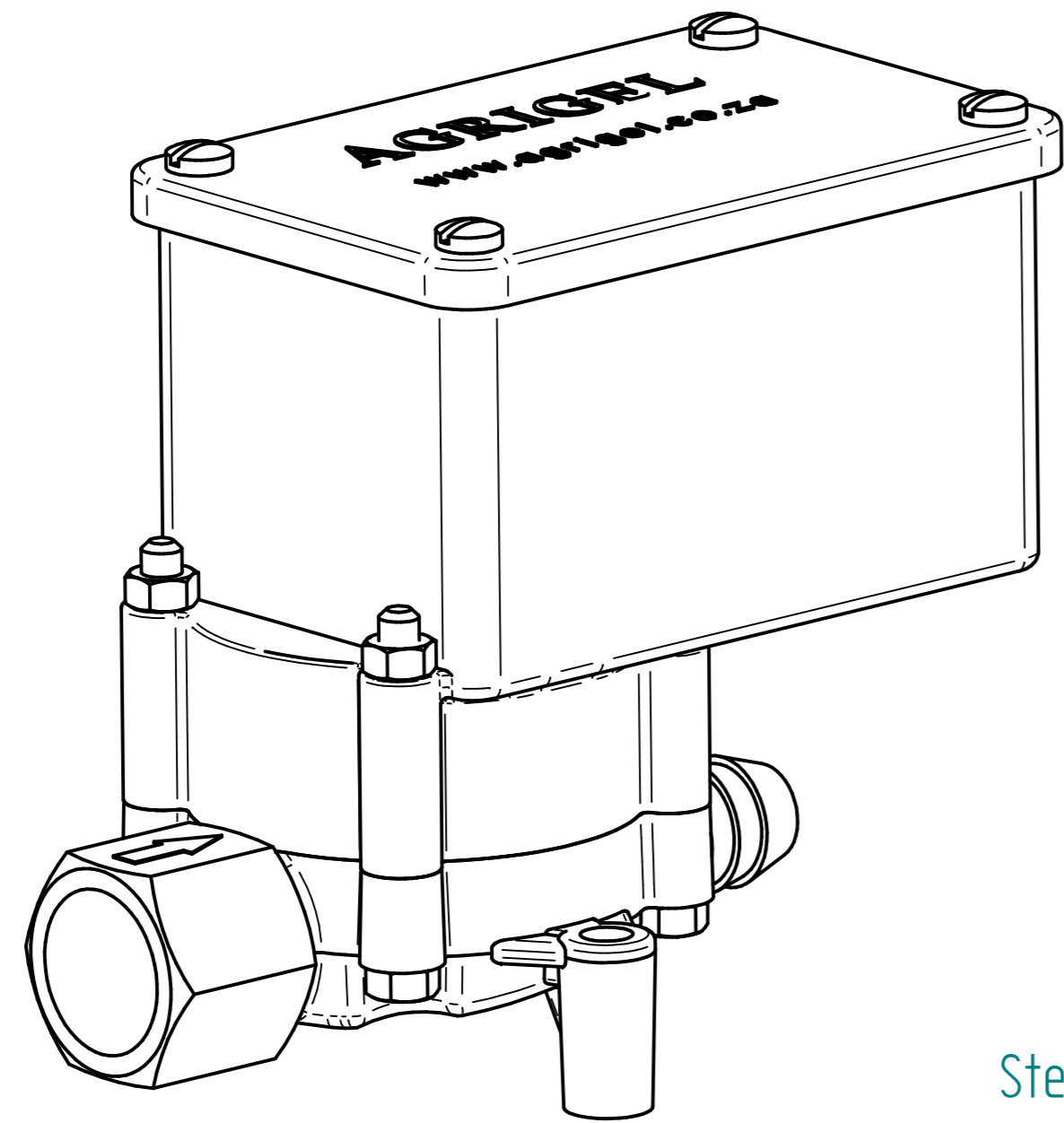
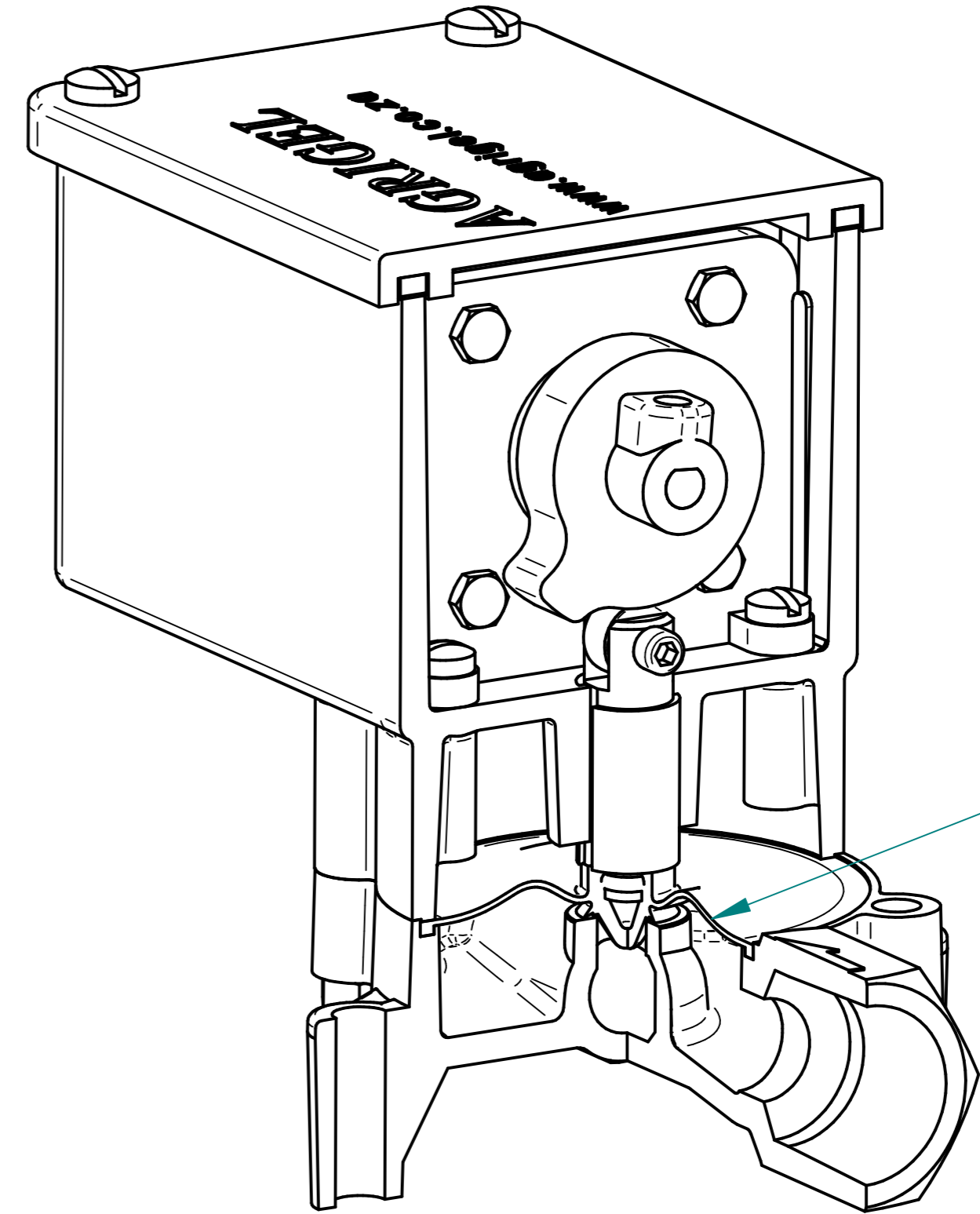


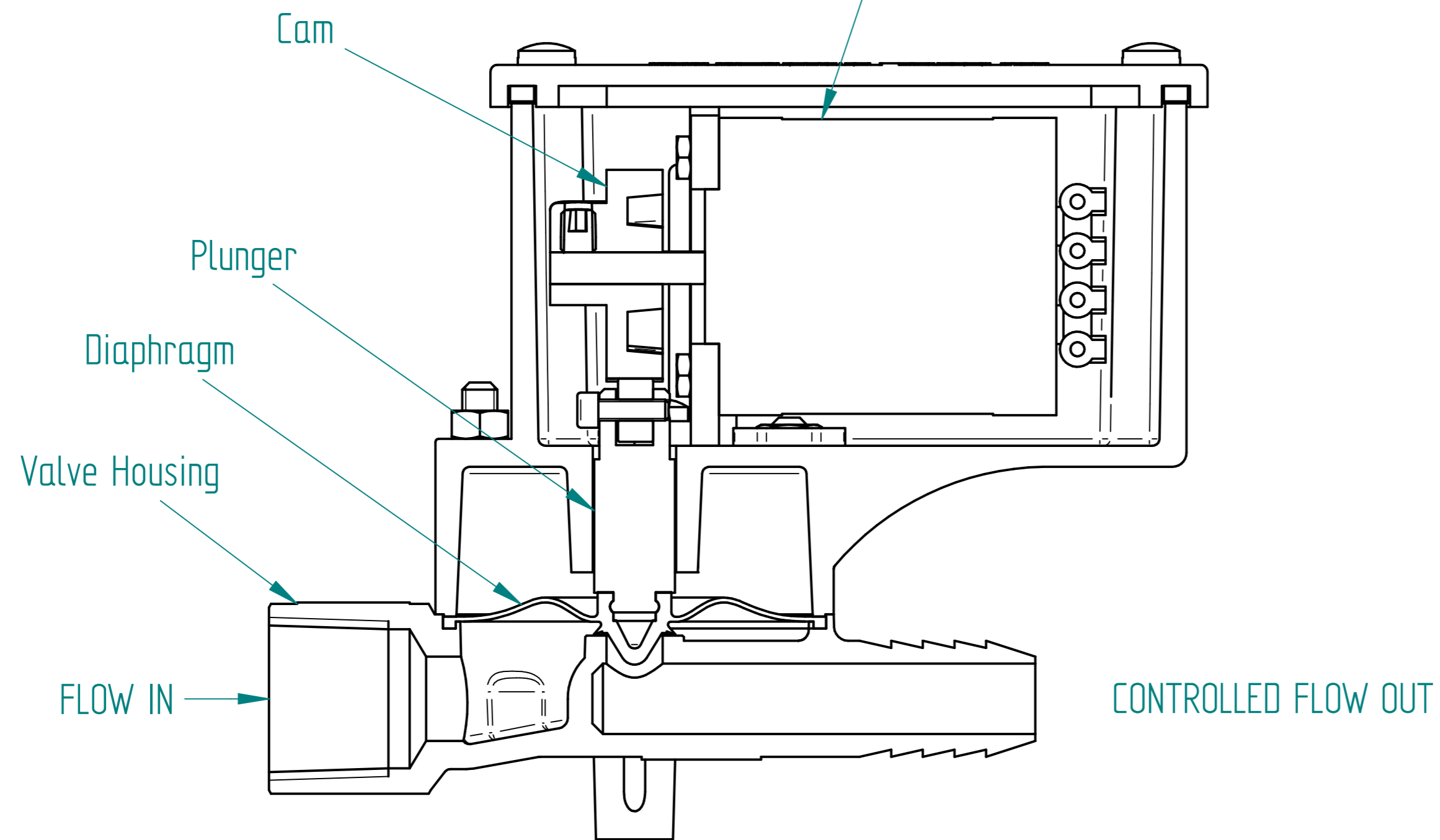
MAIN UNIT



Stepper Motor



Diaphragm



Cam

Plunger

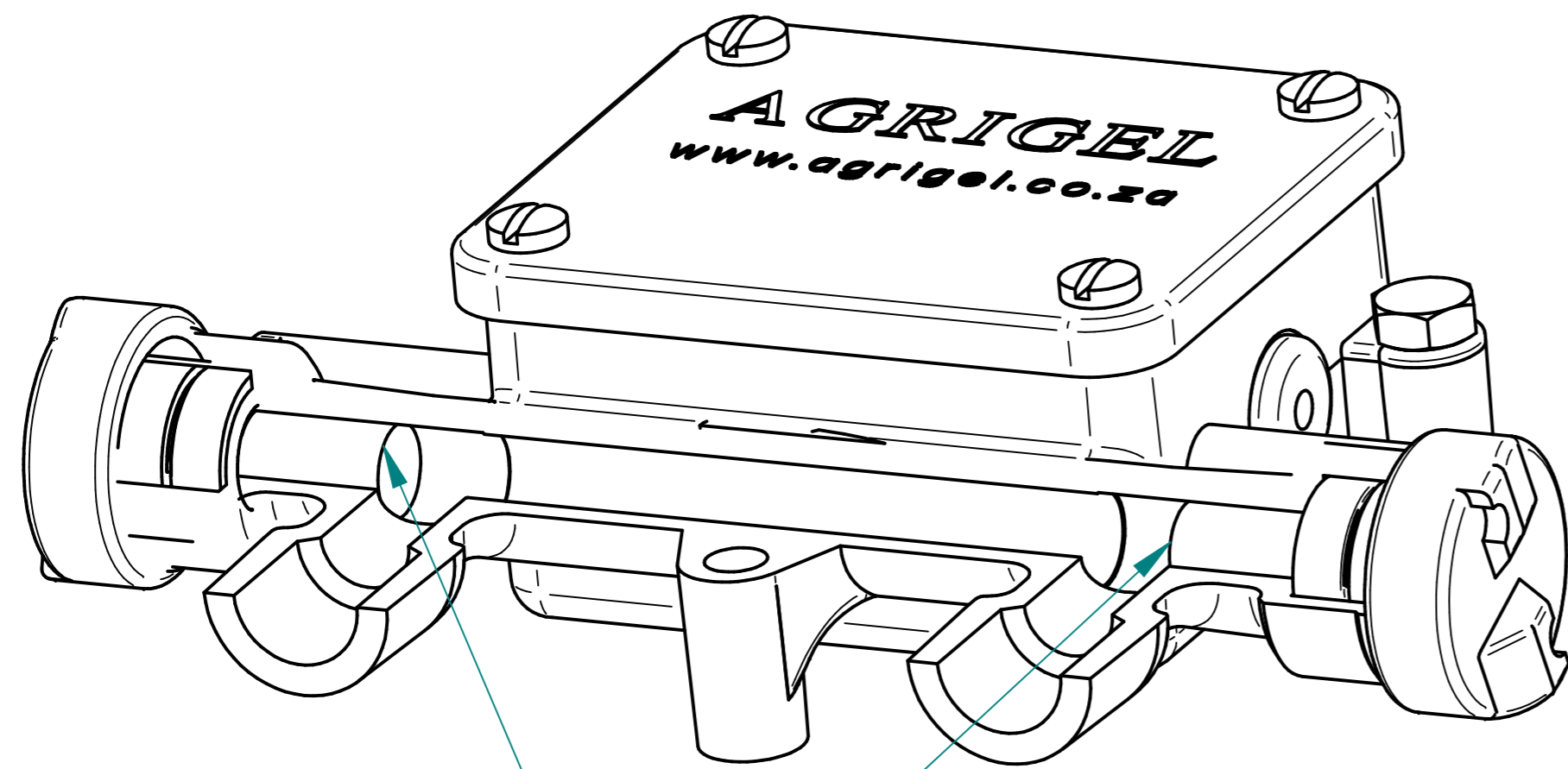
Diaphragm

Valve Housing

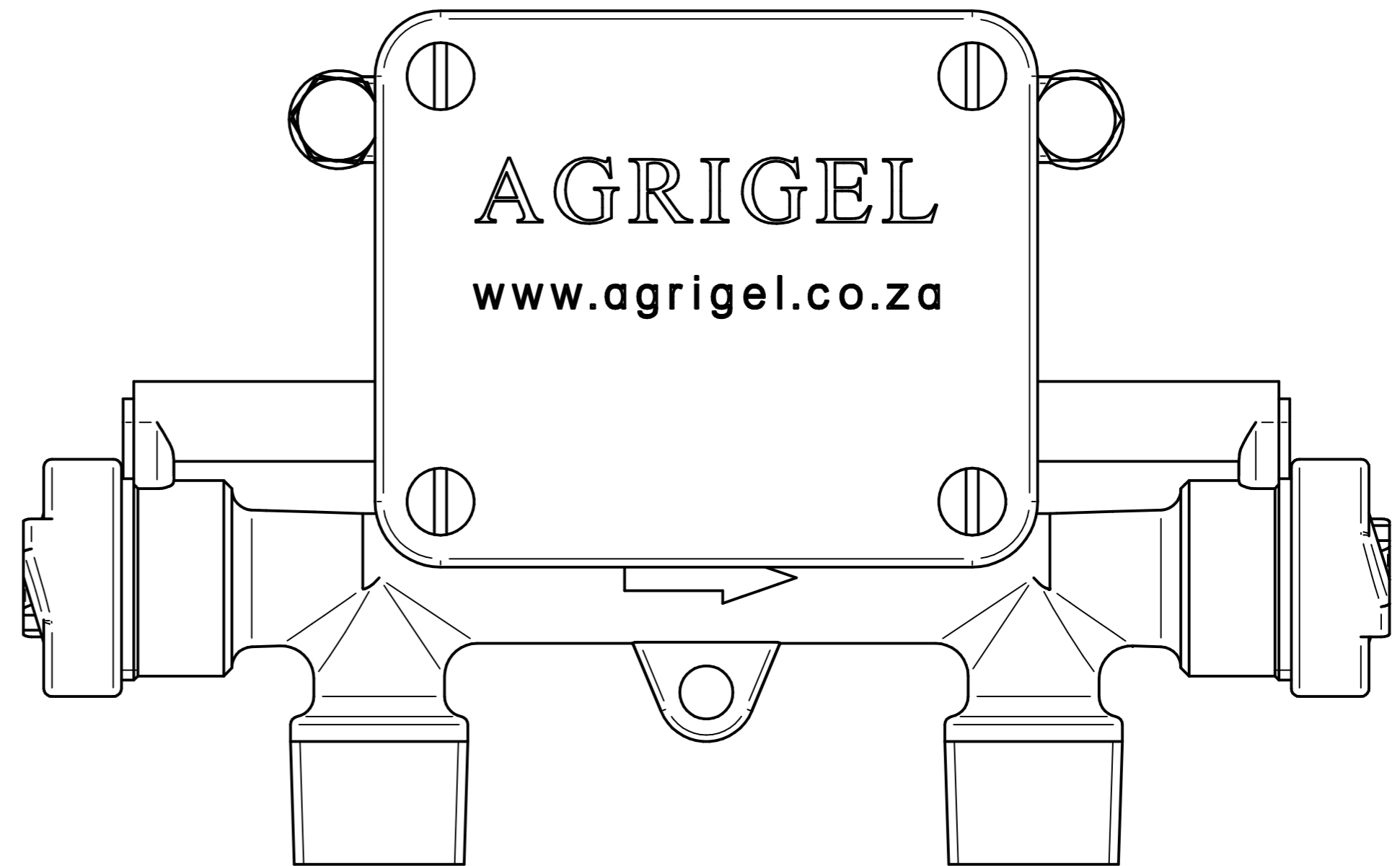
FLOW IN

CONTROLLED FLOW OUT

# FLOW CONTROL VALVE



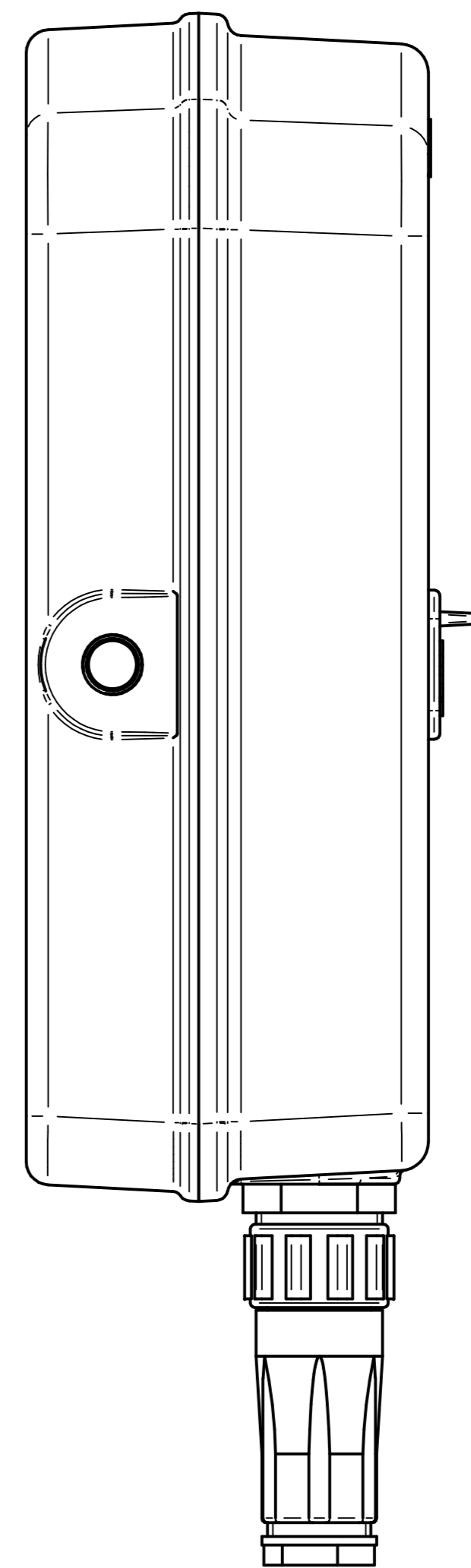
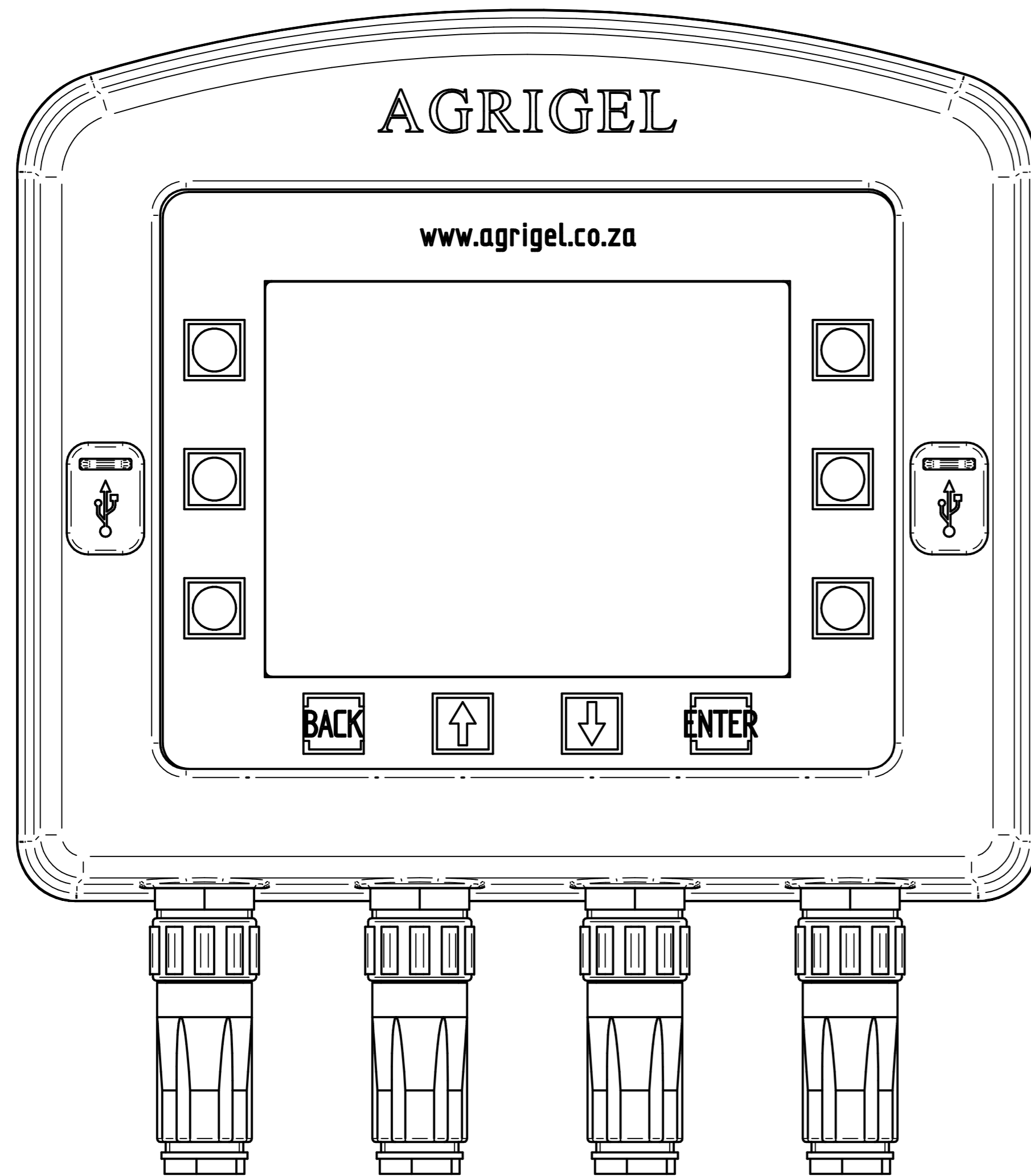
ULTRASONIC TRANSDUCERS



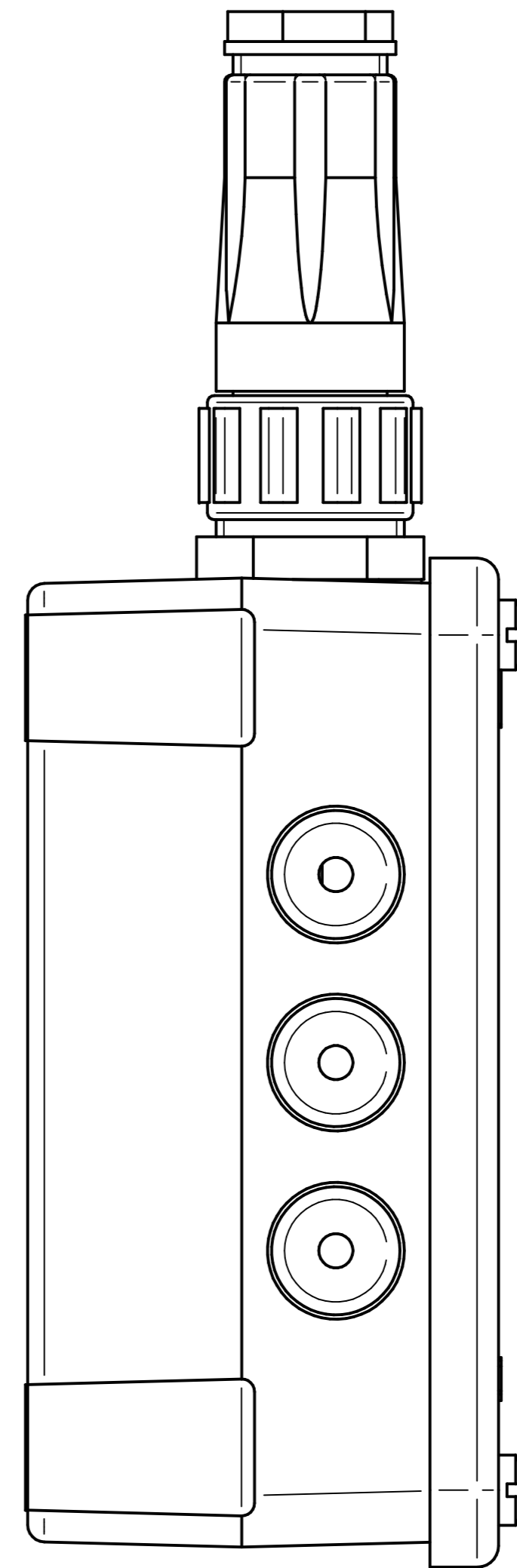
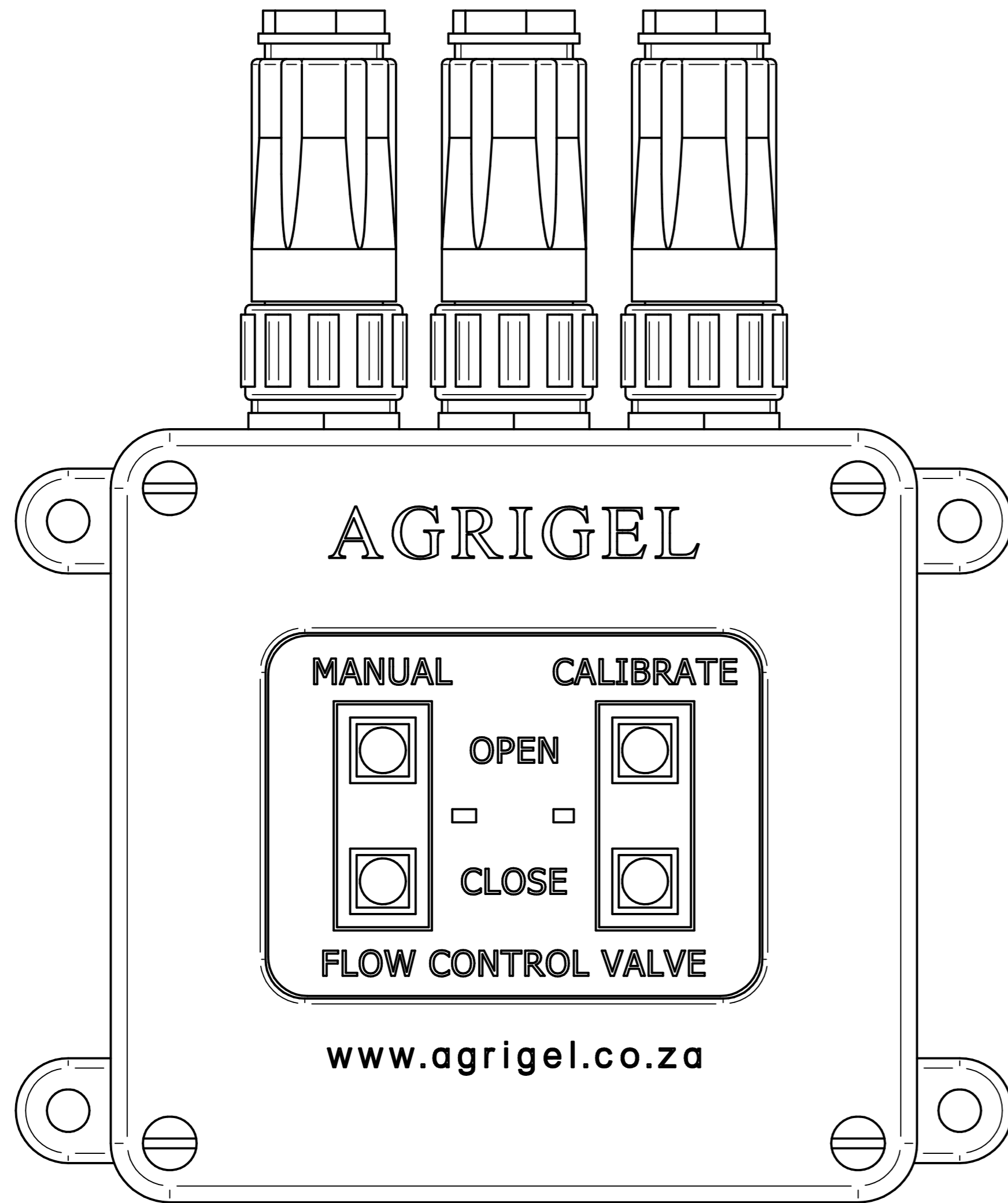
FLOW IN

MEASURED FLOW OUT

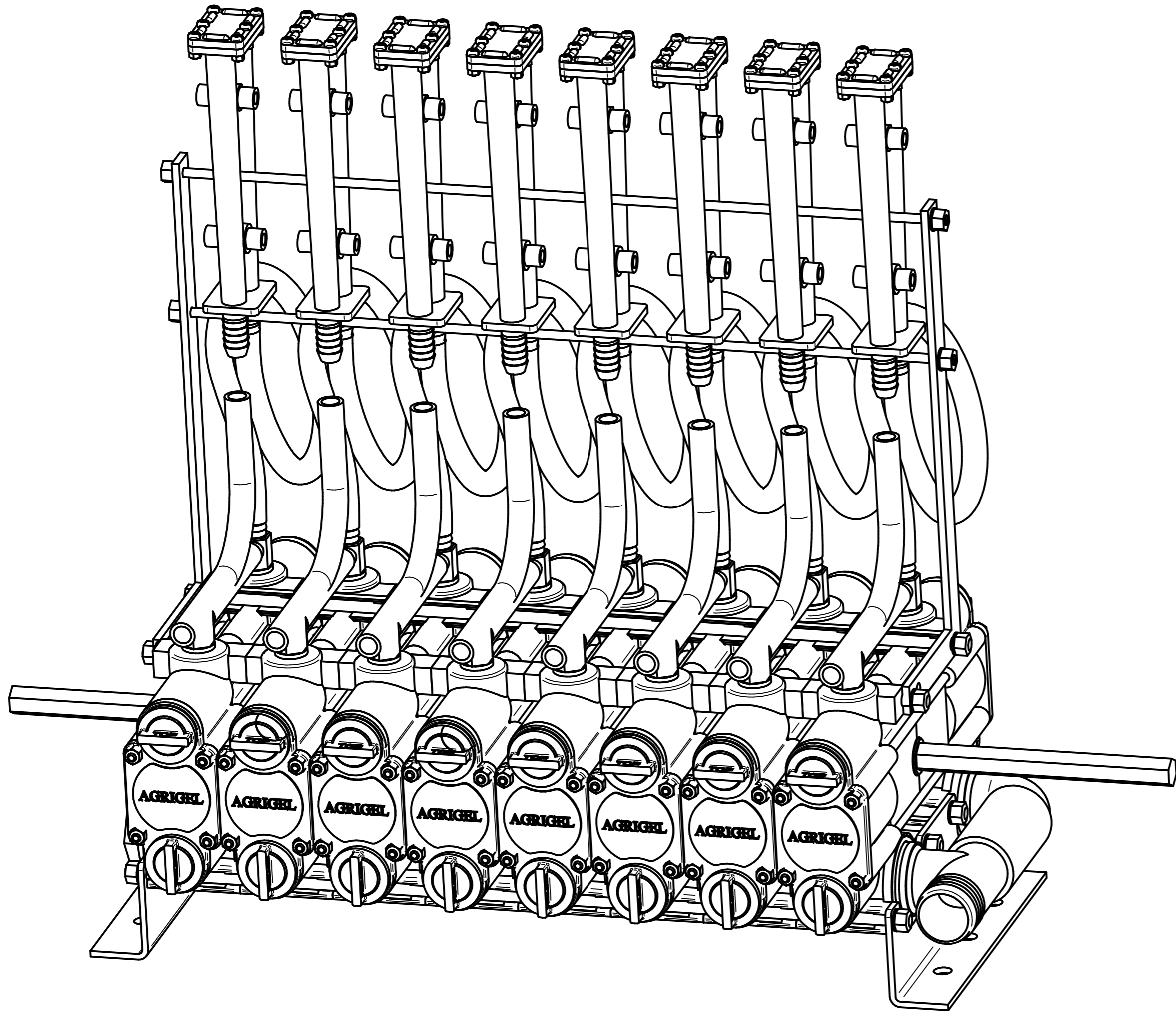
## ULTRASONIC FLOW METER



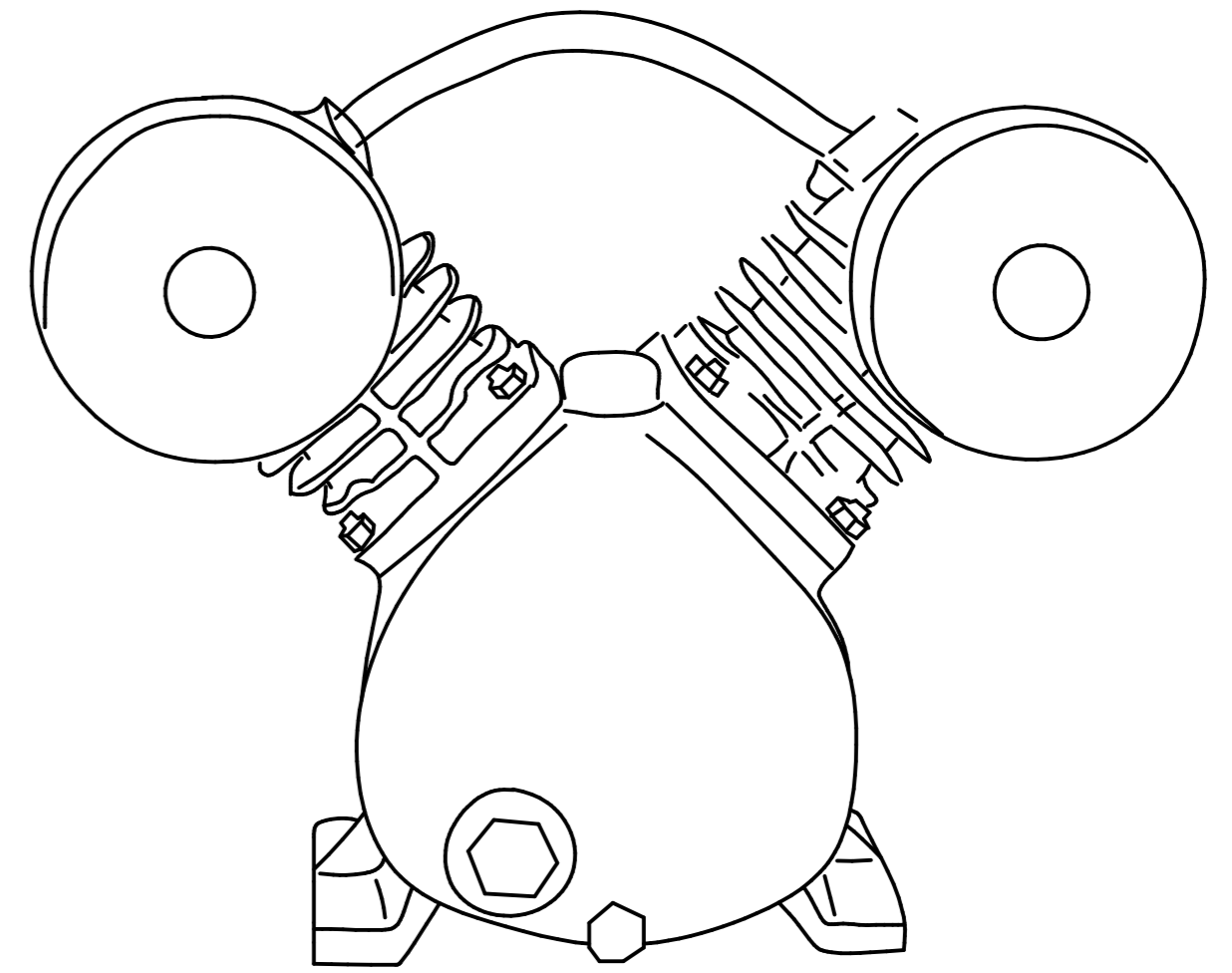
MONITOR MAIN DISPLAY UNIT



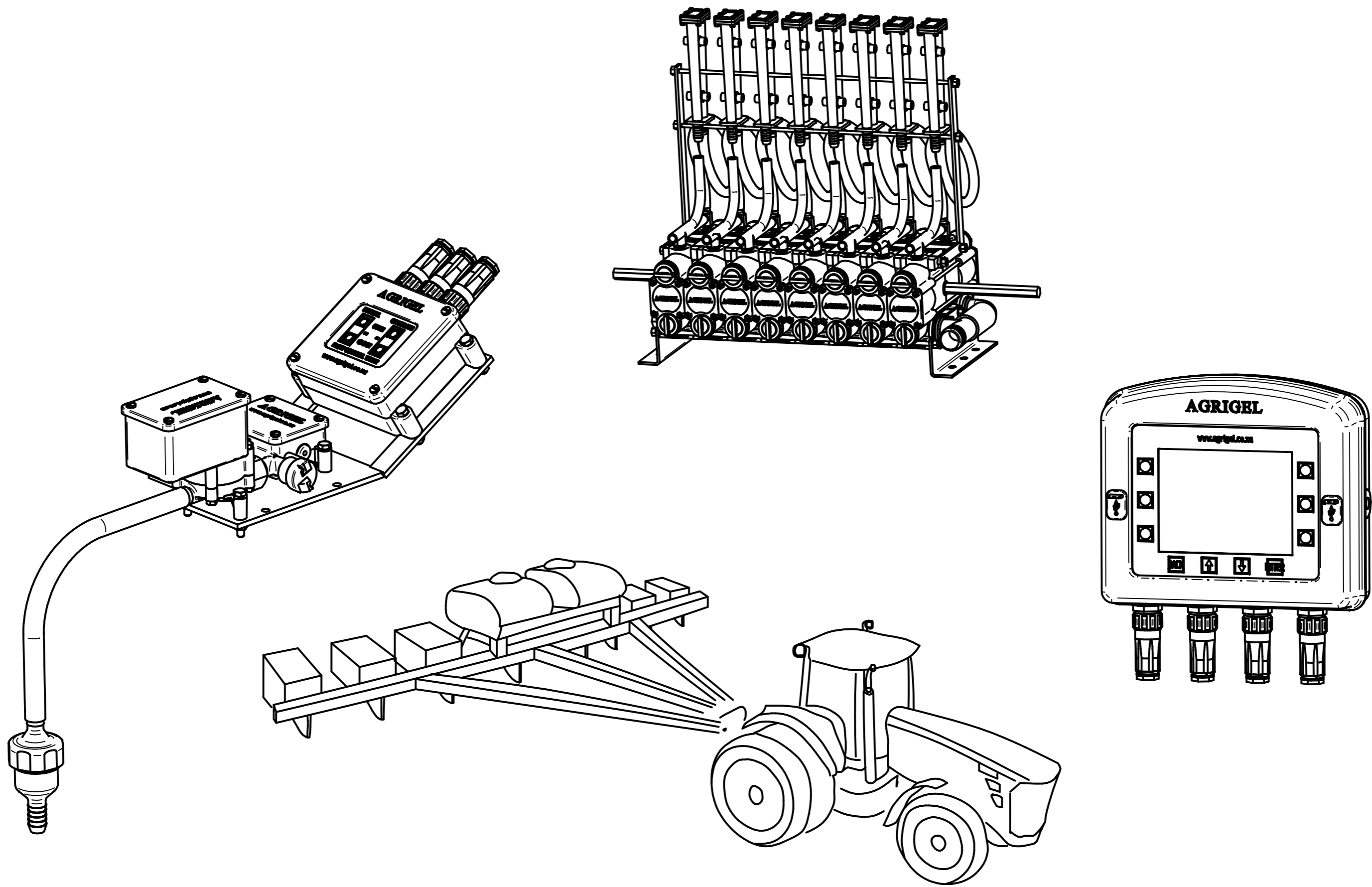
FLOW CONTROL VALVE BOARD HOUSING



PUMP



COMPRESSOR



TRACTOR AND PLANTER

