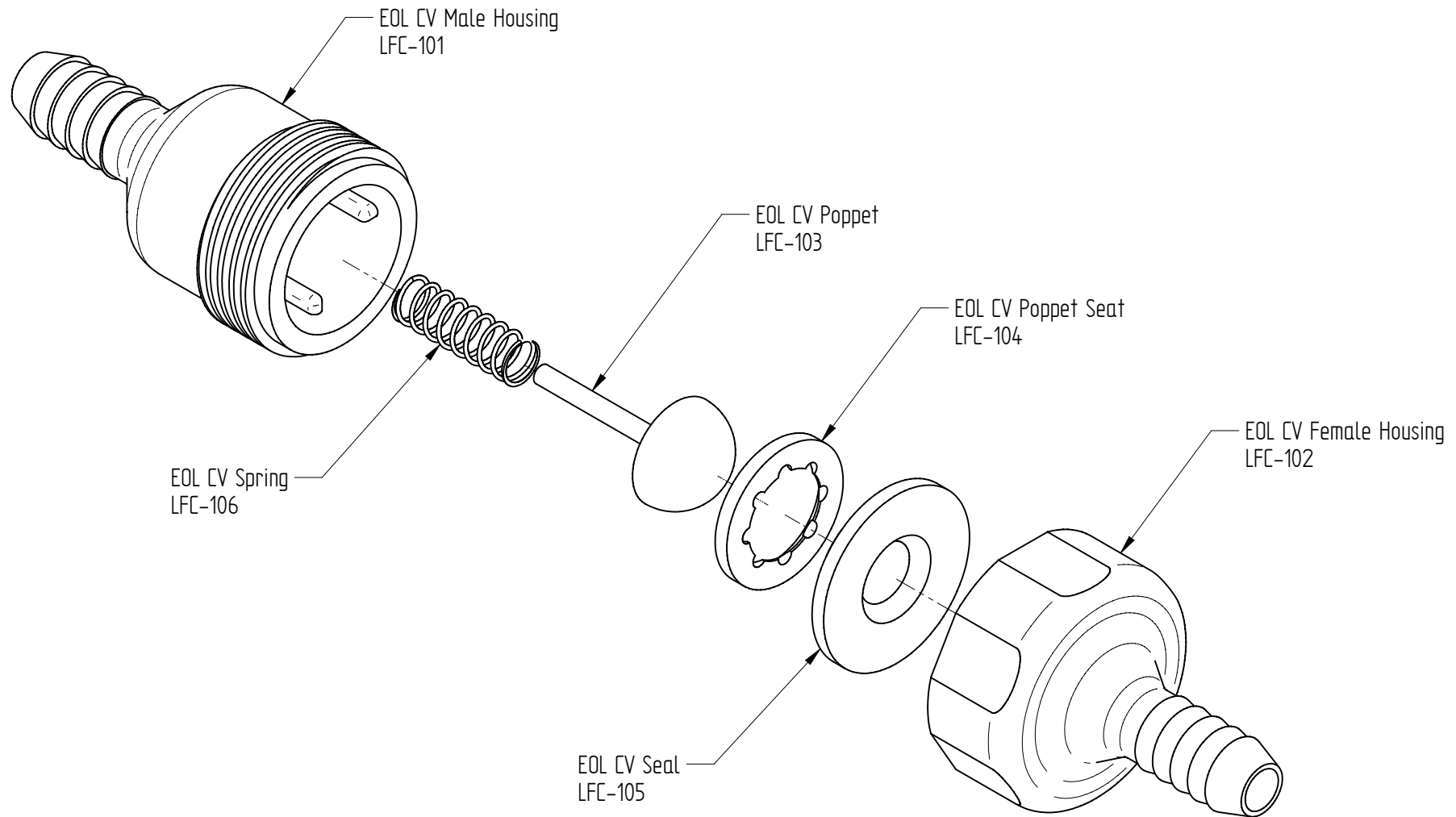


REVISION HISTORY			
REV	DESCRIPTION	DATE	APPROVED



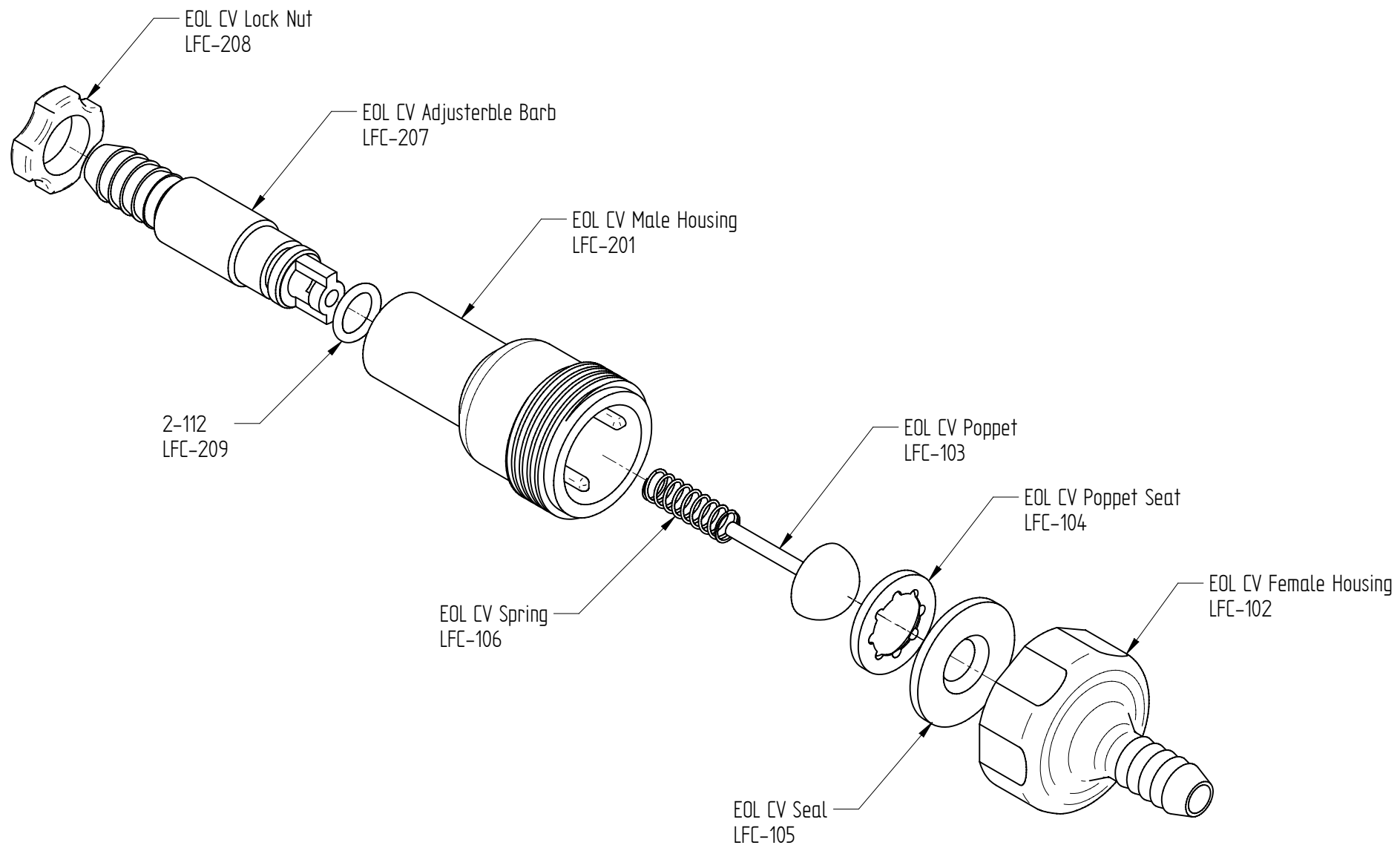
END OF LINE CHECK VALVE LFC-100

	NAME	DATE		
DRAWN	Dan	11/13/06		
APPROVED				
MATERIAL				
TREATMENT				
UNLESS OTHERWISE SPECIFIED DIMENSIONS ARE IN MILLIMETERS ANGLES ±0.1°			SIZE A2	DWG NO LFC-100
2 PL ±0.02 3 PL ±0.005			FILE NAME: End of Line Check Valve.dft	REV
			SCALE:	WEIGHT:
			SHEET 1 OF 1	

AGRIGEL (PTY) LTD.

End of Line Check Valve

REVISION HISTORY			
REV	DESCRIPTION	DATE	APPROVED



ADJUSTERBLE END OF LINE CHECK VALVE LFC-200

	NAME	DATE	AGRIGEL(P)TYLTD.	
DRAWN	Dan	11/10/06		
APPROVED			TITLE	
MATERIAL			Adjusterble End of Line Check Valve	
TREATMENT				
UNLESS OTHERWISE SPECIFIED DIMENSIONS ARE IN MILLIMETERS ANGLES ±0.1°			SIZE A2	DWG NO LFC-200
2 PL ±0.02 3 PL ±0.005			FILE NAME: Adj End of Line Check Valve.dft	REV
SCALE:		WEIGHT:	SHEET 1 OF 1	