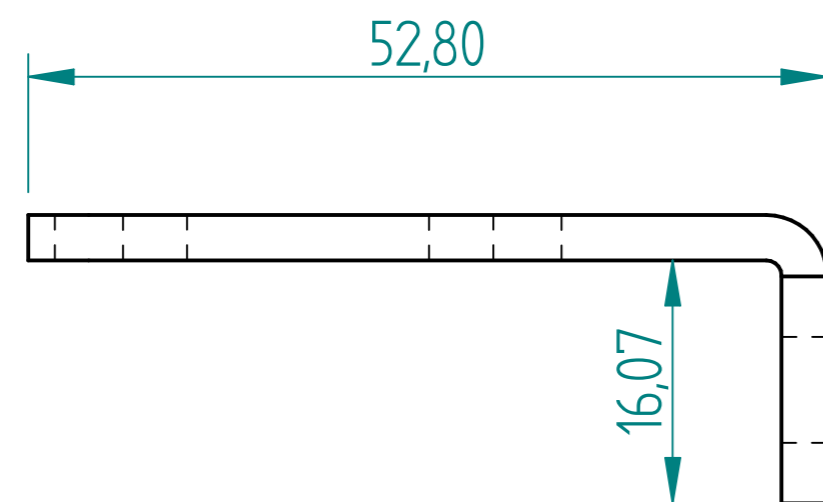
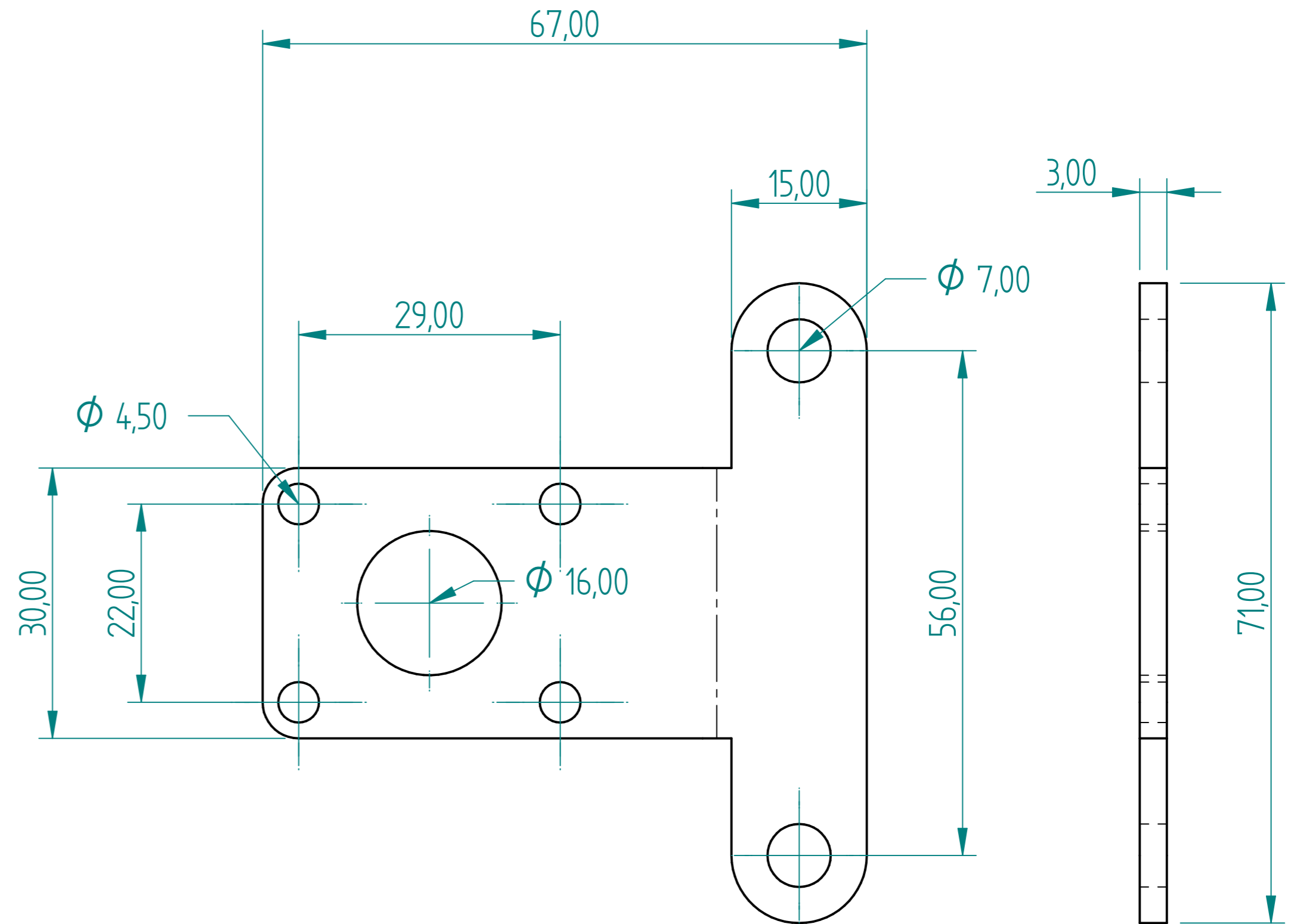
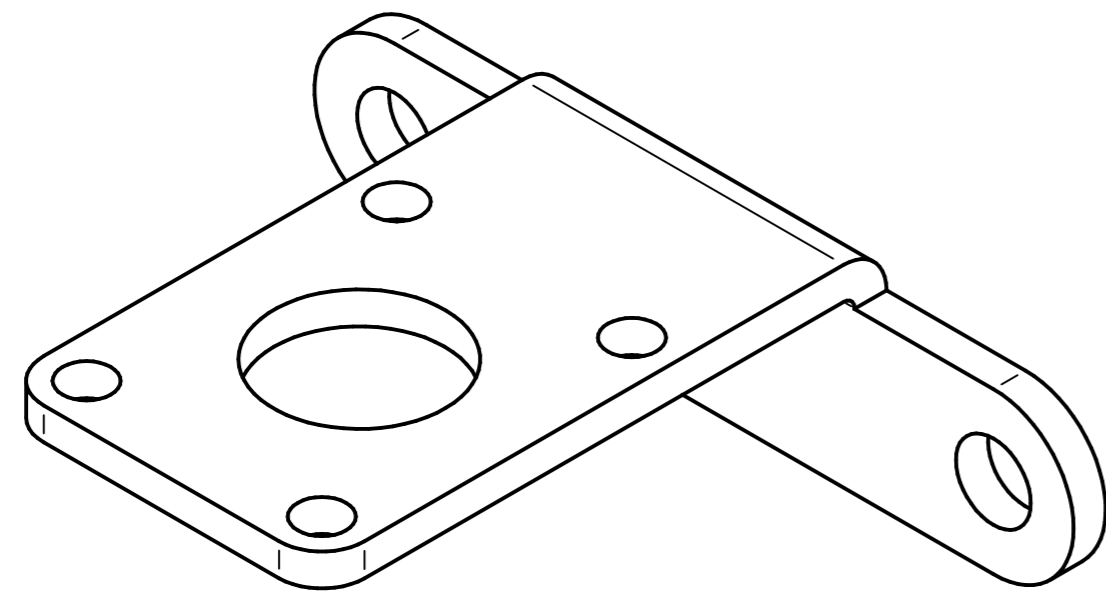


REVISION HISTORY			
REV	DESCRIPTION	DATE	APPROVED



FLOW CONTROL VALVE MOUNTING BRACKET PLATE

	NAME	DATE	AGRIGEL	
DRAWN	Dan	10/11/24		
APPROVED				
MATERIAL				
TREATMENT			TITLE	
UNLESS OTHERWISE SPECIFIED DIMENSIONS ARE IN MILLIMETERS			SIZE A4	DWG NO
1 st ANGLE ANGLES $\pm 0,1^\circ$			FILE NAME: Flow Control Valve Mounting Bracket Plate.dwg	REV
2 PL $\pm 0,02$ 3 PL $\pm 0,005$			SCALE:	WEIGHT:
			SHEET 1 OF 2	

