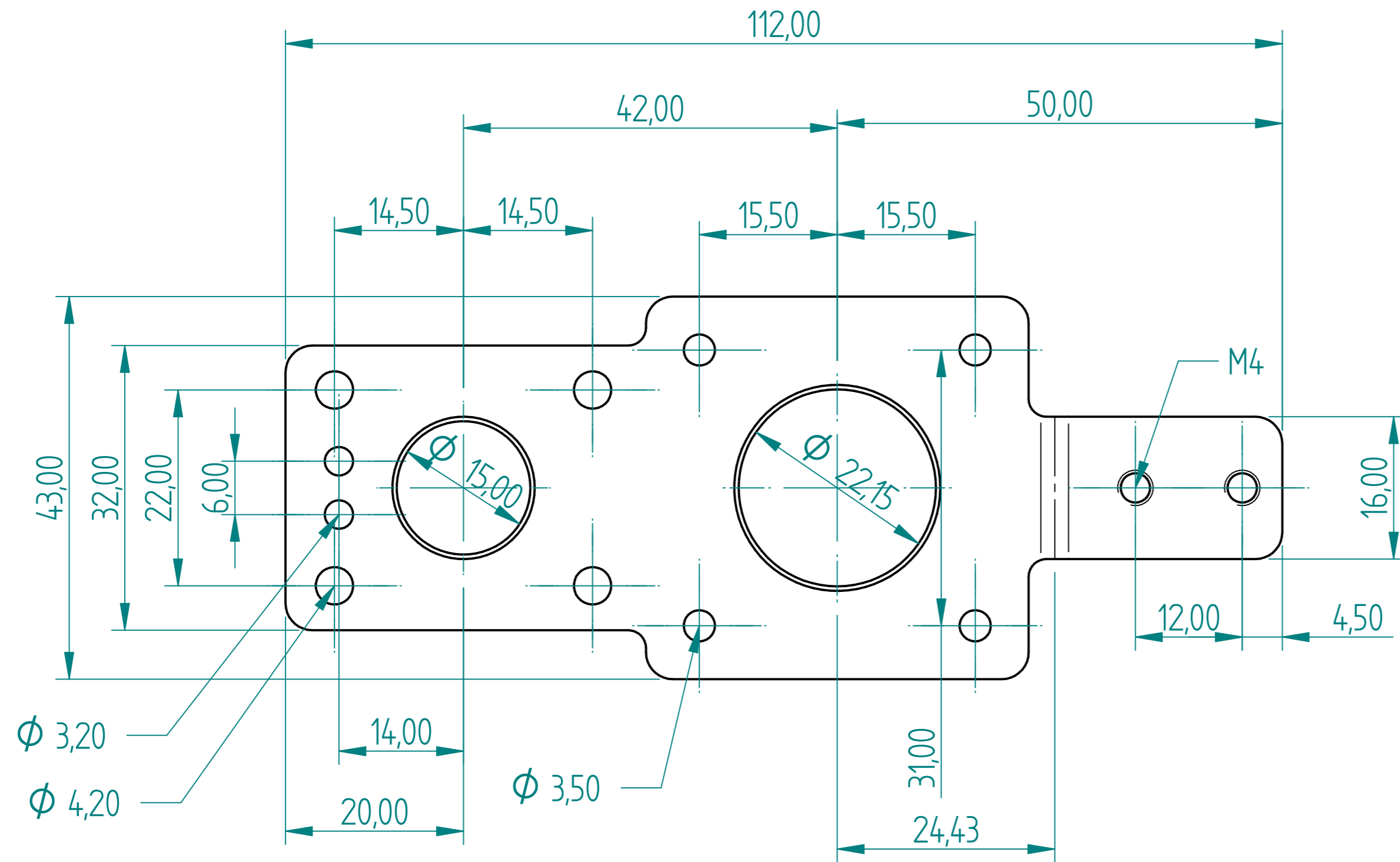
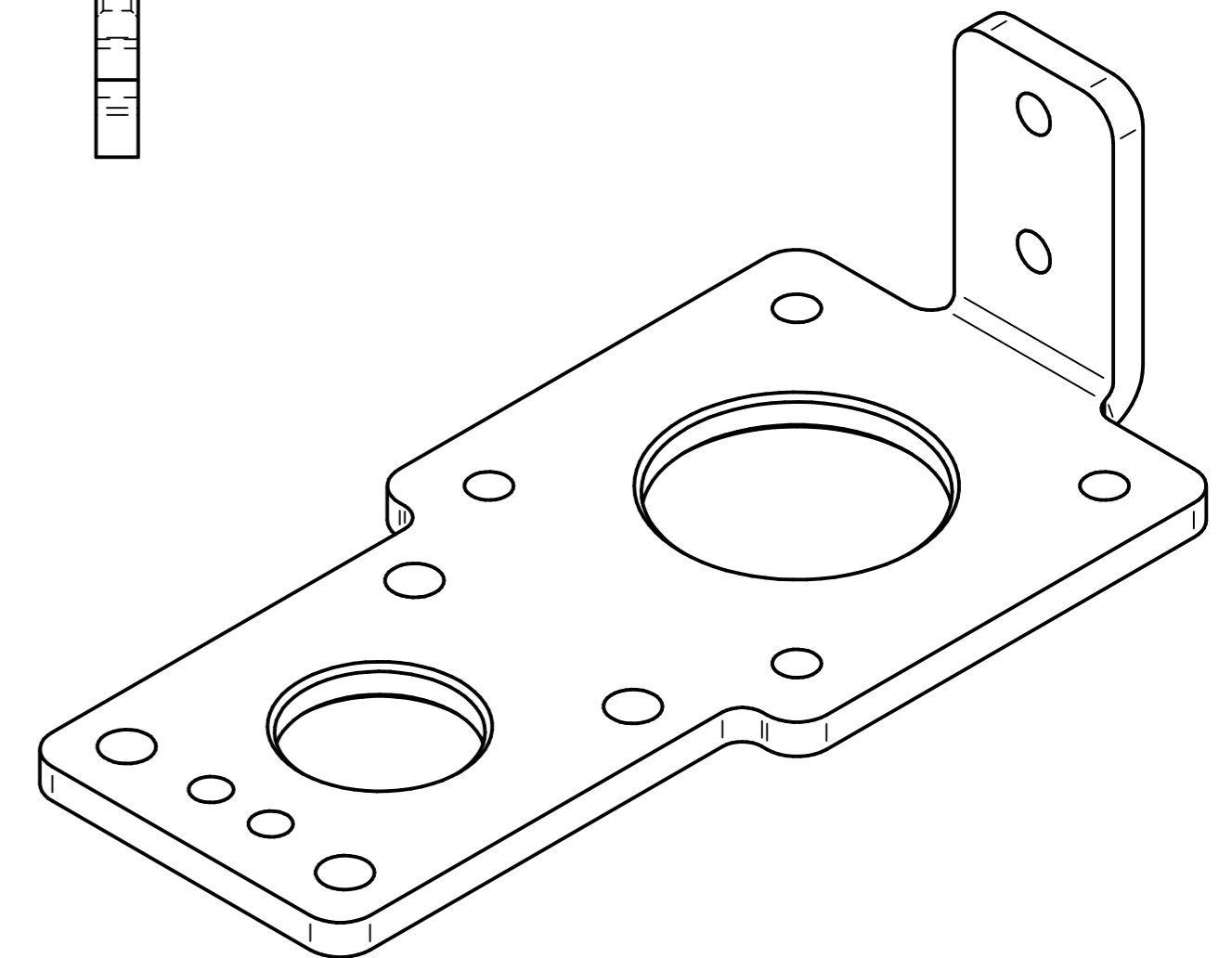
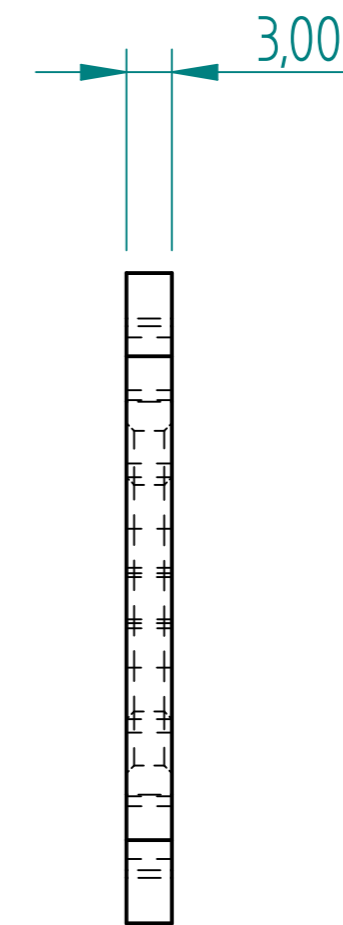


REVISION HISTORY			
REV	DESCRIPTION	DATE	APPROVED



FLOW CONTROL VALVE BASE PLATE



DRAWN	NAME	DATE	AGRIGEL	
APPROVED	Dan	07/30/25		
MATERIAL				
TREATMENT				
UNLESS OTHERWISE SPECIFIED DIMENSIONS ARE IN MILLIMETERS			SIZE A4	DWG NO
1 st ANGLE ANGLES ±0.1°			FILE NAME: Flow Control Base Plate.dft	
2 PL ±0.02 3 PL ±0.005			SCALE:	WEIGHT:
			SHEET 1 OF 2	

