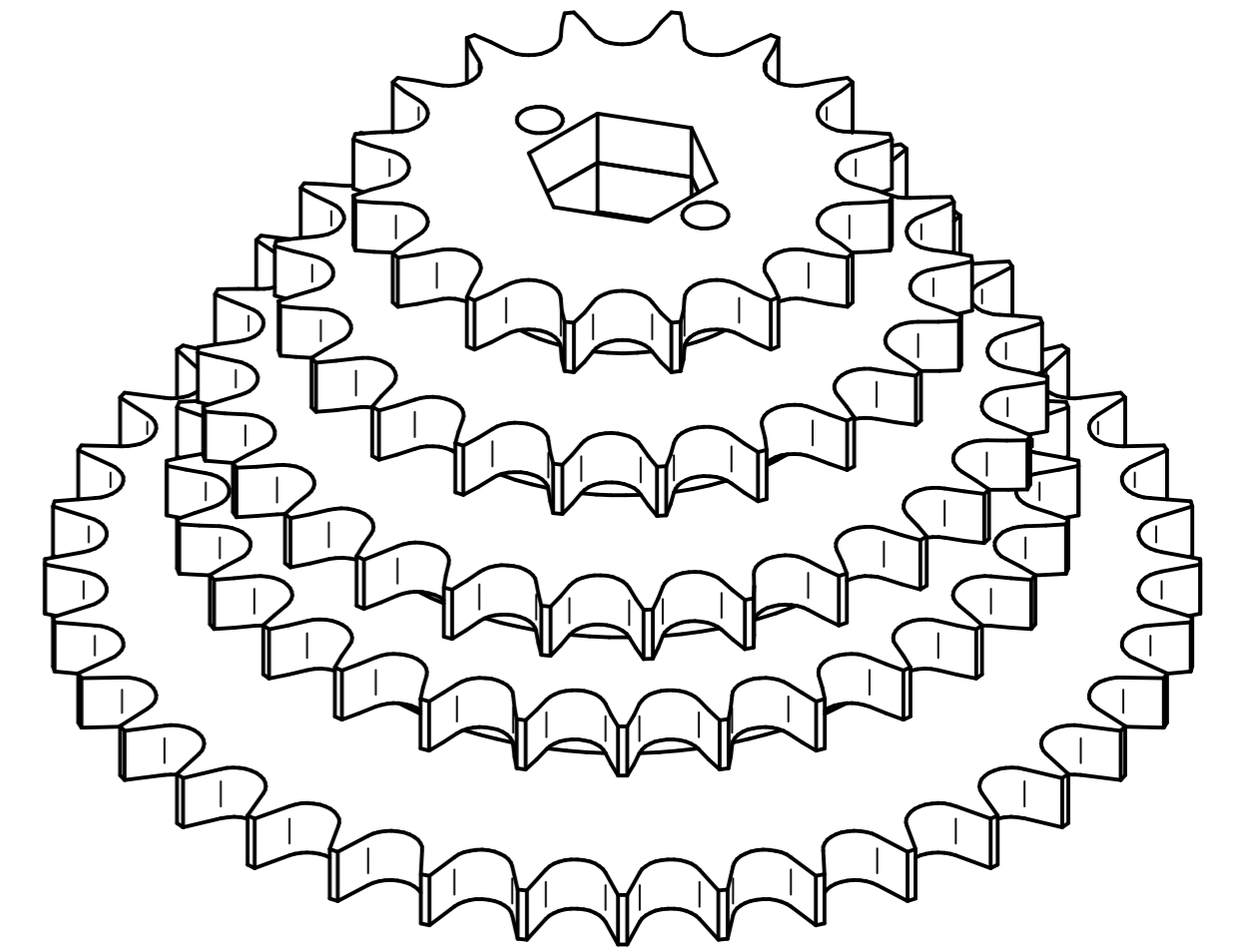
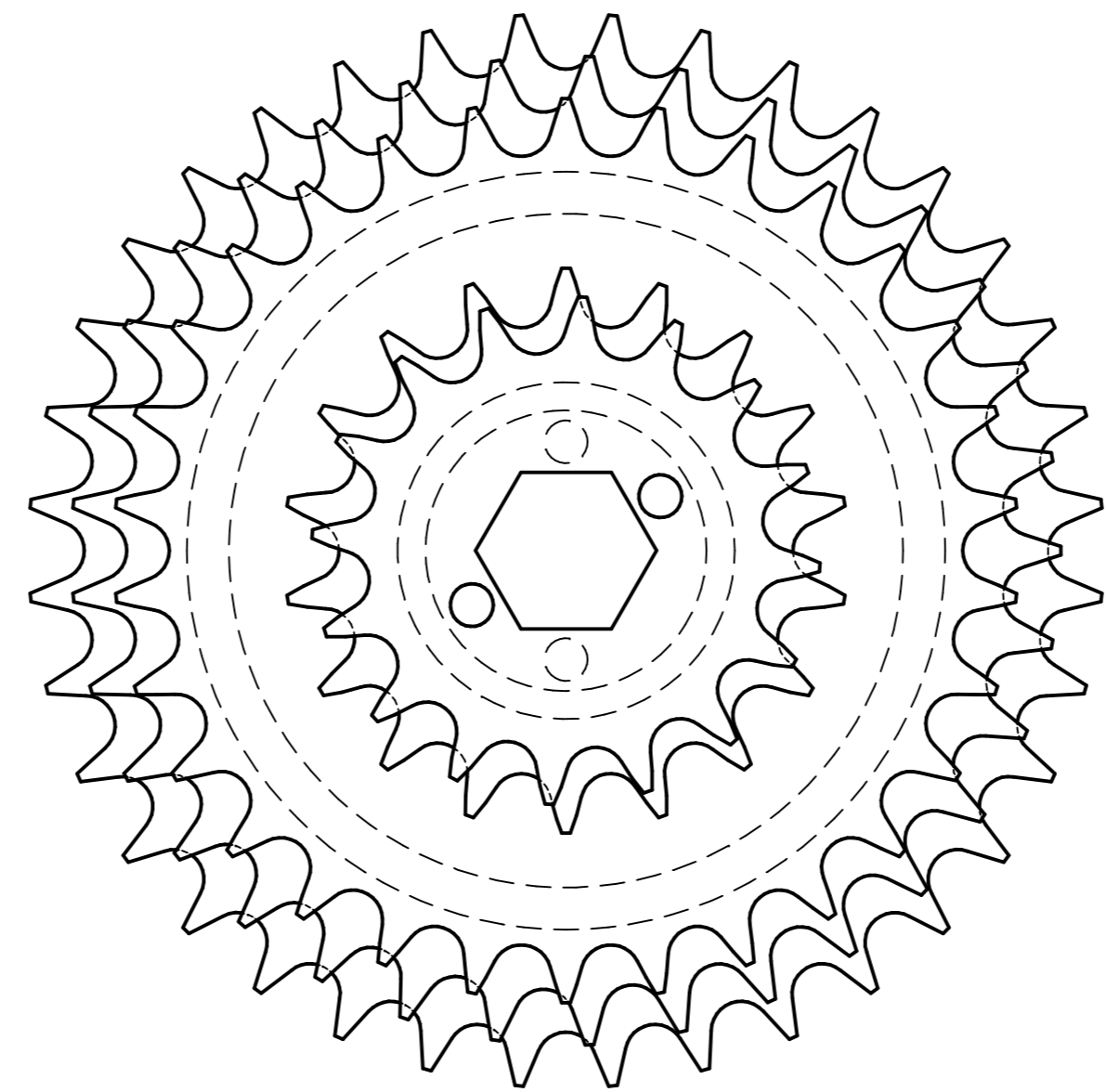
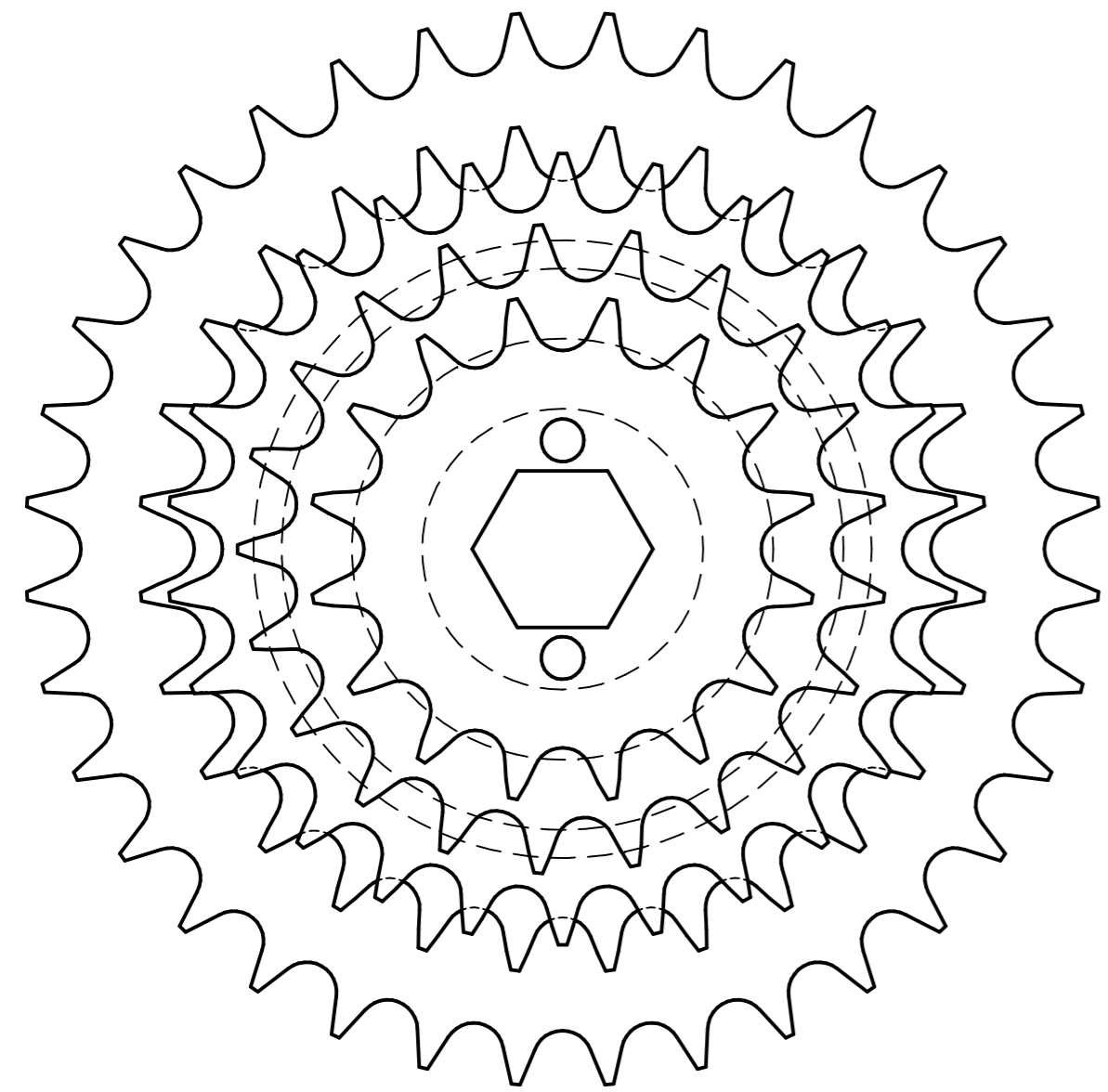
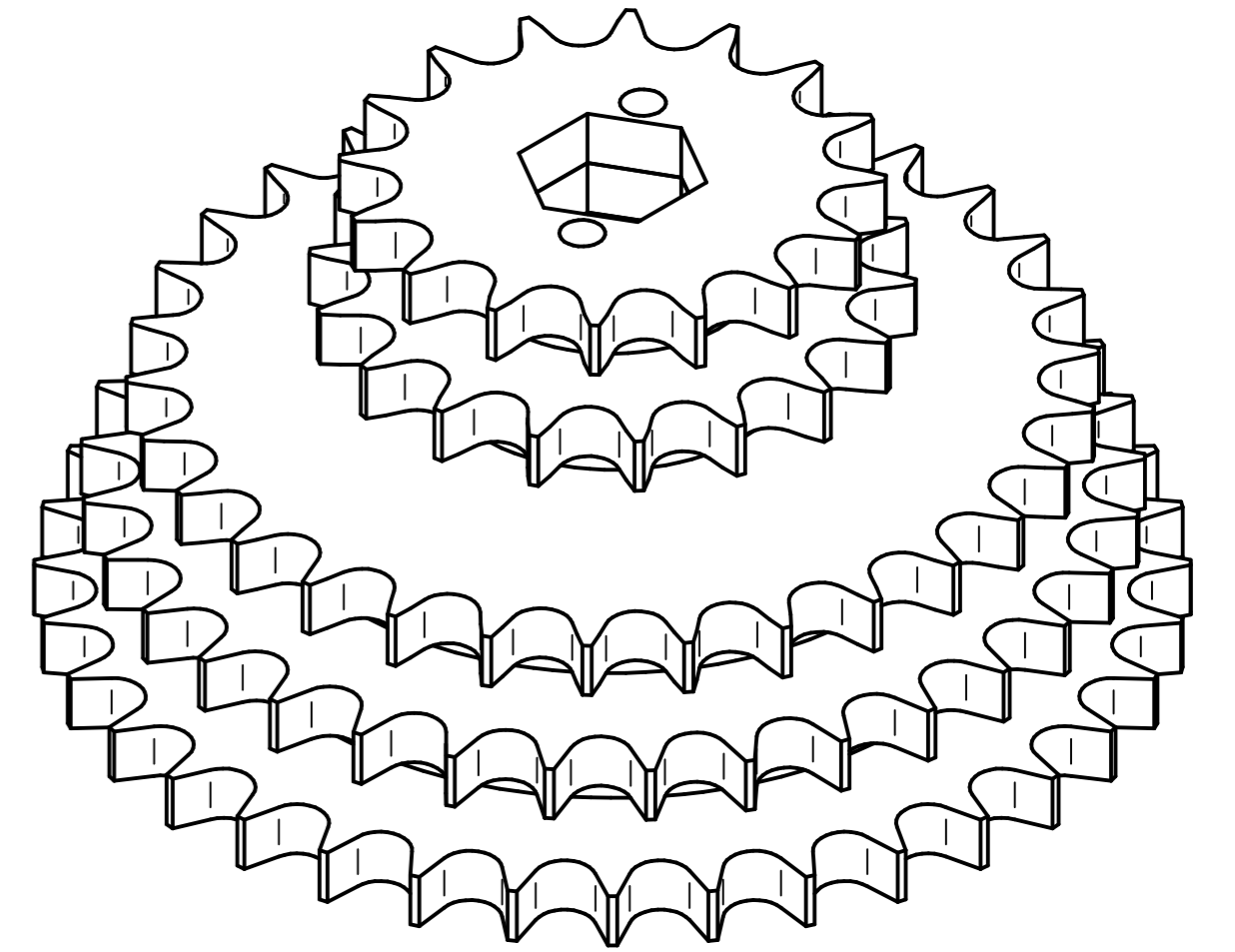
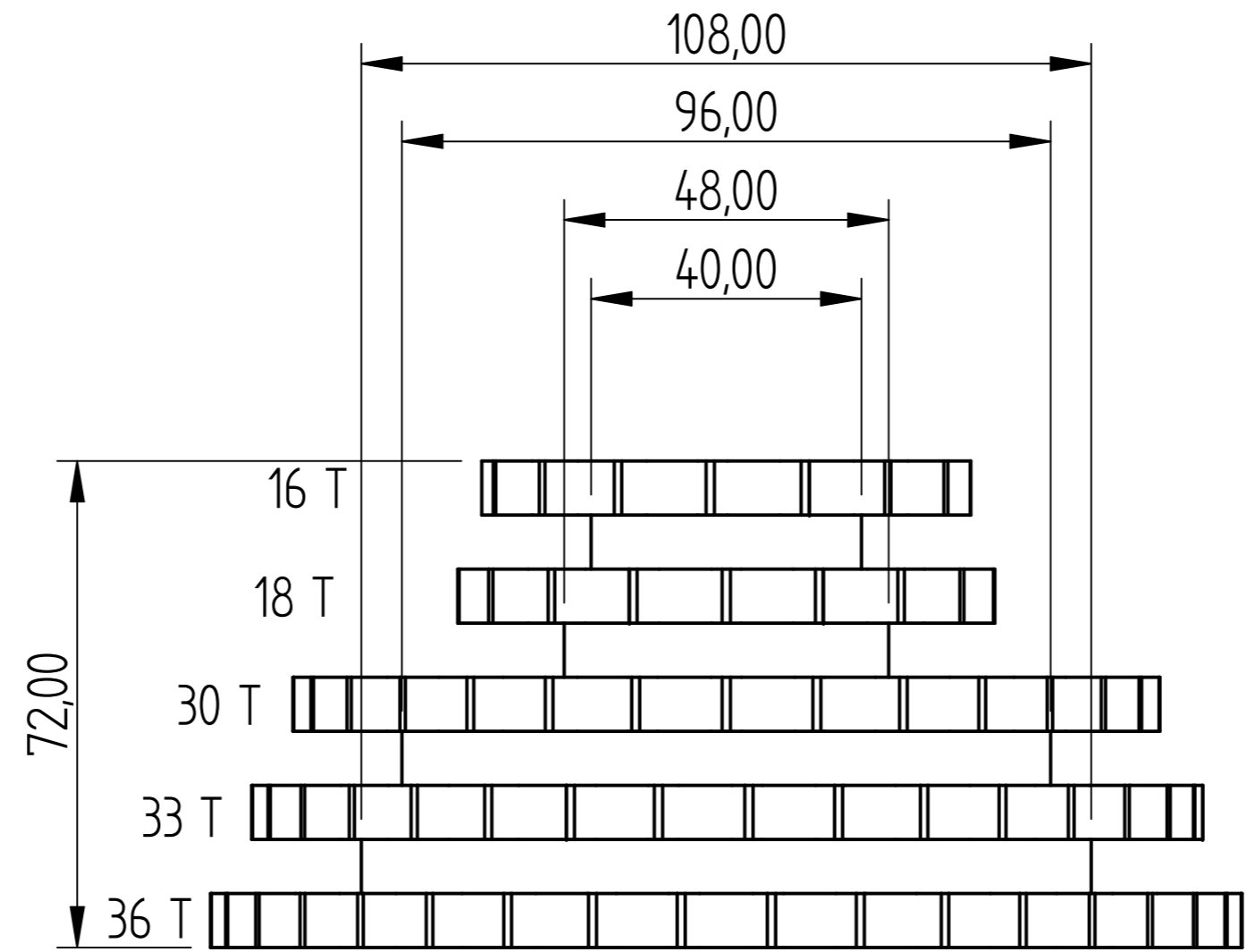
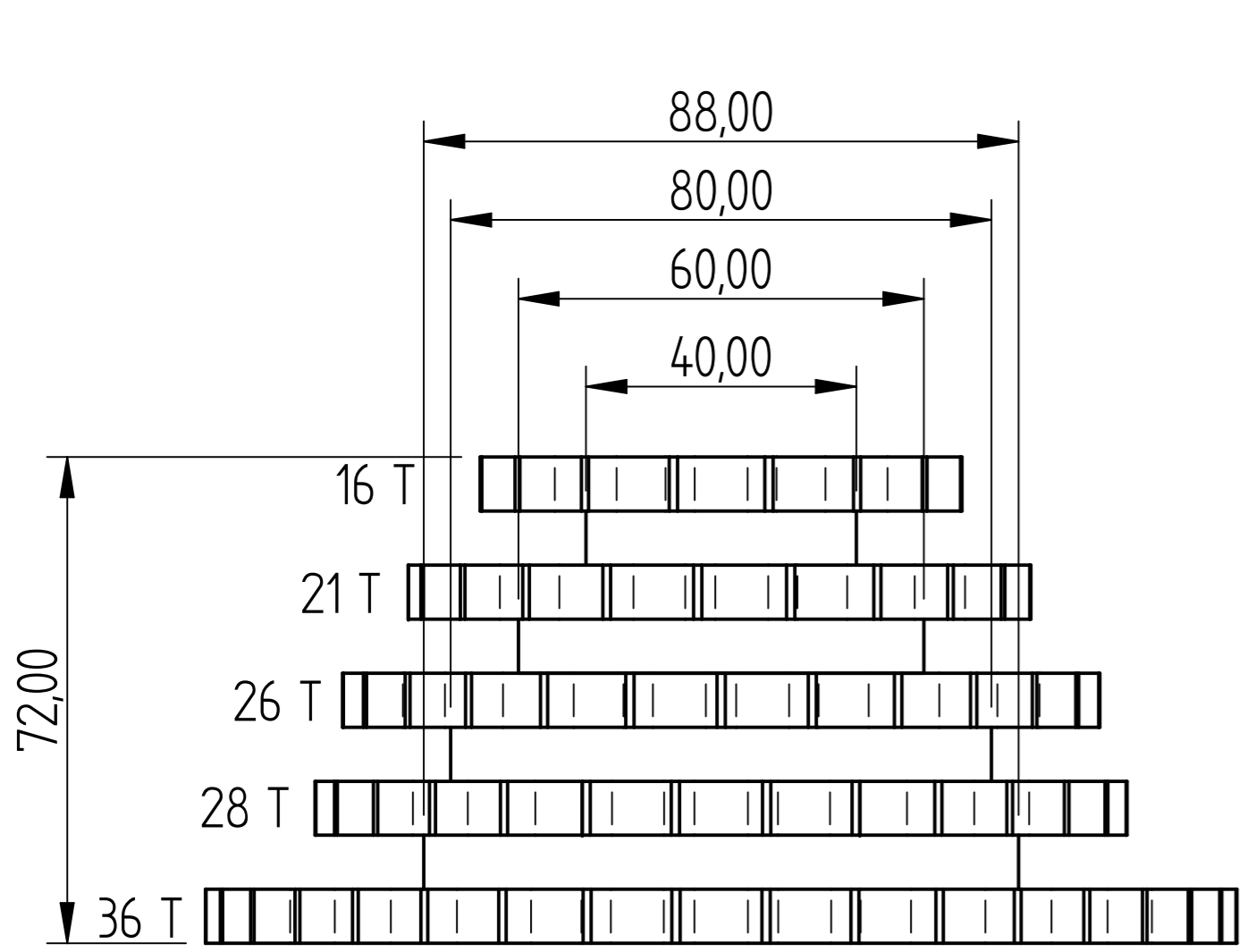
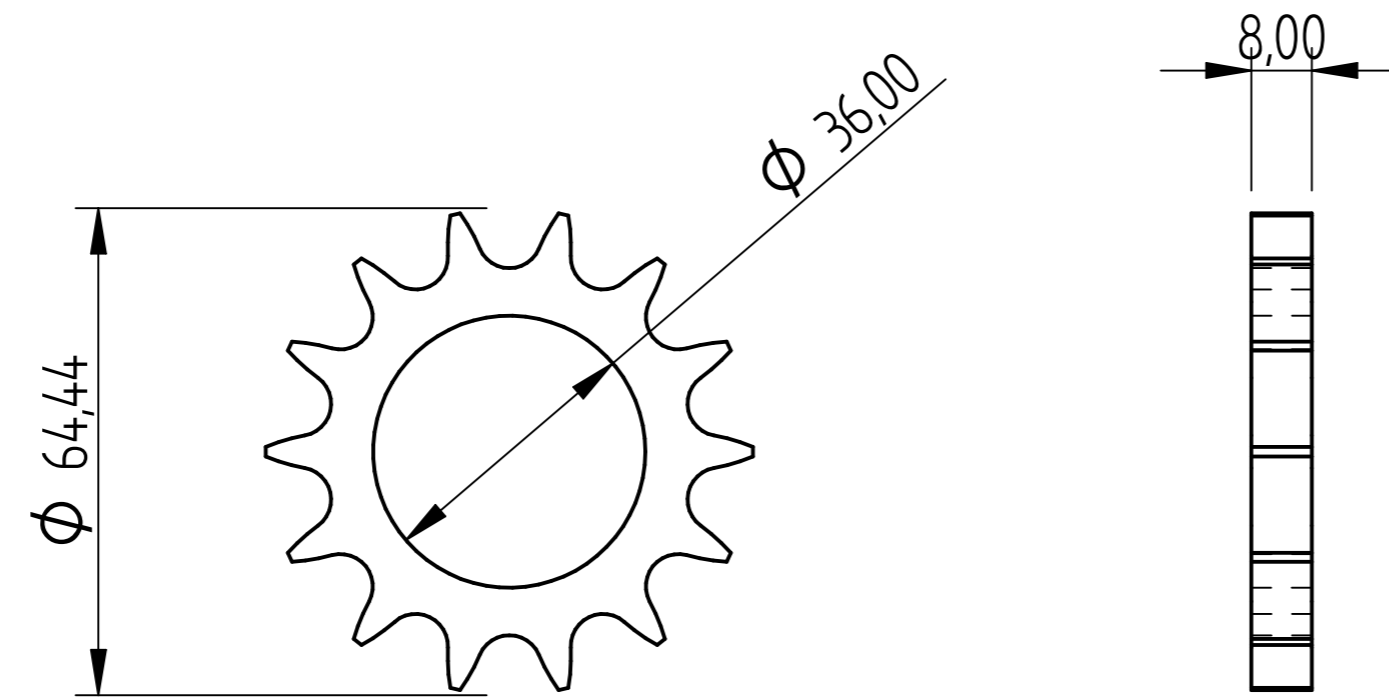


REVISION HISTORY			
REV	DESCRIPTION	DATE	APPROVED

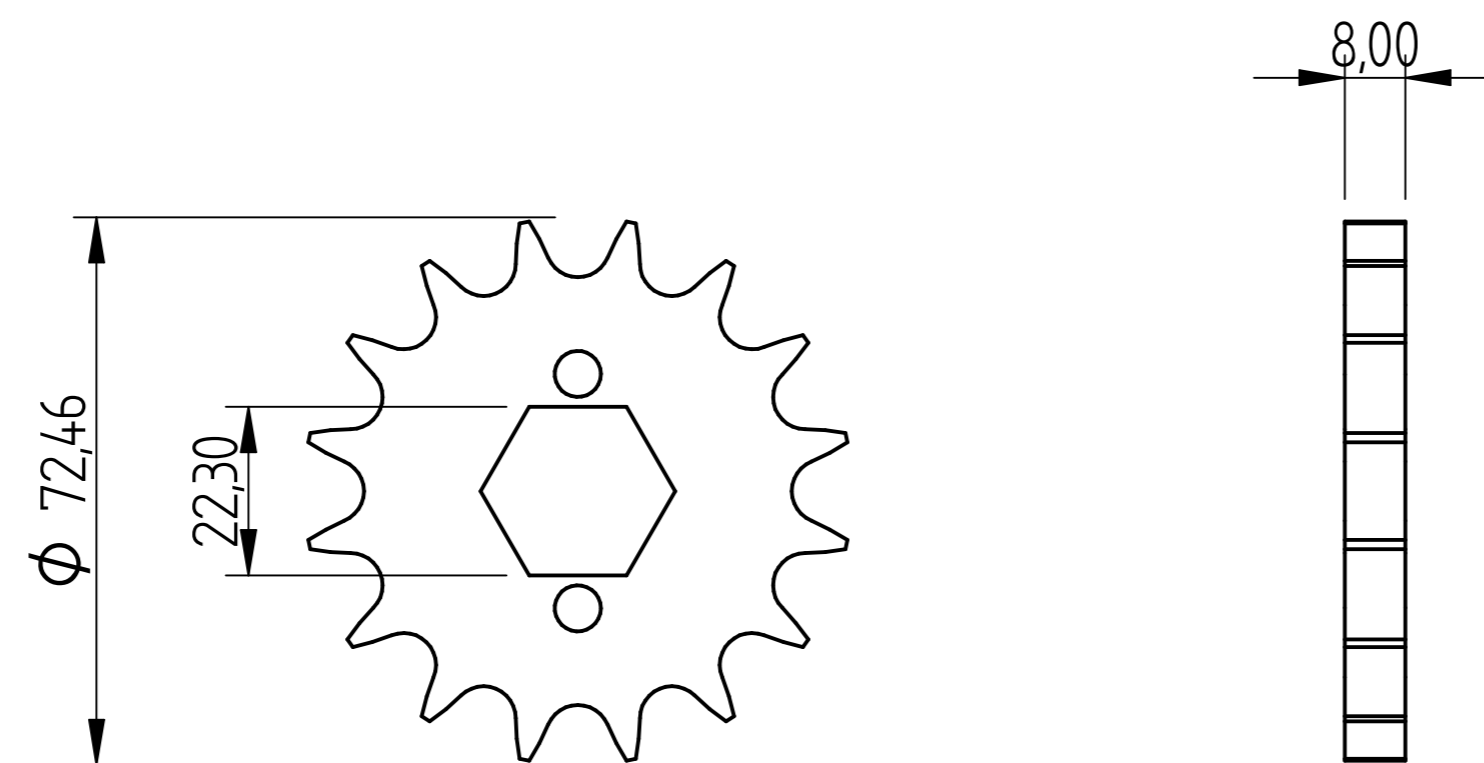


DRAWN	NAME	DATE	AGRIGEL	
APPROVED	DG	07/04/16		
MATERIAL			TITLE	
TREATMENT			TITLE	
UNLESS OTHERWISE SPECIFIED DIMENSIONS ARE IN MILLIMETERS			SIZE A4	DWG NO
1 st ANGLE ANGLES ±0.1°			FILE NAME: Cluster Drive Sprockets.dft	
2 PL ±0.02 3 PL ±0.005			SCALE:	WEIGHT:
			SHEET 1 OF 10	

REVISION HISTORY			
REV	DESCRIPTION	DATE	APPROVED



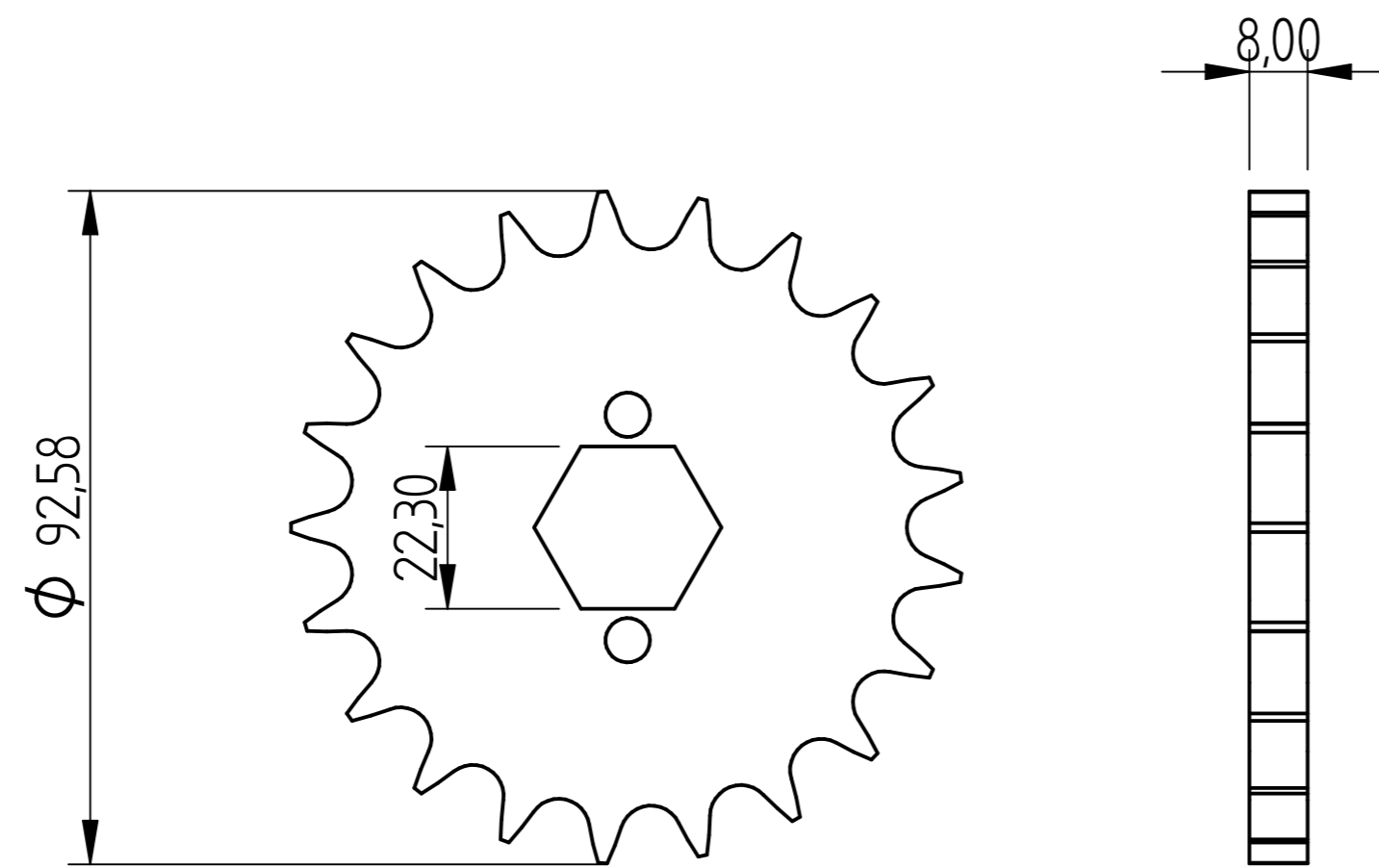
SPROCKET 14 T
BORE final size 37



SPROCKET 16 T

	NAME	DATE	AGRIGEL	
DRAWN	DG	07/04/16		
APPROVED				
MATERIAL				
TREATMENT			TITLE	
UNLESS OTHERWISE SPECIFIED DIMENSIONS ARE IN MILLIMETERS			SIZE A4	DWG NO
1 st ANGLE			FILE NAME: Cluster Drive Sprockets.dft	REV
2 PL ±0.02 3 PL ±0.005			SCALE:	WEIGHT:
			SHEET 2 OF 10	

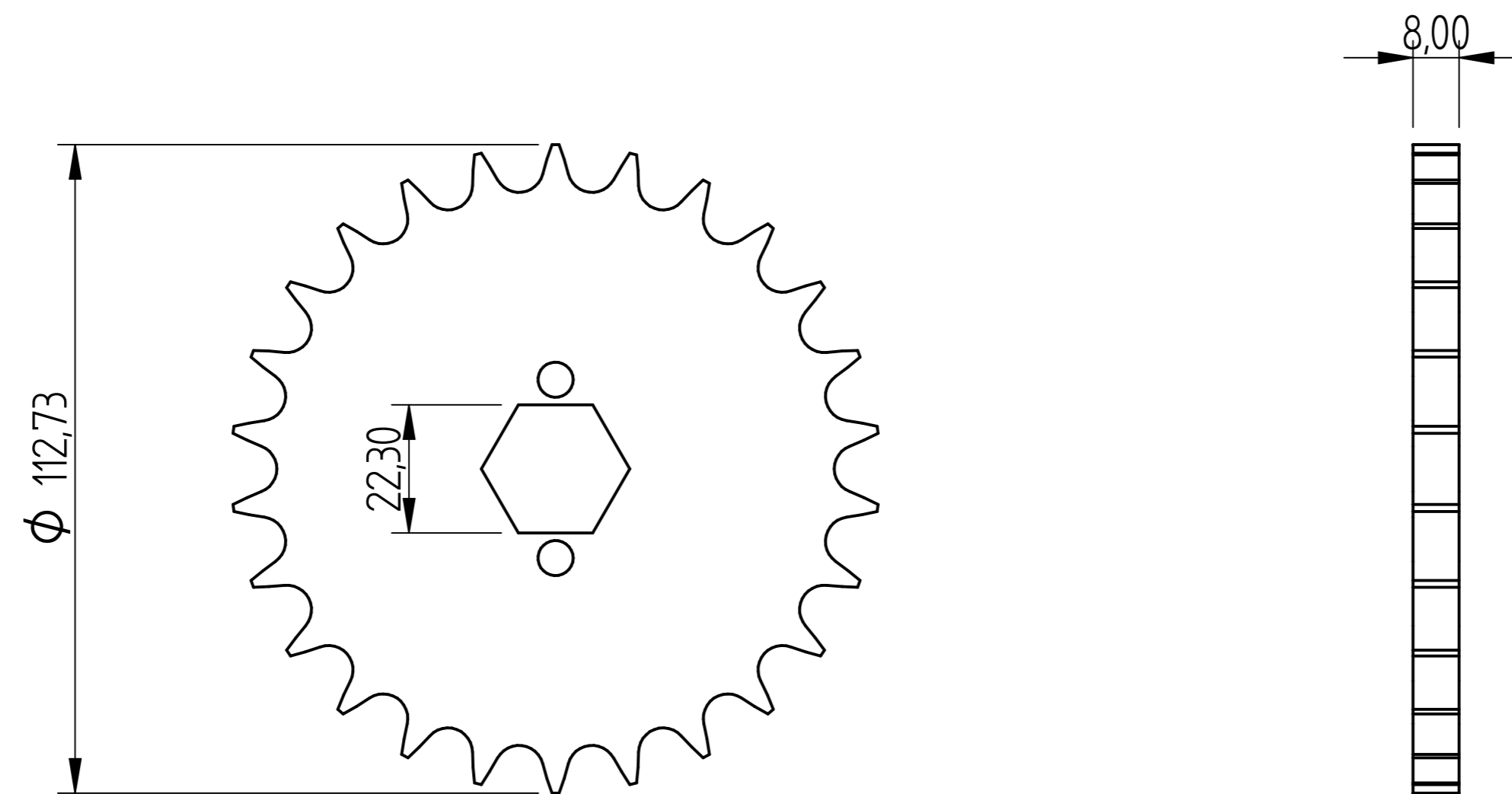
REVISION HISTORY			
REV	DESCRIPTION	DATE	APPROVED



SPROCKET 21 T

	NAME	DATE	AGRIGEL		
DRAWN	DG	07/04/16			
APPROVED			TITLE		
MATERIAL					
TREATMENT			UNLESS OTHERWISE SPECIFIED DIMENSIONS ARE IN MILLIMETERS ANGLES $\pm 0.1^\circ$ <small>1st ANGLE</small>		
			SIZE A4	DWG NO	REV
			FILE NAME: Cluster Drive Sprockets.dft		
			SCALE:	WEIGHT:	SHEET 3 OF 10

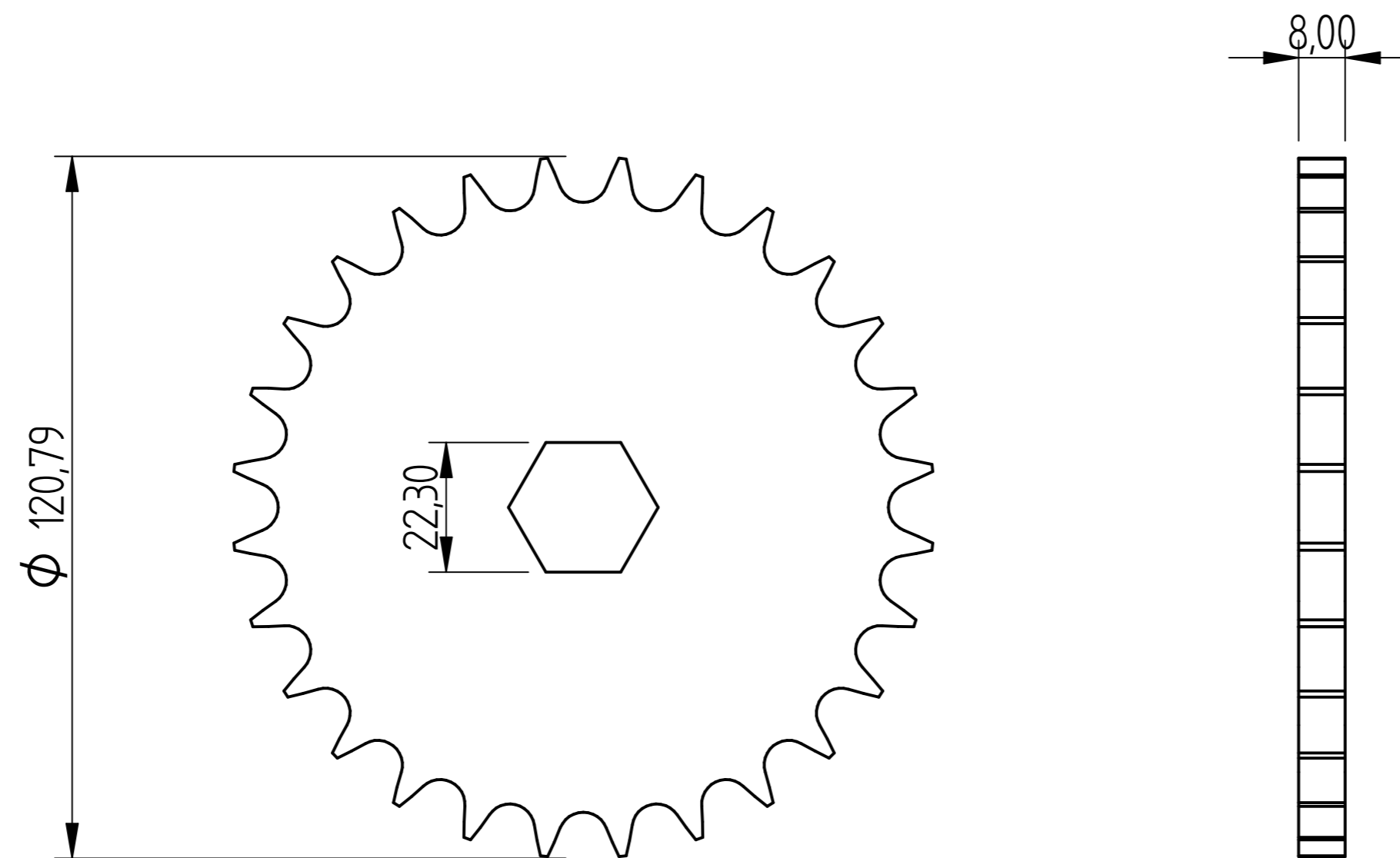
REVISION HISTORY			
REV	DESCRIPTION	DATE	APPROVED



SPROCKET 26 T

	NAME	DATE	AGRIGEL	
DRAWN	DG	07/04/16		
APPROVED				
MATERIAL				
TREATMENT			TITLE	
UNLESS OTHERWISE SPECIFIED DIMENSIONS ARE IN MILLIMETERS			SIZE A4	DWG NO
1 st ANGLE 2 PL ±0.02 3 PL ±0.005			FILE NAME: Cluster Drive Sprockets.dft	REV
			SCALE:	WEIGHT:
			SHEET 4 OF 10	

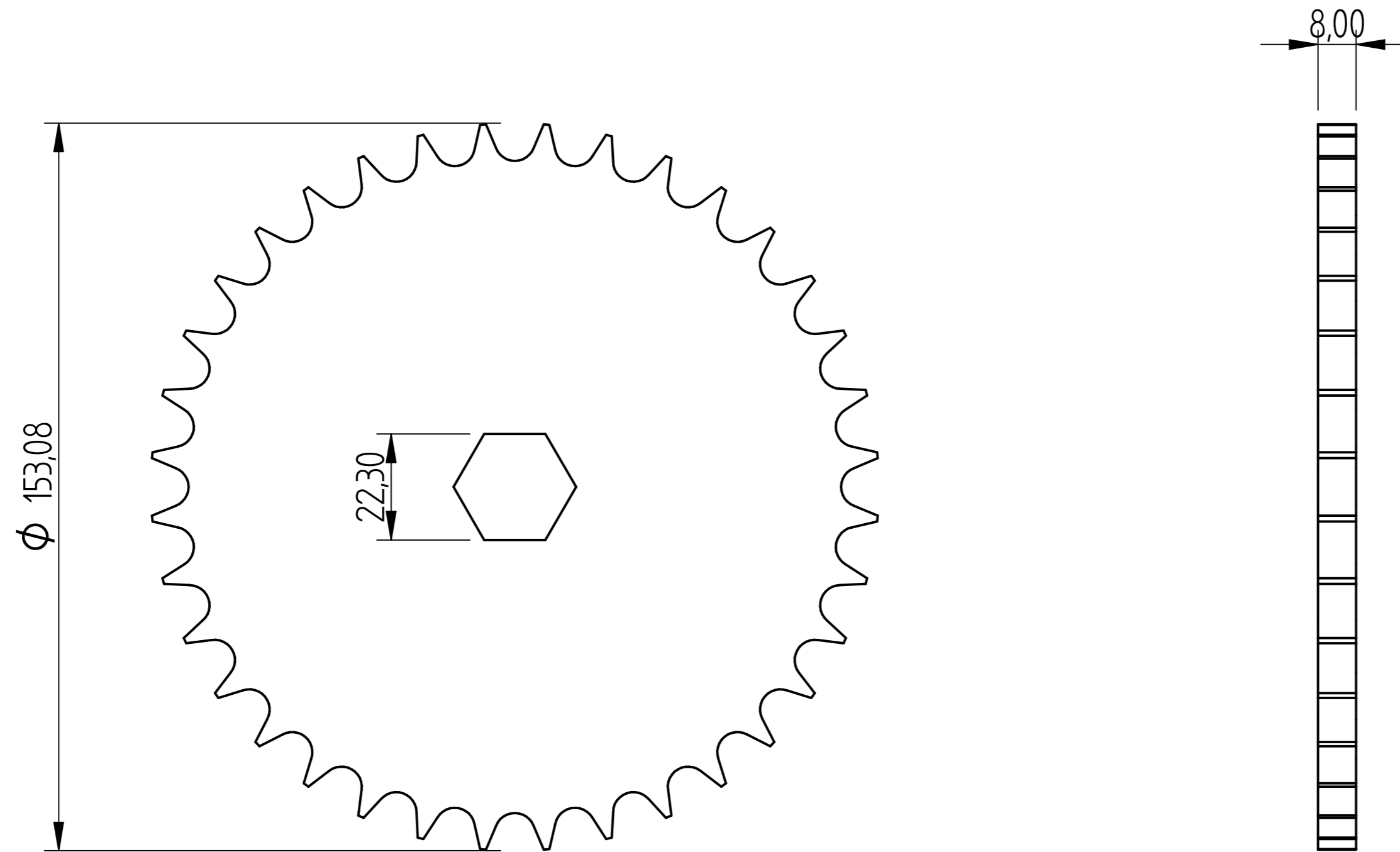
REVISION HISTORY			
REV	DESCRIPTION	DATE	APPROVED



SPROCKET 28 T

	NAME	DATE	AGRIGEL	
DRAWN	DG	07/04/16		
APPROVED			TITLE	
MATERIAL				
TREATMENT			SIZE A4 DWG NO. REV FILE NAME: Cluster Drive Sprockets.dft	
UNLESS OTHERWISE SPECIFIED DIMENSIONS ARE IN MILLIMETERS ANGLES ±0.1° <small>1st ANGLE</small>				
2 PL ±0.02	3 PL ±0.005			SHEET 5 OF 10

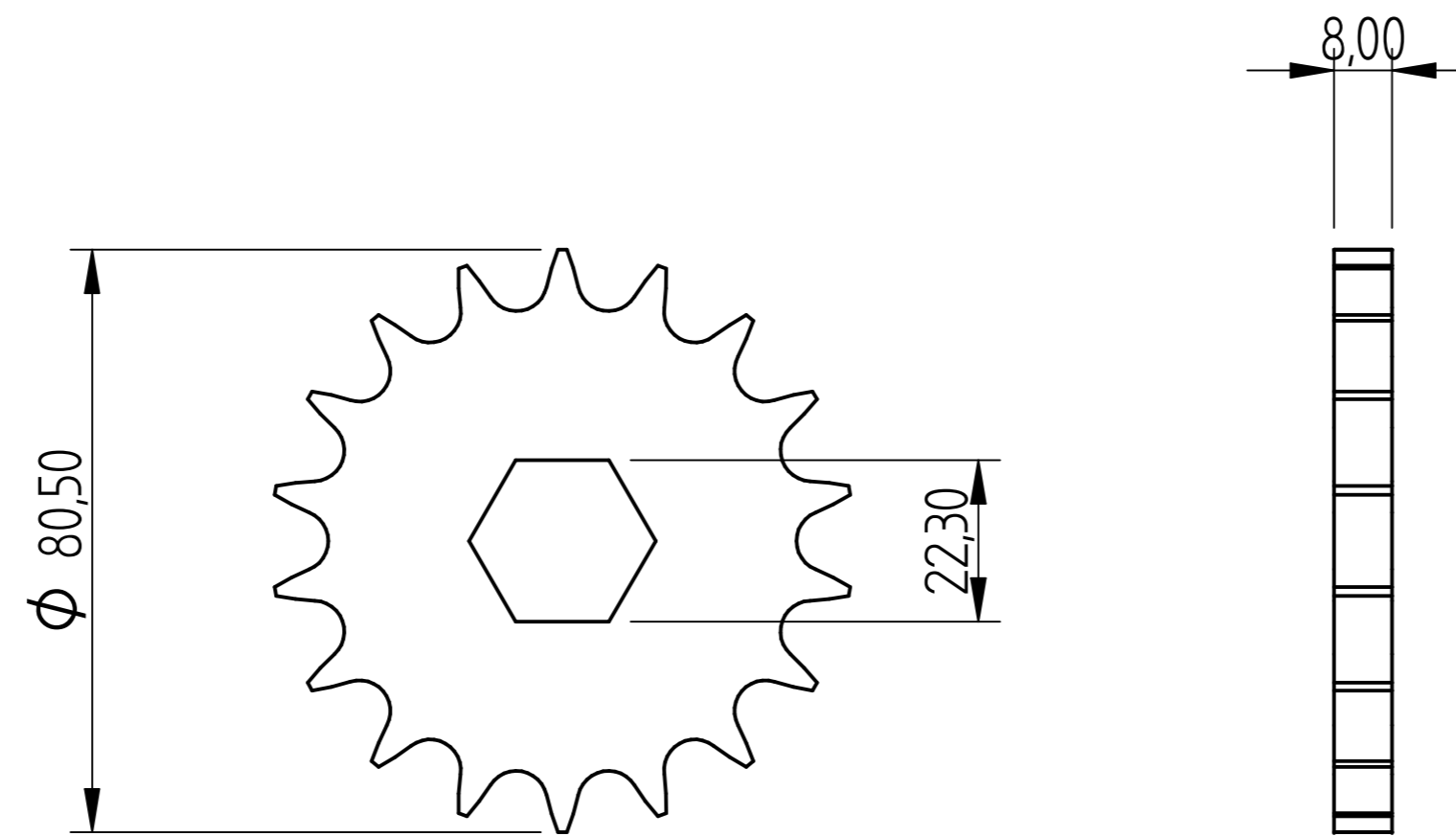
REVISION HISTORY			
REV	DESCRIPTION	DATE	APPROVED




SPROCKET 36 T

	NAME	DATE	AGRIGEL	
DRAWN	DG	07/04/16		
APPROVED			TITLE	
MATERIAL				
TREATMENT				
UNLESS OTHERWISE SPECIFIED DIMENSIONS ARE IN MILLIMETERS			SIZE A4	DWG NO
1 st ANGLE 2 PL ±0.02 3 PL ±0.005			FILE NAME: Cluster Drive Sprockets.dft	
			SCALE:	WEIGHT:
			SHEET 6 OF 10	

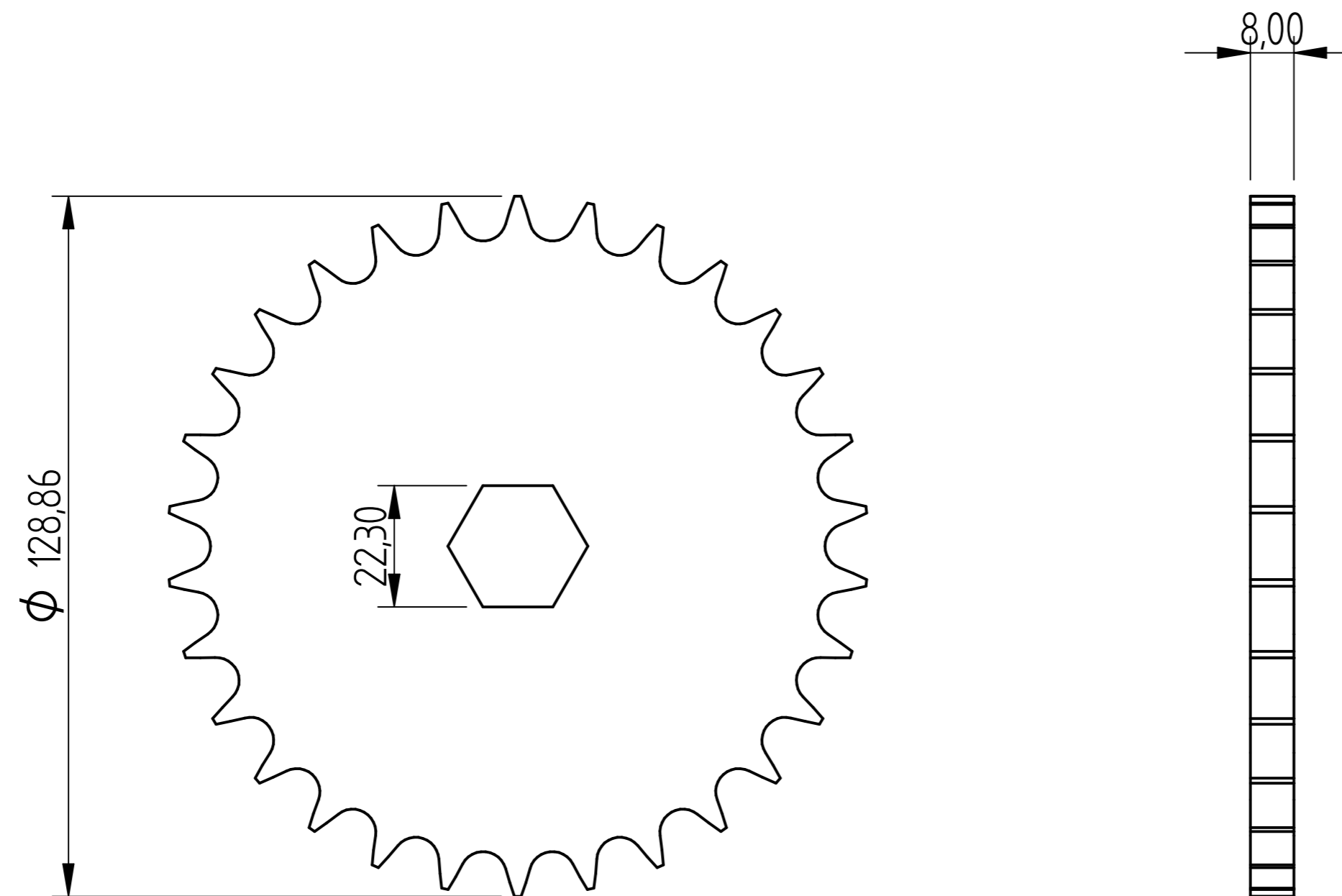
REVISION HISTORY			
REV	DESCRIPTION	DATE	APPROVED



SPROCKET 18 T

	NAME	DATE	AGRIGEL	
DRAWN	DG	07/04/16		
APPROVED				
MATERIAL				
TREATMENT			TITLE	
UNLESS OTHERWISE SPECIFIED DIMENSIONS ARE IN MILLIMETERS			SIZE A4	DWG NO
1 st ANGLE  2 PL ±0.02 3 PL ±0.005			FILE NAME: Cluster Drive Sprockets.dft	REV
			SCALE:	WEIGHT:
			SHEET 7 OF 10	

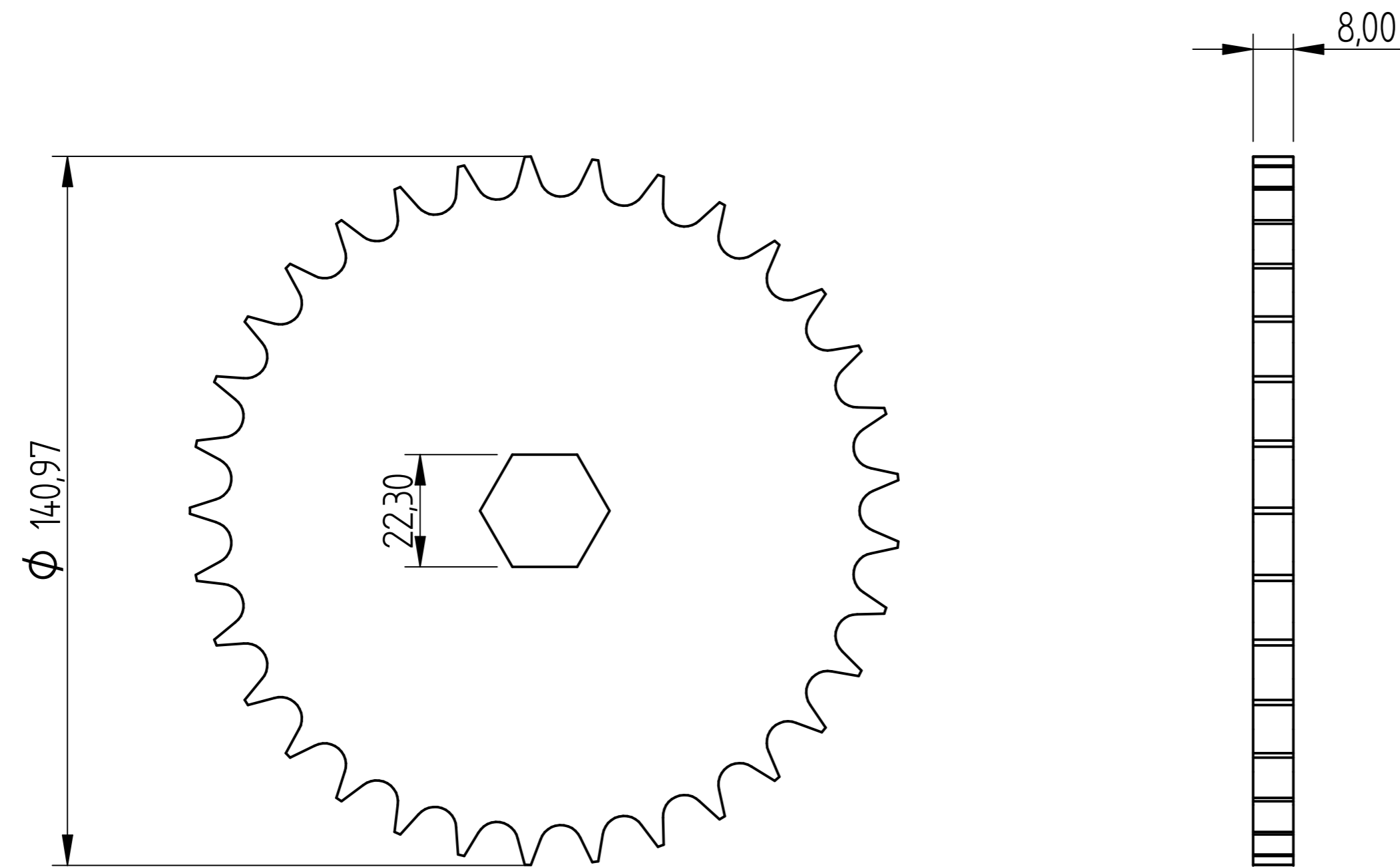
REVISION HISTORY			
REV	DESCRIPTION	DATE	APPROVED



SPROCKET 30 T

	NAME	DATE	AGRIGEL	
DRAWN	DG	07/04/16		
APPROVED				
MATERIAL				
TREATMENT			TITLE	
UNLESS OTHERWISE SPECIFIED DIMENSIONS ARE IN MILLIMETERS			SIZE A4	DWG NO
1 st ANGLE 2 PL ±0.02 3 PL ±0.005			FILE NAME: Cluster Drive Sprockets.dft	REV
			SCALE:	WEIGHT:
			SHEET 8 OF 10	

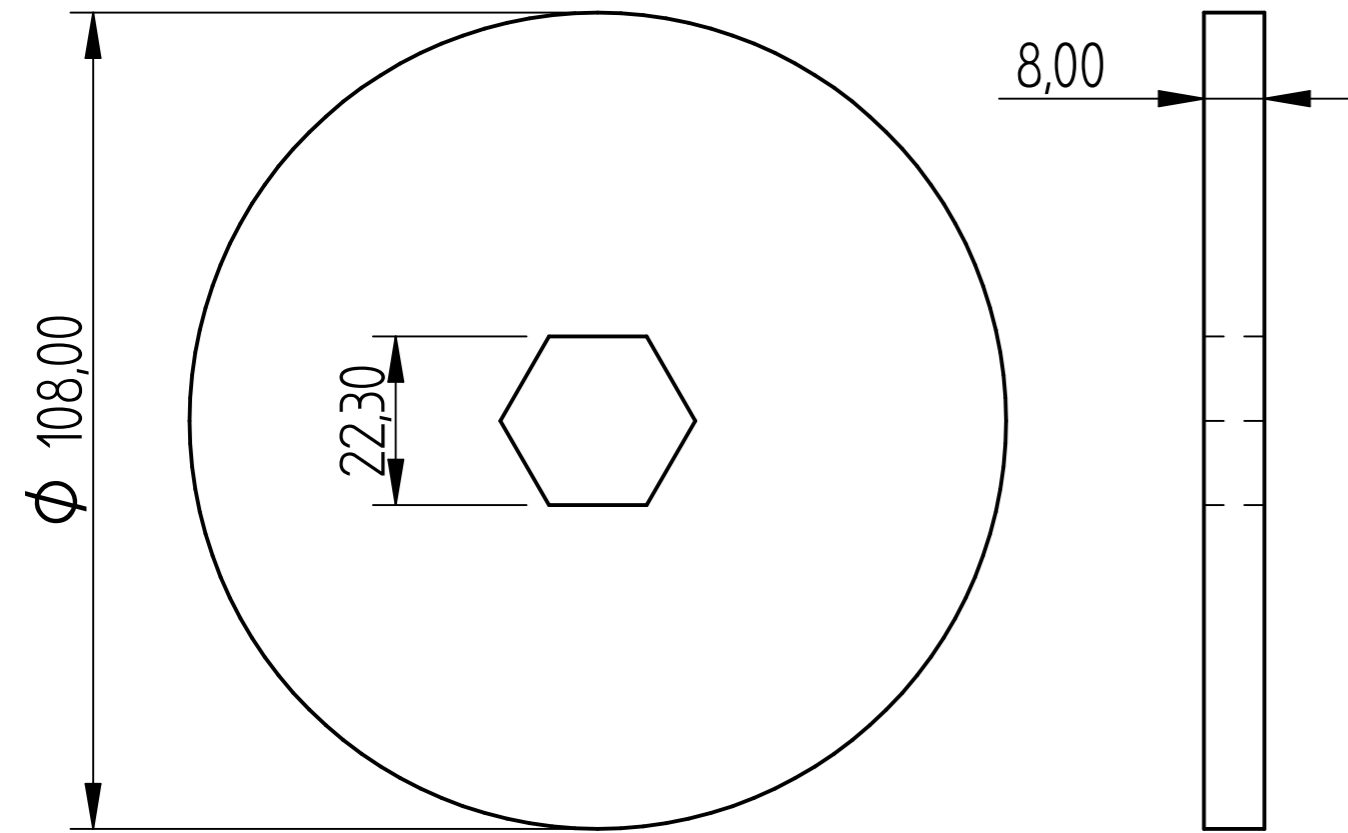
REVISION HISTORY			
REV	DESCRIPTION	DATE	APPROVED



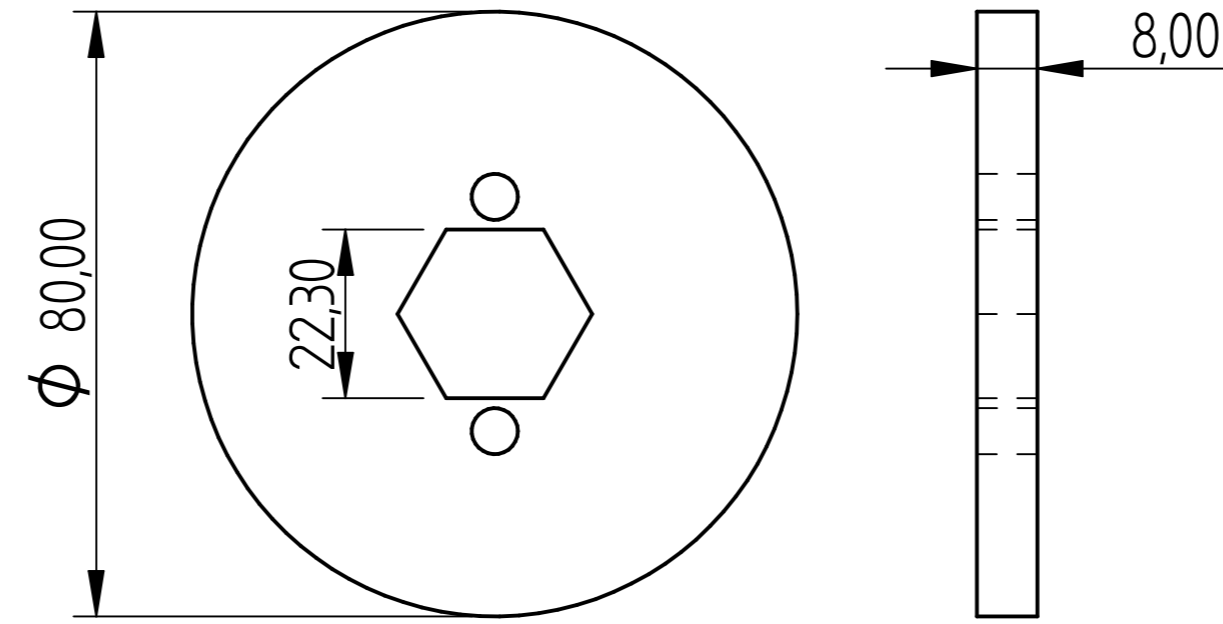
SPROCKET 33 T

	NAME	DATE	AGRIGEL	
DRAWN	DG	07/04/16		
APPROVED				
MATERIAL				
TREATMENT			TITLE	
UNLESS OTHERWISE SPECIFIED DIMENSIONS ARE IN MILLIMETERS			SIZE A4	DWG NO
1 st ANGLE 2 PL ±0.02 3 PL ±0.005			FILE NAME: Cluster Drive Sprockets.dft	REV
			SCALE:	WEIGHT:
			SHEET 9 OF 10	

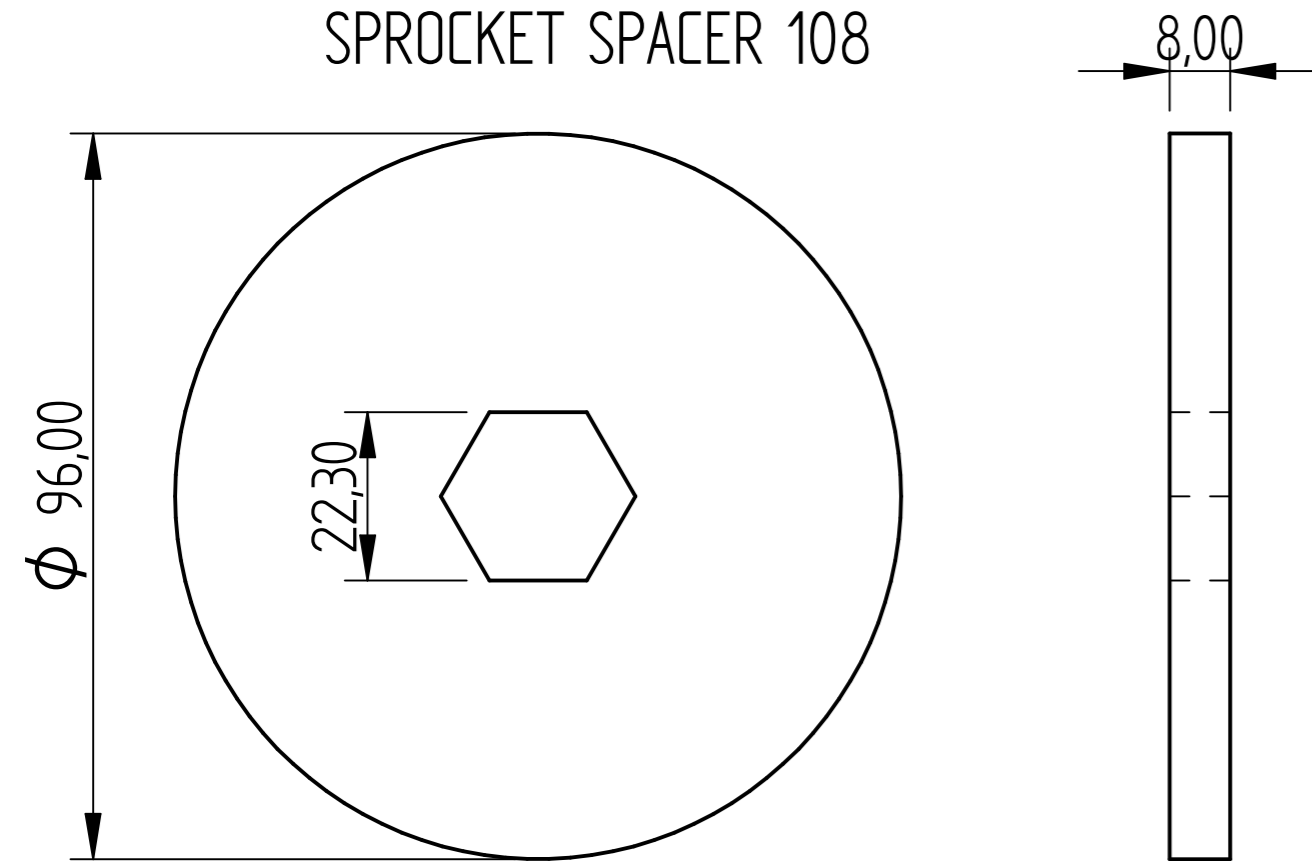
REVISION HISTORY			
REV	DESCRIPTION	DATE	APPROVED



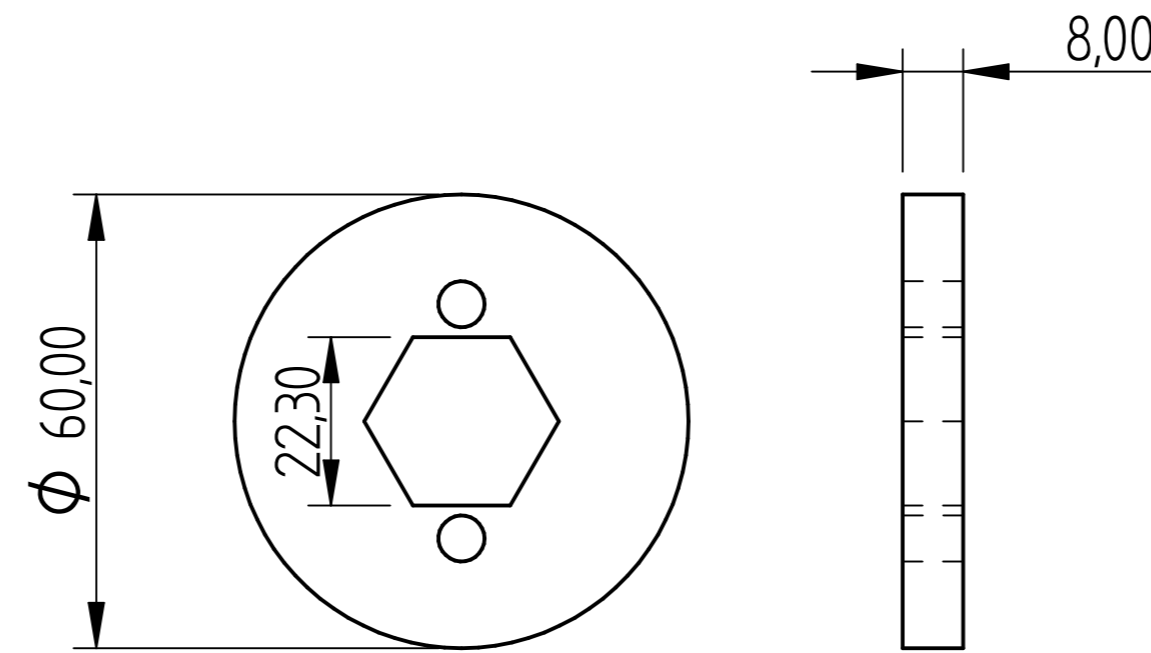
SPROCKET SPACER 108



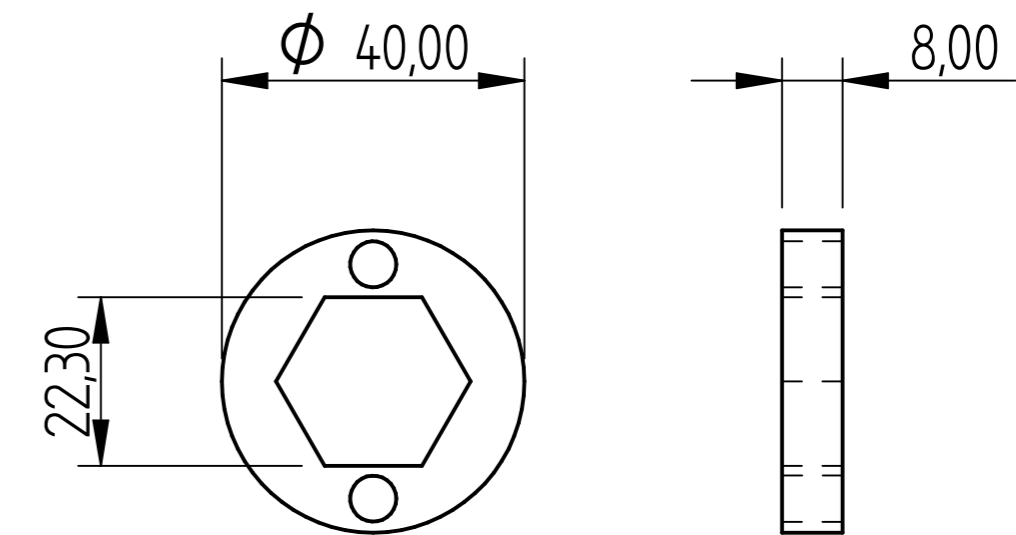
SPROCKET SPACER 80



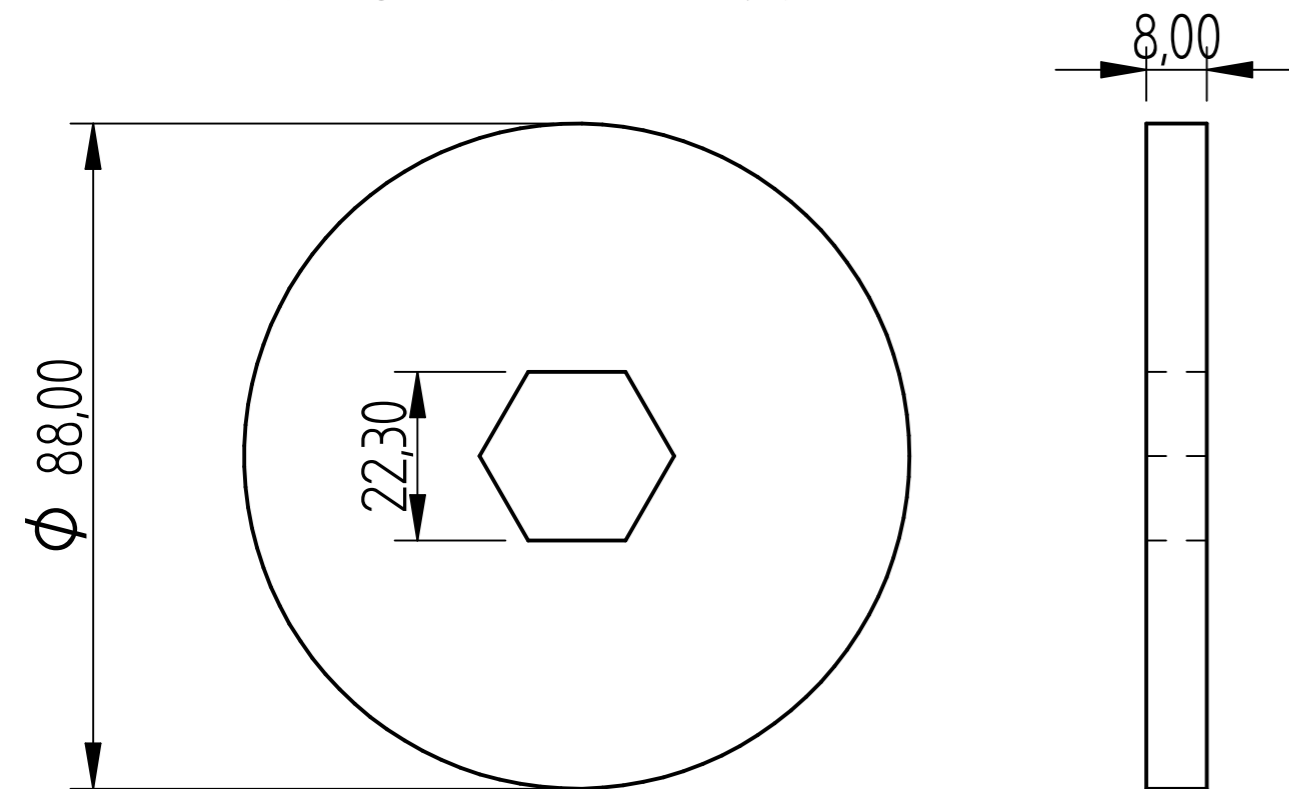
SPROCKET SPACER 96



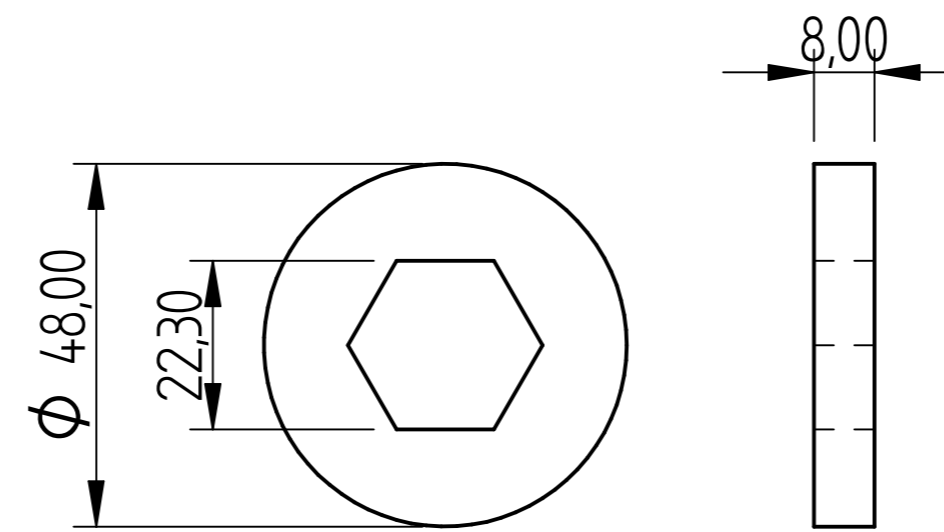
SPROCKET SPACER 60



SPROCKET SPACER 40



SPROCKET SPACER 88



SPROCKET SPACER 48

	NAME	DATE	AGRIGEL	
DRAWN	DG	07/04/16		
APPROVED				
MATERIAL				
TREATMENT			TITLE	
UNLESS OTHERWISE SPECIFIED DIMENSIONS ARE IN MILLIMETERS			SIZE A4	DWG NO
1 st ANGLE			FILE NAME: Cluster Drive Sprockets.dft	REV
2 PL ±0.02 3 PL ±0.005			SCALE:	WEIGHT:
			SHEET 10 OF 10	