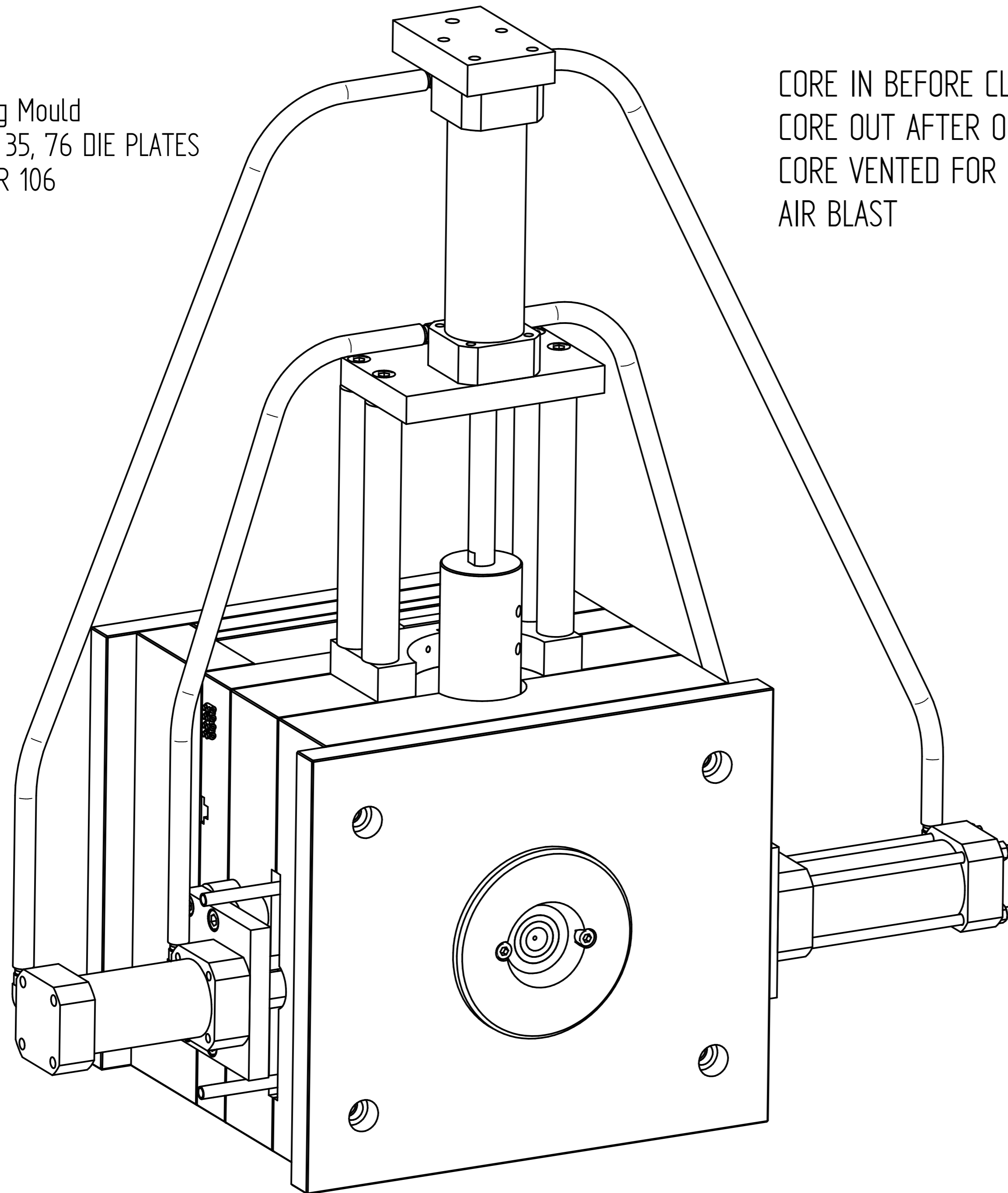
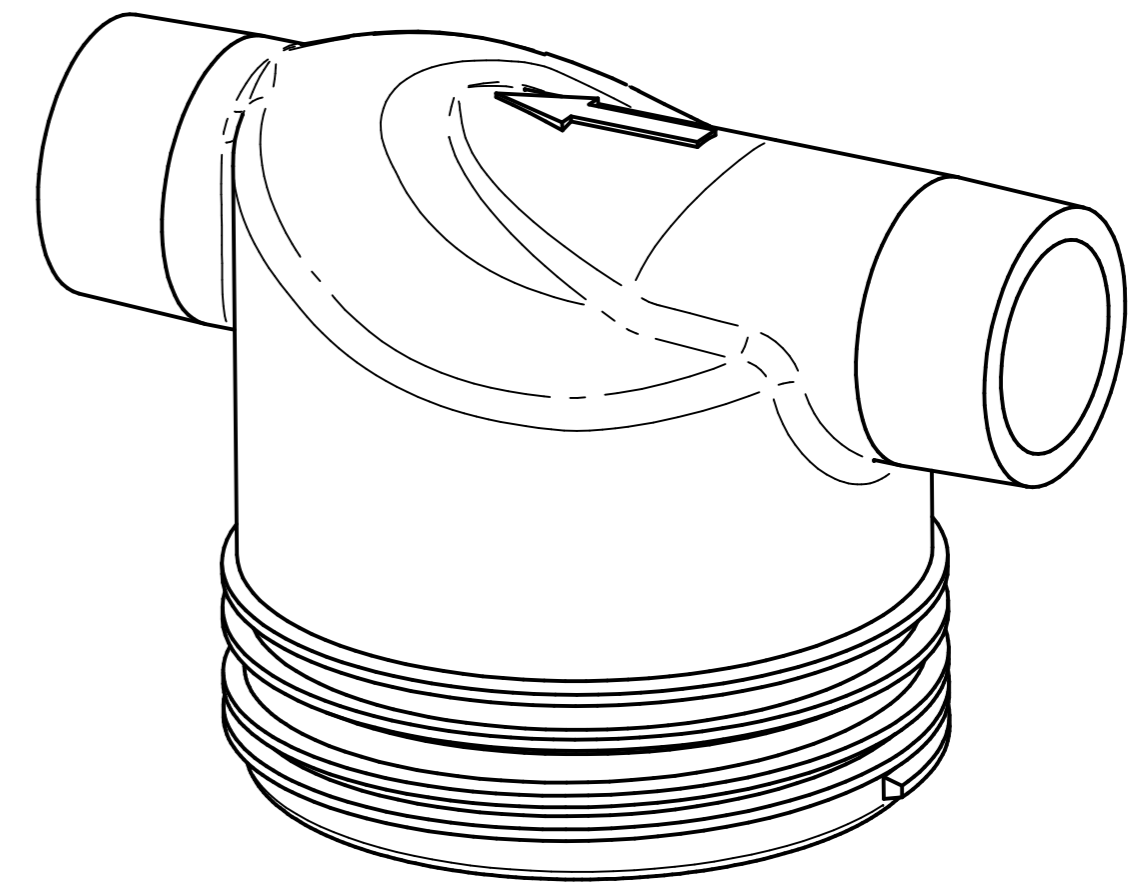


REVISION HISTORY			
REV	DESCRIPTION	DATE	APPROVED

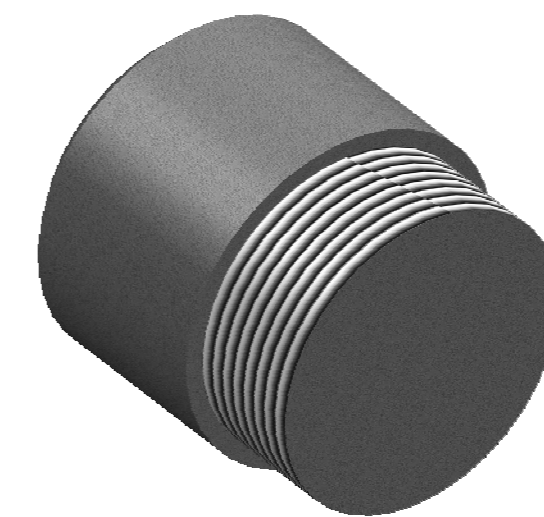
Housing Mould  
 MOULD BASE 35 X 35, 76 DIE PLATES  
 RISER 106



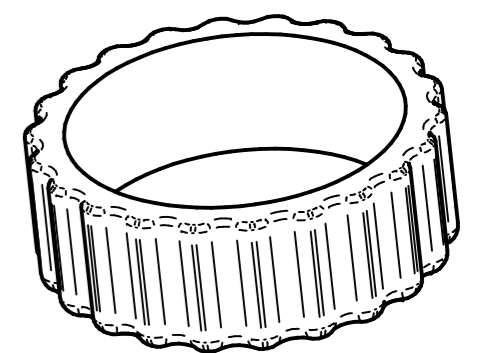
CORE IN BEFORE CLOSE  
 CORE OUT AFTER OPEN  
 CORE VENTED FOR  
 AIR BLAST



Filter Housing 40mm  
 PP Glass Filled 30% Black  
 0.336 kg



Cap Insert



Cleaning Cap  
 Moulded with Housing  
 0.032 kg

DRAWN	NAME	DATE	<b>AGRIGEL</b>	
APPROVED	Dan	01/18/14		
MATERIAL				
TREATMENT				
UNLESS OTHERWISE SPECIFIED DIMENSIONS ARE IN MILLIMETERS			SIZE A4	DWG NO
1st ANGLE ANGLS ±0.1°			FILE NAME: Housing Mould.dft	
2 PL ±0.02 3 PL ±0.005			SCALE:	WEIGHT:
			SHEET 1 OF 27	