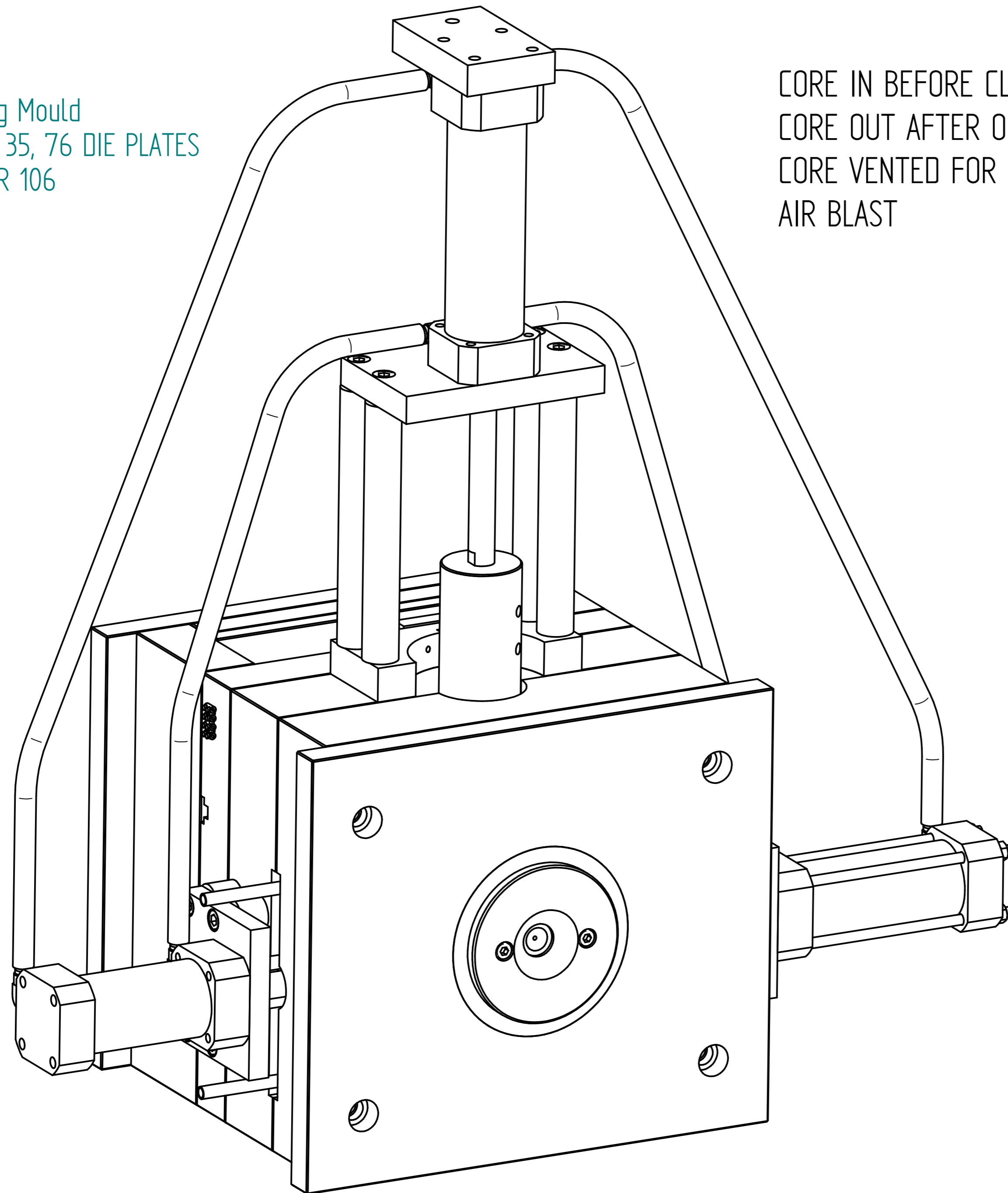
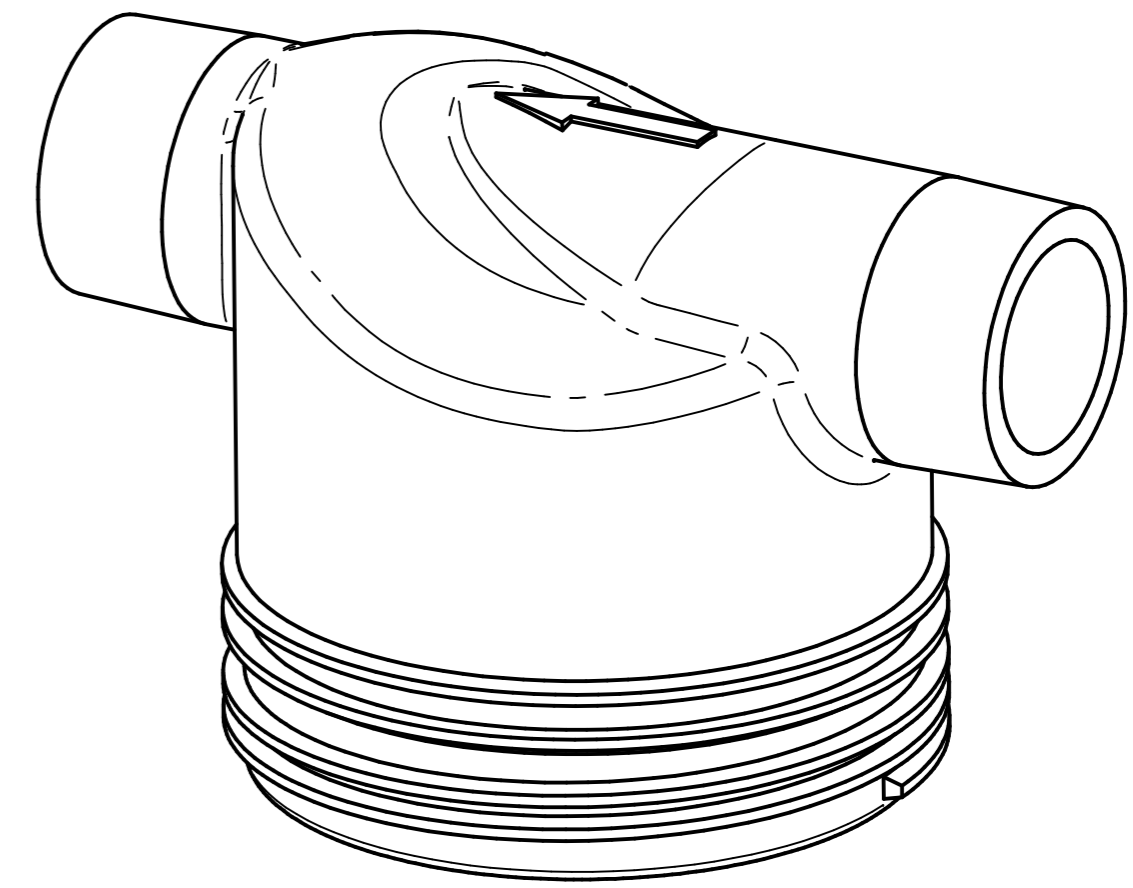


REVISION HISTORY			
REV	DESCRIPTION	DATE	APPROVED

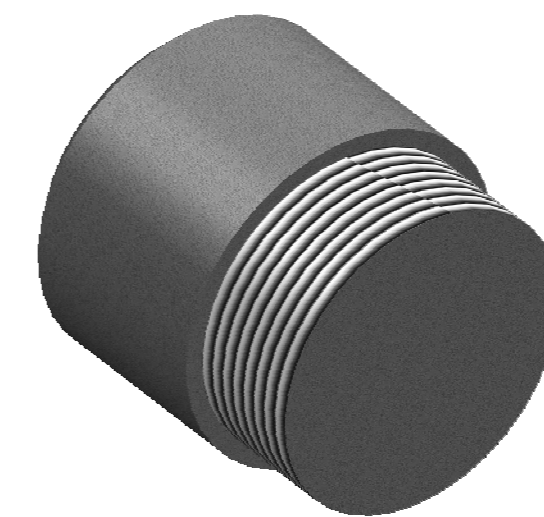
Housing Mould
MOULD BASE 35 X 35, 76 DIE PLATES
RISER 106



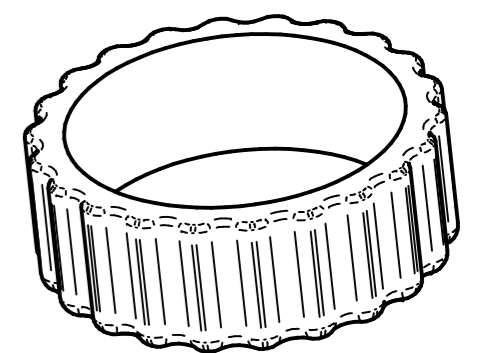
CORE IN BEFORE CLOSE
CORE OUT AFTER OPEN
CORE VENTED FOR
AIR BLAST



Filter Housing 40mm
PP Glass Filled 30% Black
0.336 kg



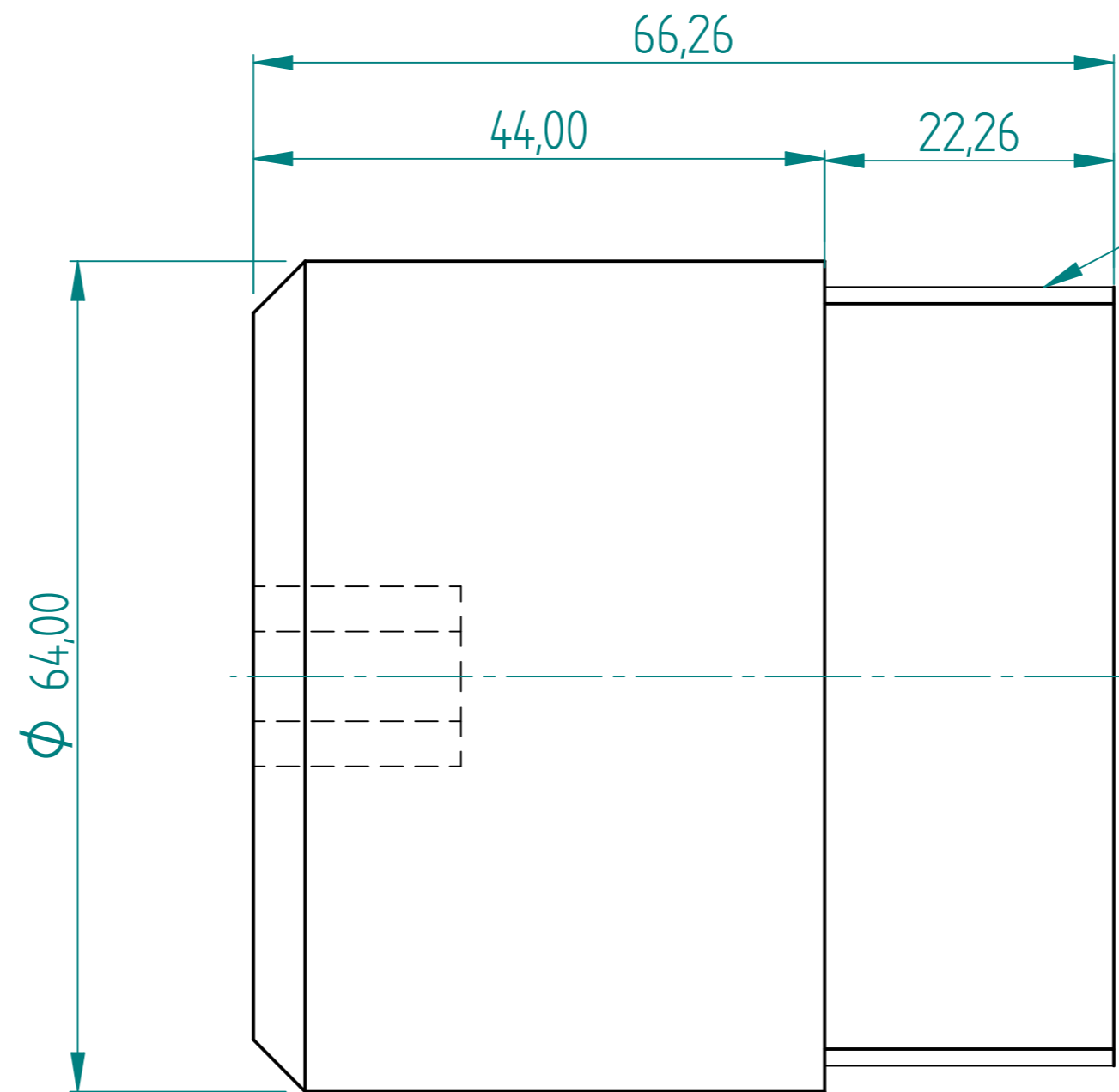
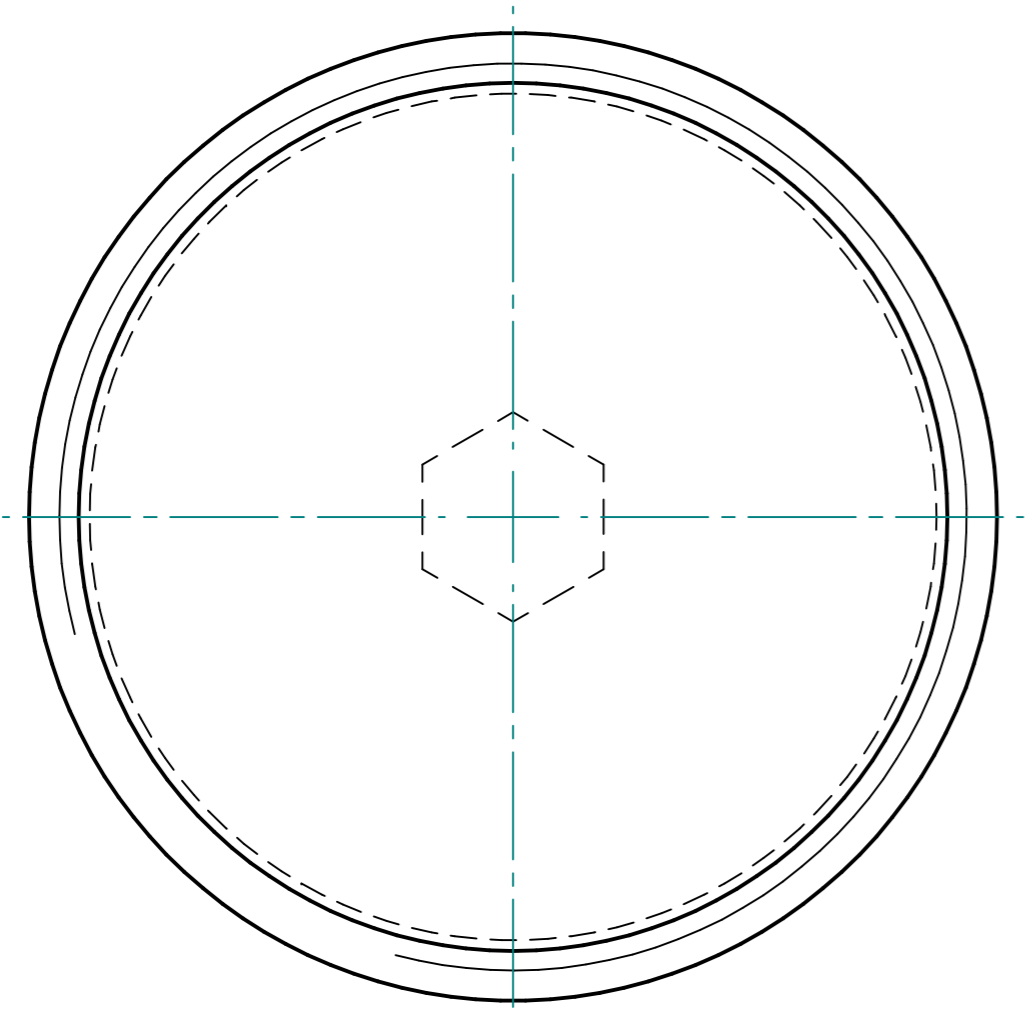
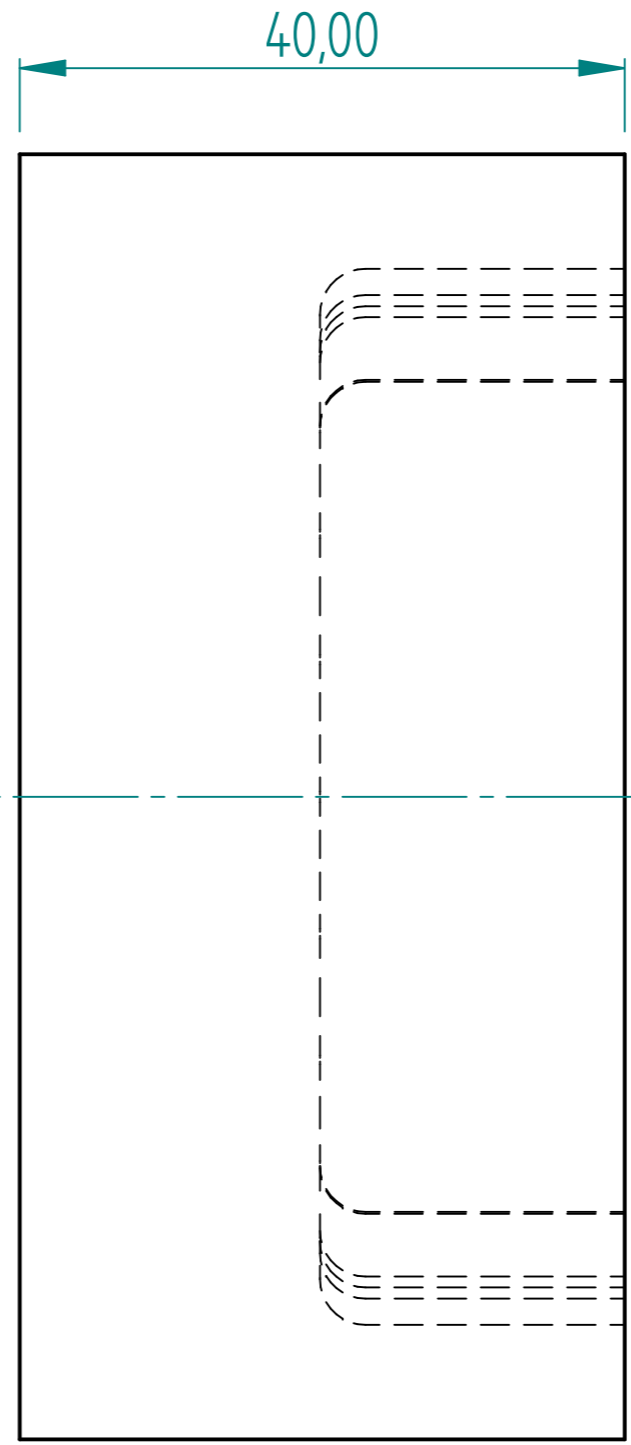
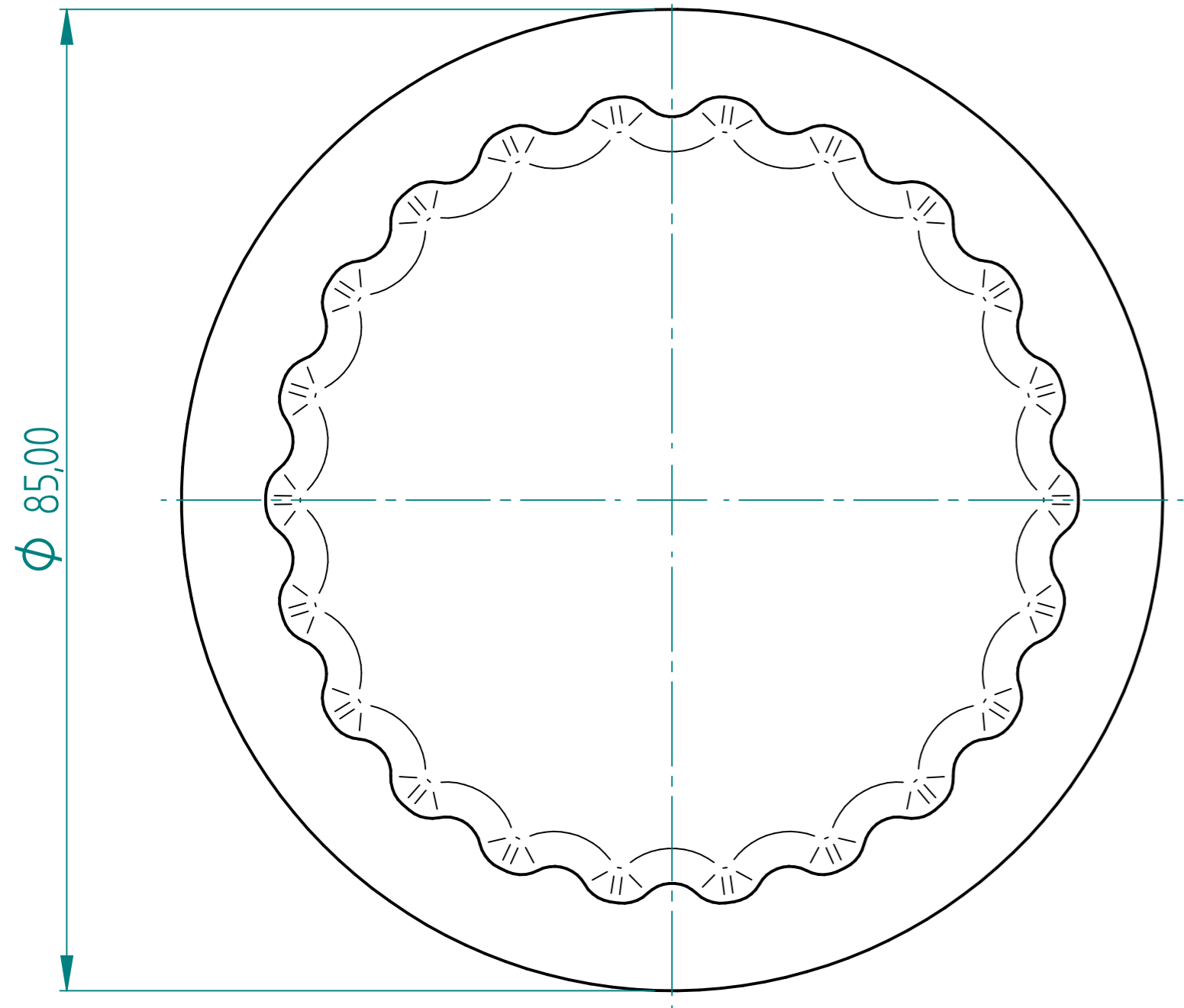
Cap Insert



Cleaning Cap
Moulded with Housing
0.032 kg

DRAWN	NAME	DATE	AGRIGEL	
APPROVED	Dan	01/18/14	TITLE	
MATERIAL			Housing Mould	
TREATMENT			SIZE	DWG NO
UNLESS OTHERWISE SPECIFIED DIMENSIONS ARE IN MILLIMETERS			A4	REV
1st ANGLE ANGLES ±0.1°			FILE NAME: Housing Mould.dft	
2 PL ±0.02 3 PL ±0.005			SCALE:	WEIGHT: SHEET 1 OF 28

REVISION HISTORY			
REV	DESCRIPTION	DATE	APPROVED



M60 x 3 - 22,00 DEEP

DRAWN	NAME	DATE	AGRIGEL			
APPROVED	Dan	01/18/14				
MATERIAL					TITLE	Housing Mould
TREATMENT					SIZE	A4
UNLESS OTHERWISE SPECIFIED DIMENSIONS ARE IN MILLIMETERS			DWG NO	REV		
1 st ANGLE			FILE NAME: Housing Mould.dft			
2 PL ±0.02 3 PL ±0.005			SCALE:	WEIGHT:		
			SHEET 28 OF 28			