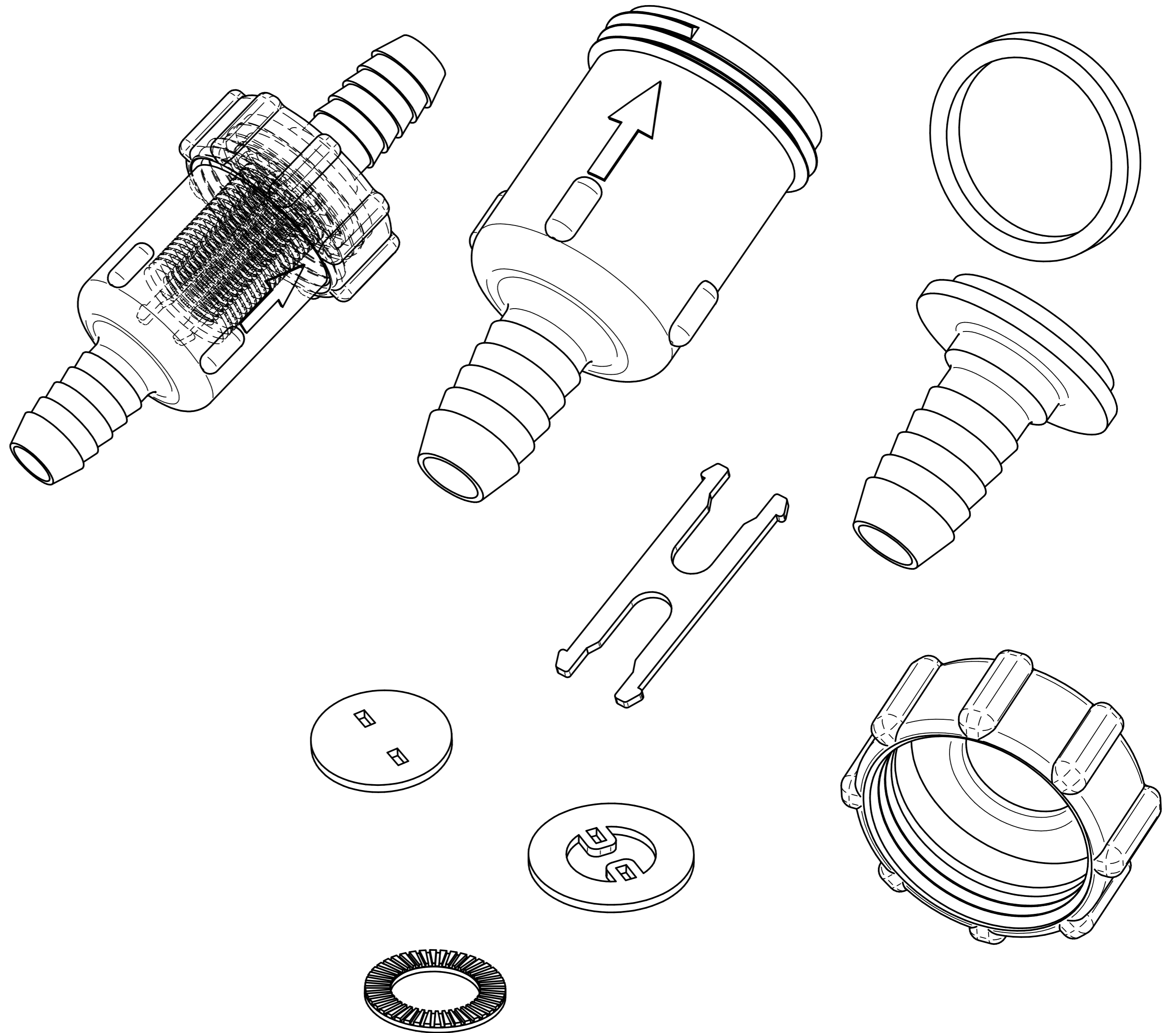
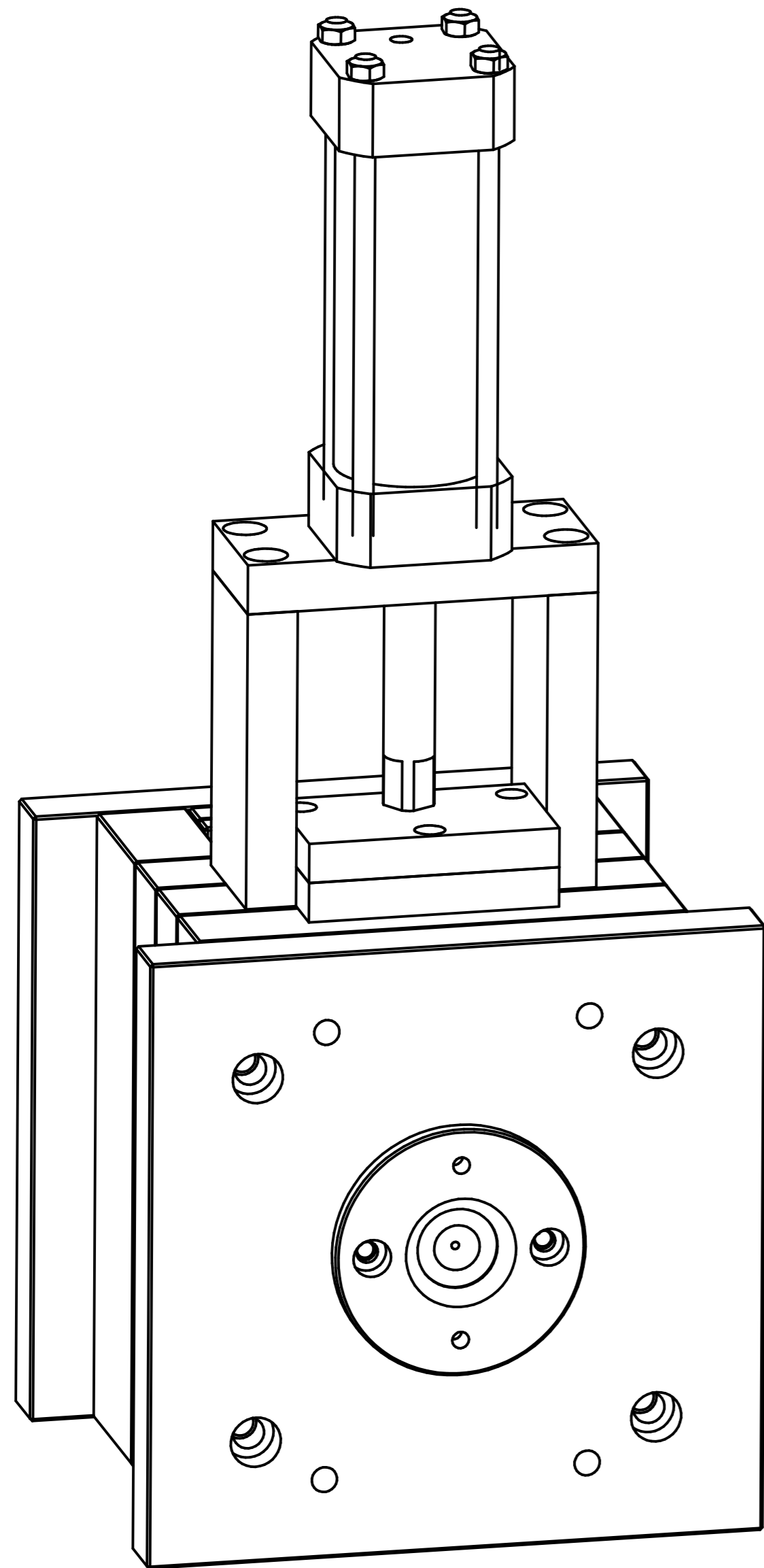


REVISION HISTORY			
REV	DESCRIPTION	DATE	APPROVED



DRAWN	NAME	DATE	<b>AGRIGEL</b>		
APPROVED	Dan	05/20/18			
MATERIAL					
TREATMENT					
UNLESS OTHERWISE SPECIFIED DIMENSIONS ARE IN MILLIMETERS			SIZE	DWG NO	REV
1st ANGLE ANGLES ±0.1°			A4		
2 PL ±0.02 3 PL ±0.005			FILE NAME: Filter 12 Family Mould.dft		
			SCALE:	WEIGHT:	SHEET 1 OF 14