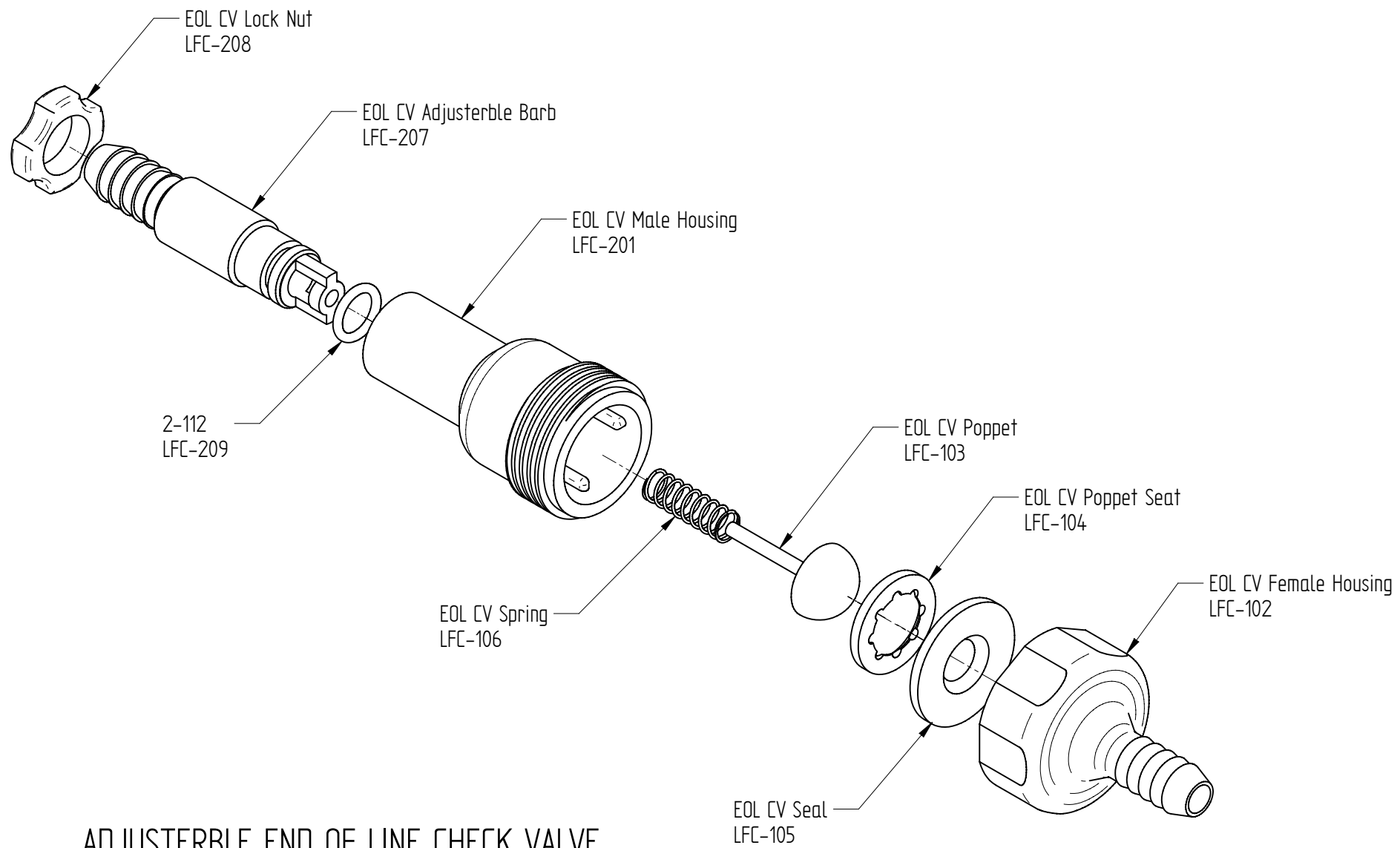


REVISION HISTORY			
REV	DESCRIPTION	DATE	APPROVED



ADJUSTERBLE END OF LINE CHECK VALVE

	NAME	DATE	AGRIGEL(PTY)LTD.	
DRAWN	Dan	11/10/06	TITLE	Adjusterble End of Line Check Valve
APPROVED				
MATERIAL				
TREATMENT				
	UNLESS OTHERWISE SPECIFIED DIMENSIONS ARE IN MILLIMETERS ANGLES ±0.1°		SIZE A2	DWG NO
	2 PL ±0.02	3 PL ±0.005		
			FILE NAME: End of Line Check Valve.dft	
			SCALE:	WEIGHT:
				SHEET 1 OF 1