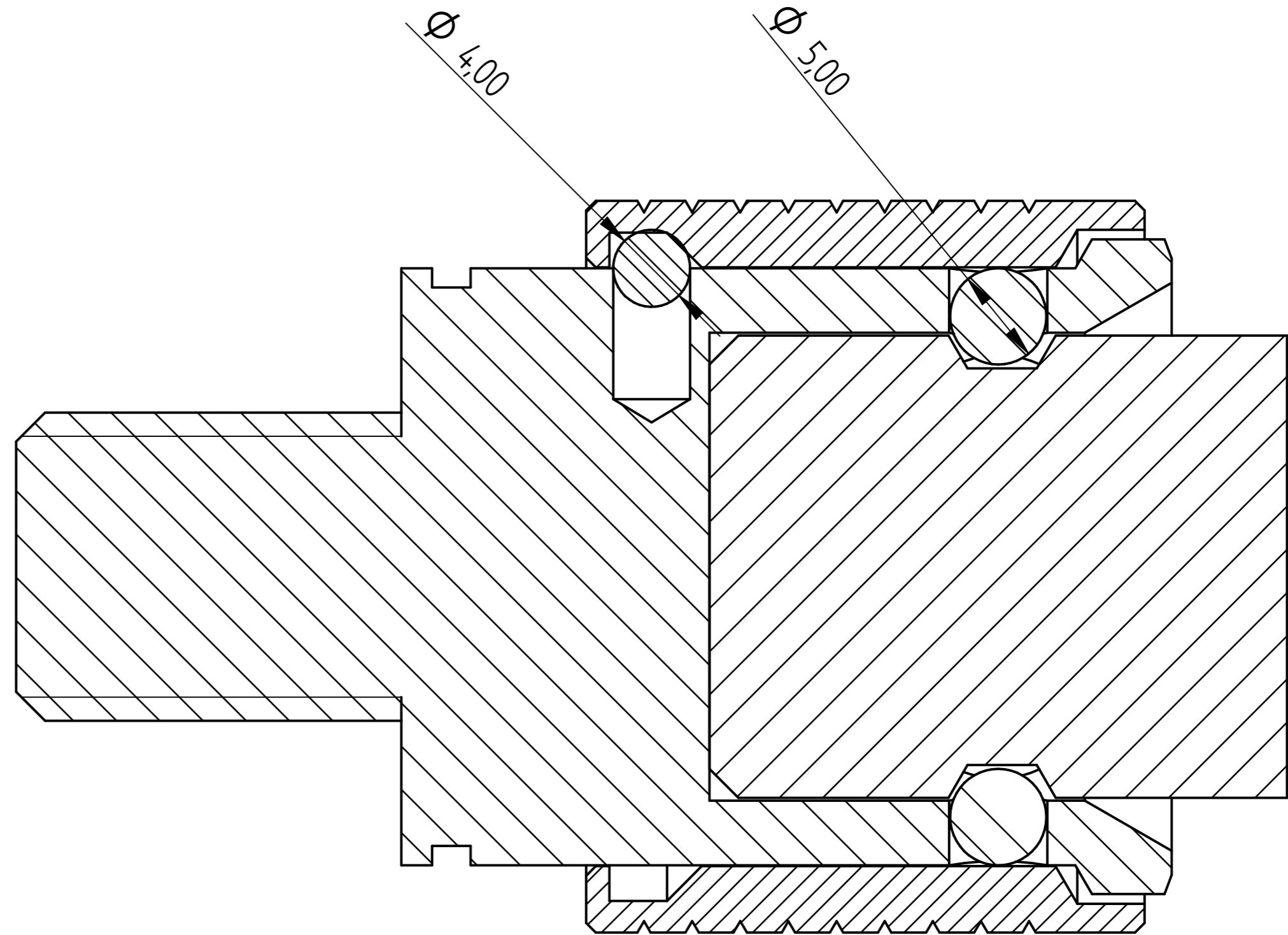
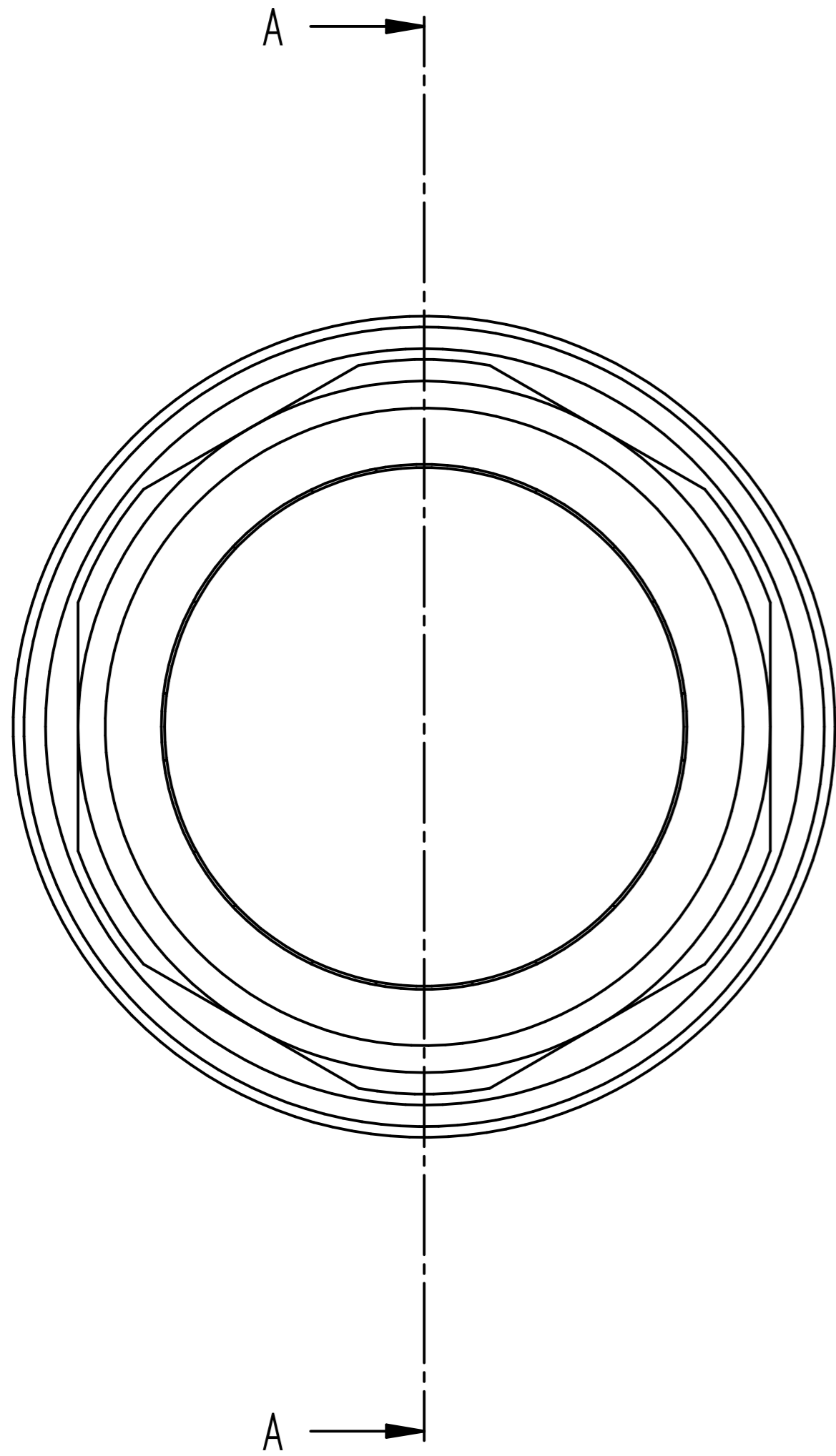


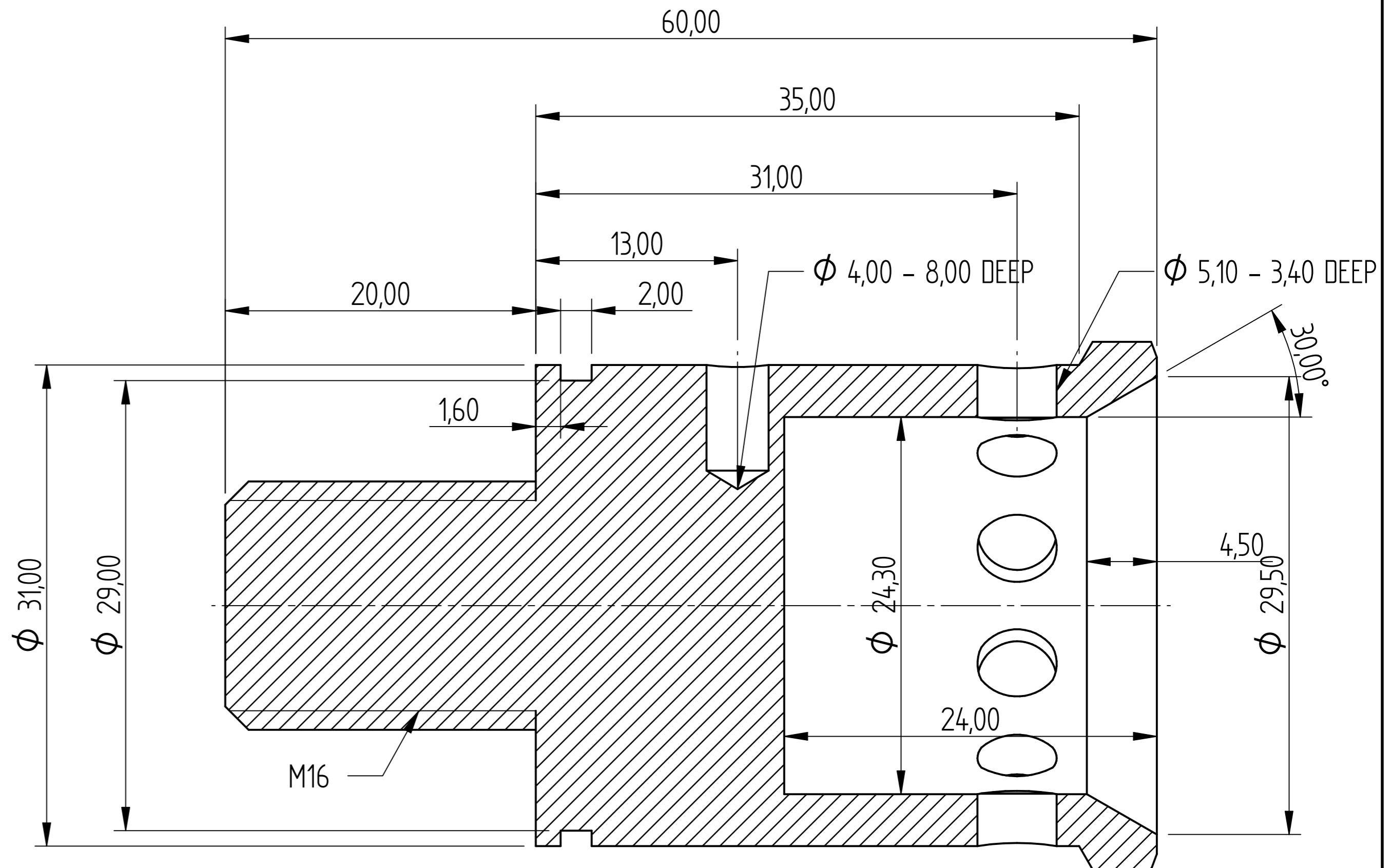
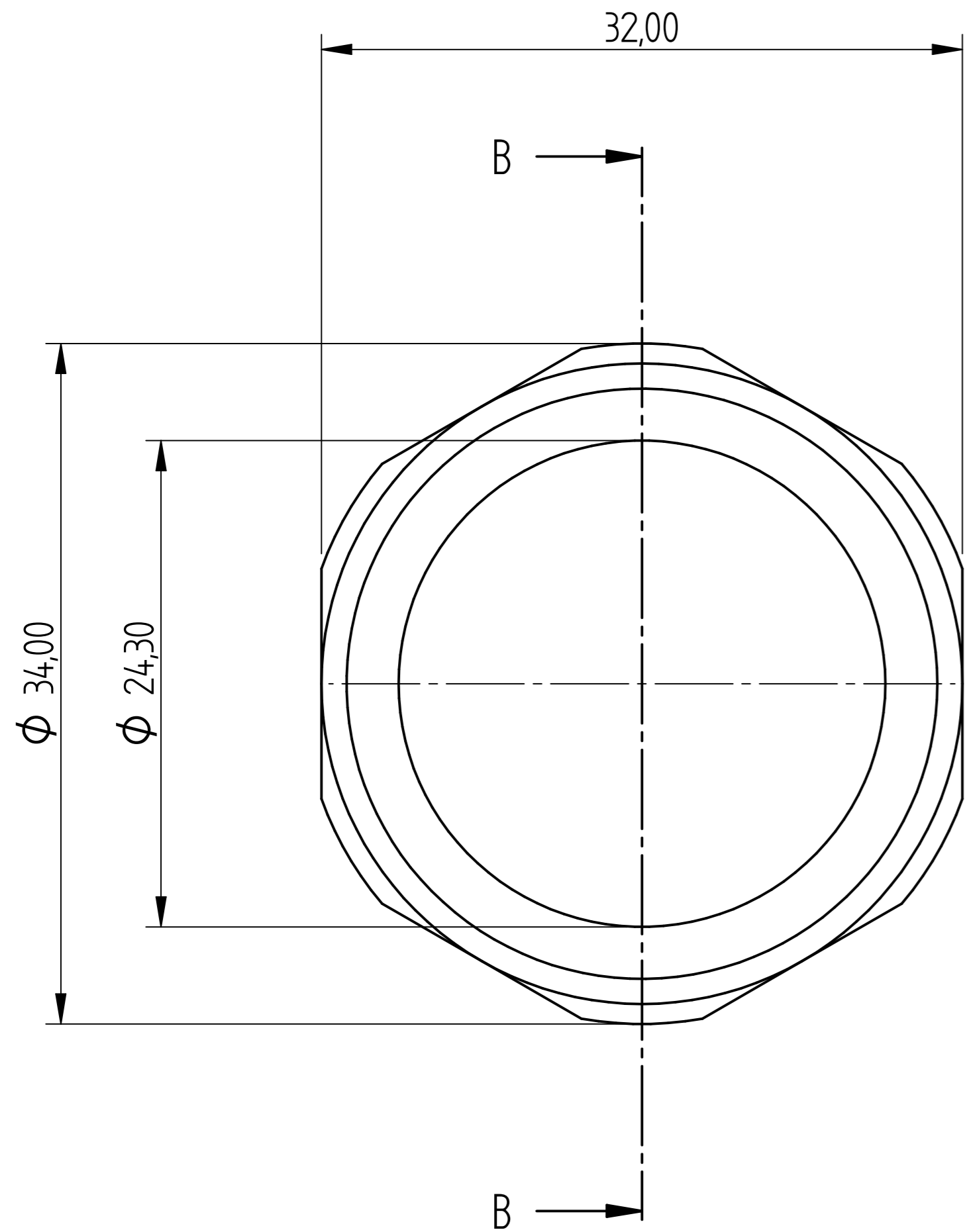
REVISION HISTORY			
REV	DESCRIPTION	DATE	APPROVED



SECTION A-A

	NAME	DATE	<b>AGRIGEL</b>	
DRAWN	DG	10/31/17		
APPROVED				
MATERIAL				
TREATMENT			TITLE	
UNLESS OTHERWISE SPECIFIED DIMENSIONS ARE IN MILLIMETERS			SIZE A4	DWG NO
1 <sup>st</sup> ANGLE 2 PL $\pm 0.02$ 3 PL $\pm 0.005$			FILE NAME: Pull Back.dft	REV
			SCALE:	WEIGHT:
				SHEET 1 OF 4

REVISION HISTORY			
REV	DESCRIPTION	DATE	APPROVED

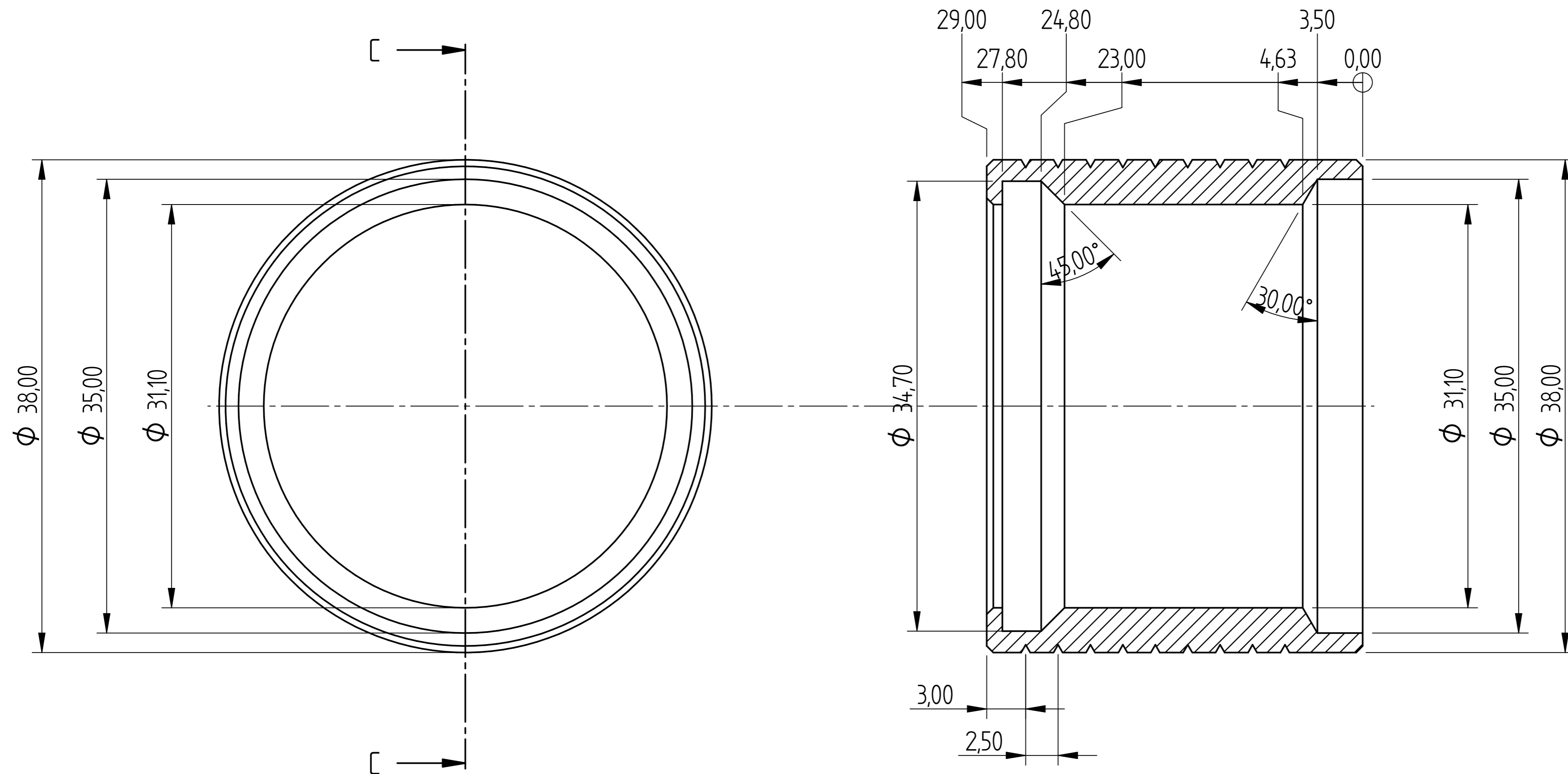


SECTION B-B

Body

	NAME	DATE	<b>AGRIGEL</b>	
DRAWN	DG	10/31/17		
APPROVED			TITLE	
MATERIAL				
TREATMENT				
UNLESS OTHERWISE SPECIFIED DIMENSIONS ARE IN MILLIMETERS			SIZE A4	DWG NO
1st ANGLE ANGLES $\pm 0,1^\circ$			REV	
2 PL $\pm 0,02$ 3 PL $\pm 0,005$			FILE NAME: Pull Back.dft	
SCALE:			WEIGHT:	SHEET 2 OF 4

REVISION HISTORY			
REV	DESCRIPTION	DATE	APPROVED

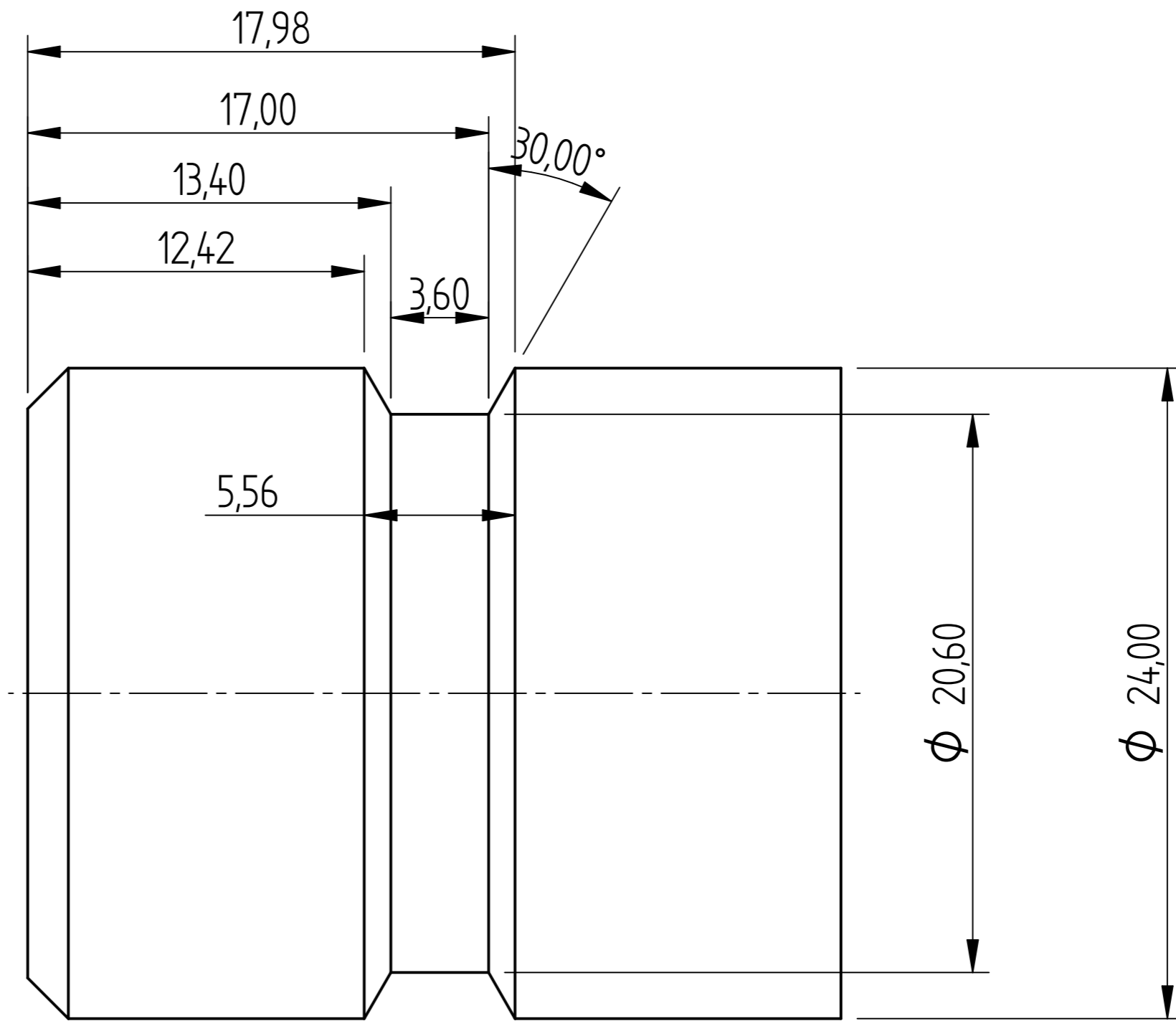
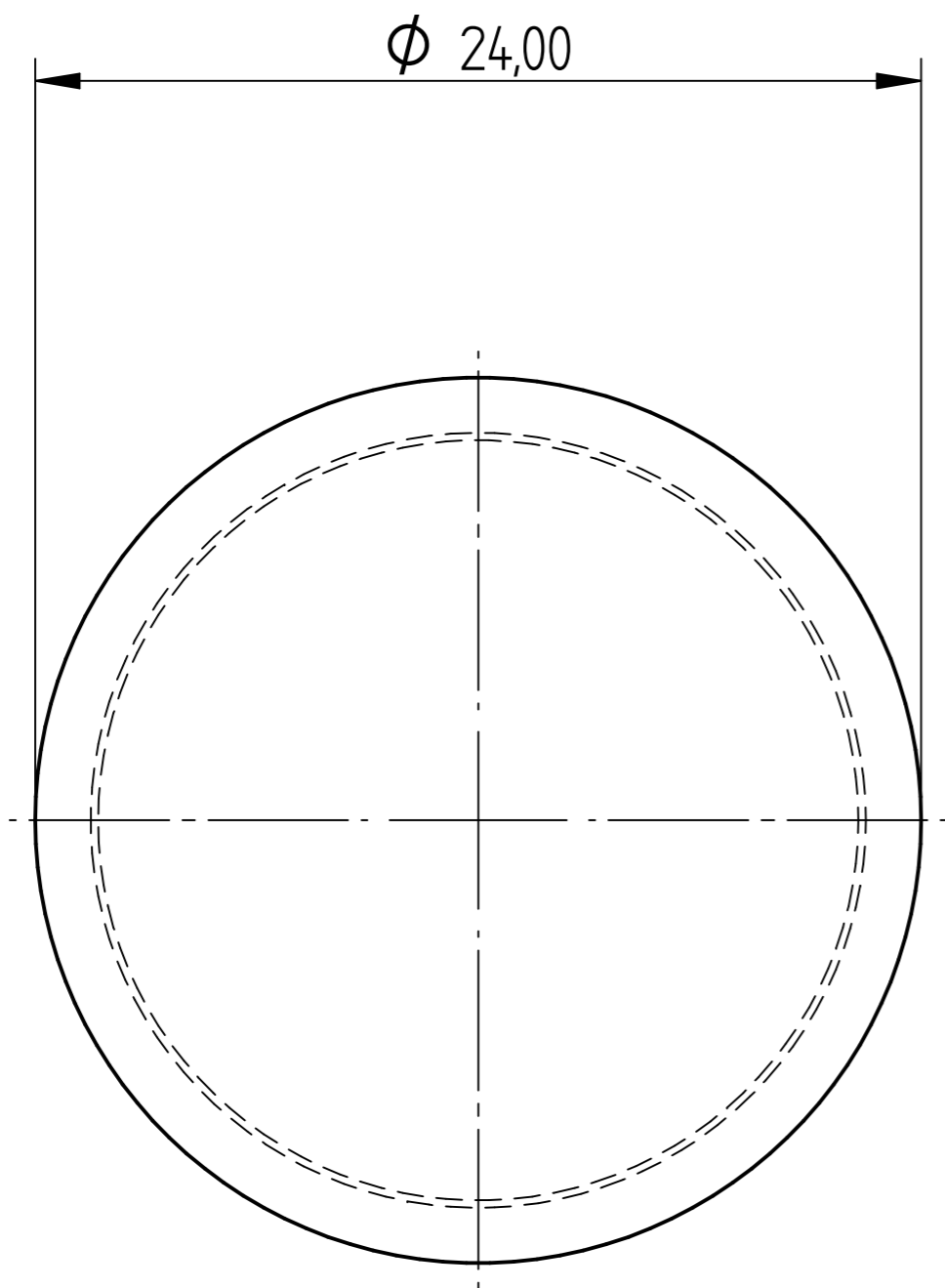


SECTION C-C

Sleeve

	NAME	DATE	<b>AGRIGEL</b>	
DRAWN	DG	10/31/17		
APPROVED				
MATERIAL				
TREATMENT			TITLE	
UNLESS OTHERWISE SPECIFIED DIMENSIONS ARE IN MILLIMETERS			SIZE A4	DWG NO
1st ANGLE ANGLES ±0.1°			FILE NAME: Pull Back.dft	REV
2 PL ±0.02 3 PL ±0.005			SCALE:	WEIGHT:
			SHEET 3 OF 4	

REVISION HISTORY			
REV	DESCRIPTION	DATE	APPROVED



	NAME	DATE	<b>AGRIGEL</b>	
DRAWN	DG	10/31/17		
APPROVED				
MATERIAL				
TREATMENT			TITLE	
UNLESS OTHERWISE SPECIFIED DIMENSIONS ARE IN MILLIMETERS			SIZE A4	DWG NO
1 <sup>st</sup> ANGLE 2 PL ±0.02 3 PL ±0.005			FILE NAME: Pull Back.dft	REV
			SCALE:	WEIGHT:
			SHEET 4 OF 4	