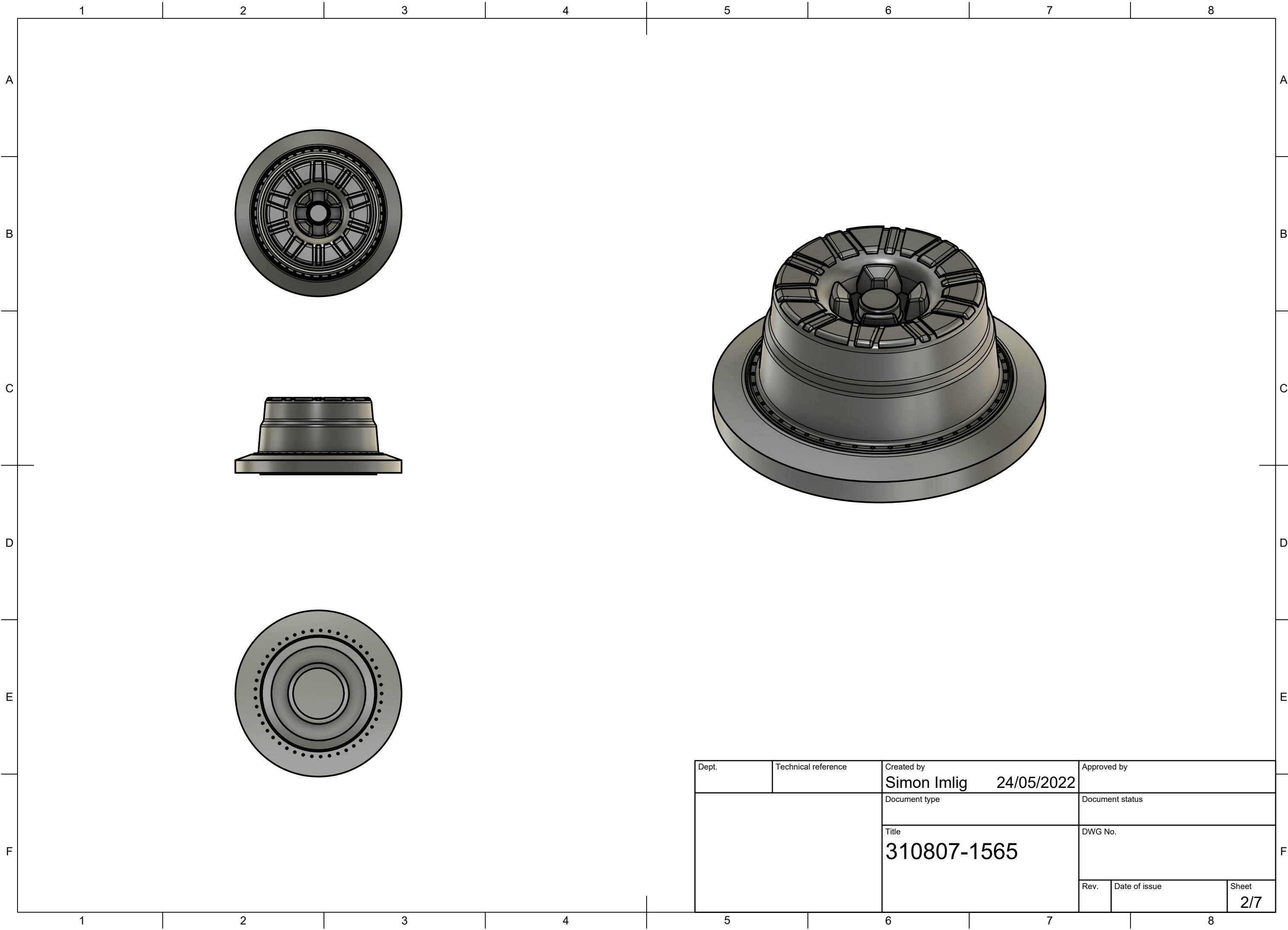
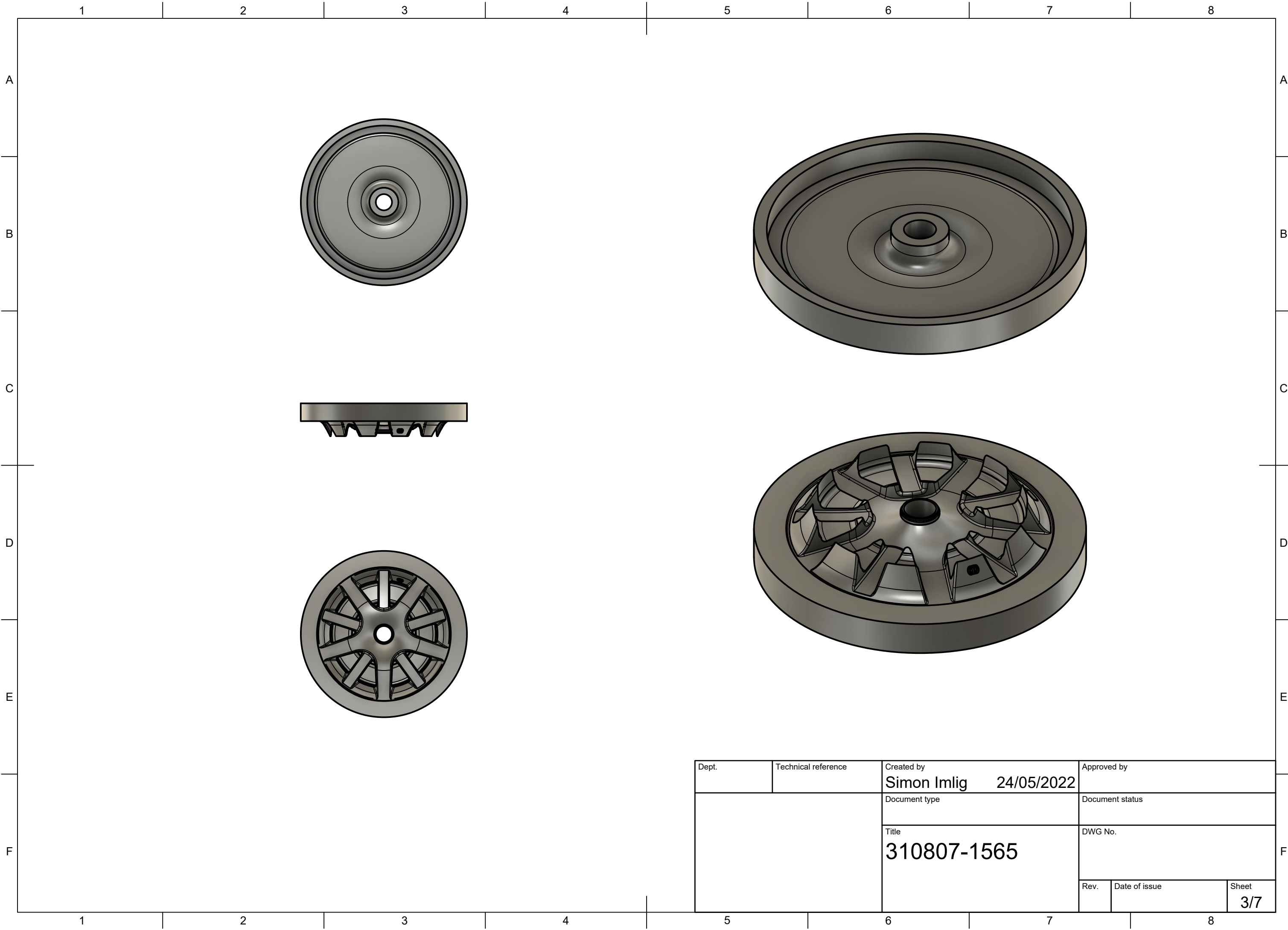


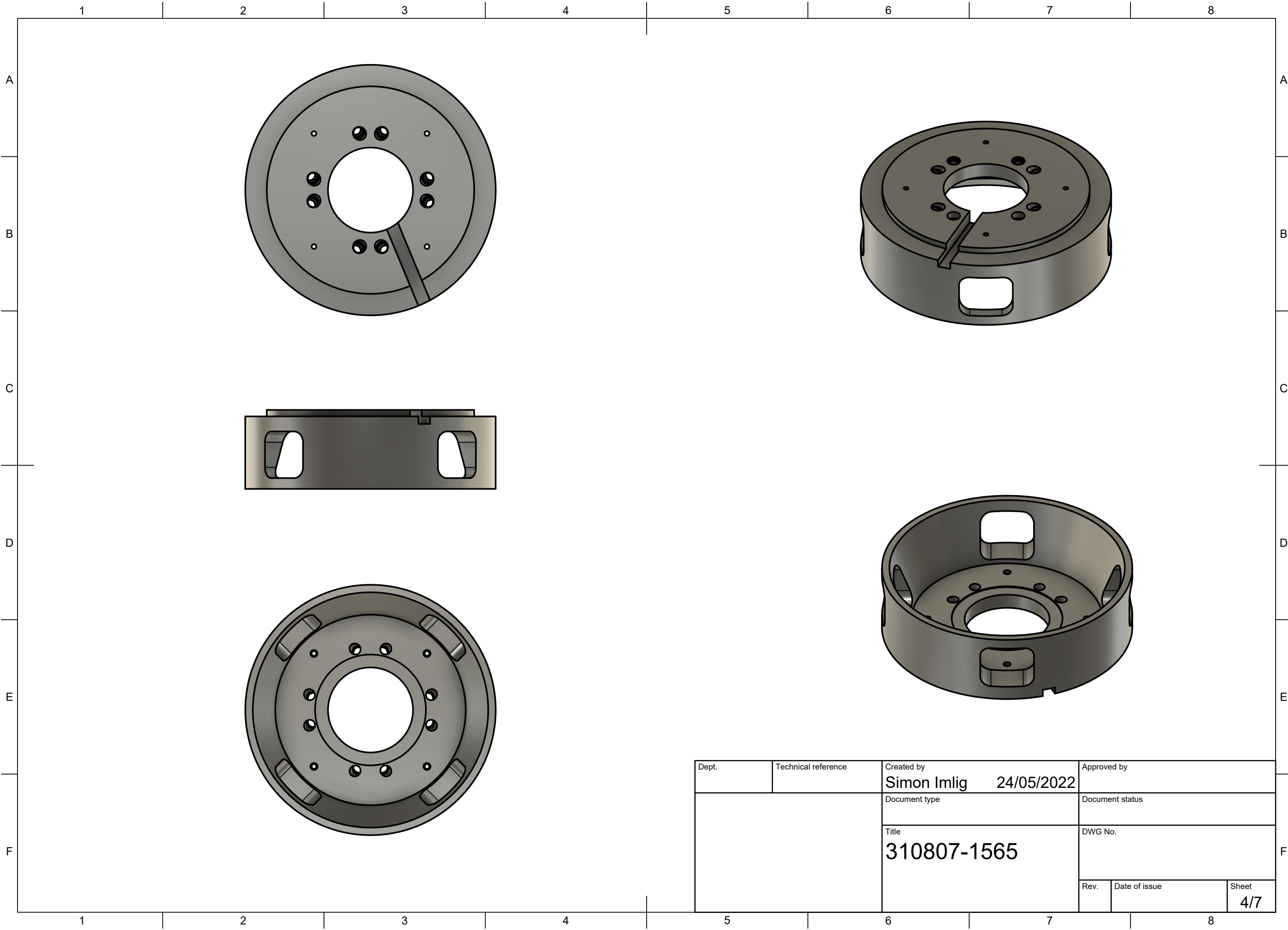
Dept.	Technical reference	Created by Simon Imlig 24/05/2022	Approved by
		Document type	Document status
		Title 310807-1565	DWG No.
		Rev.	Date of issue
		Sheet 1/7	



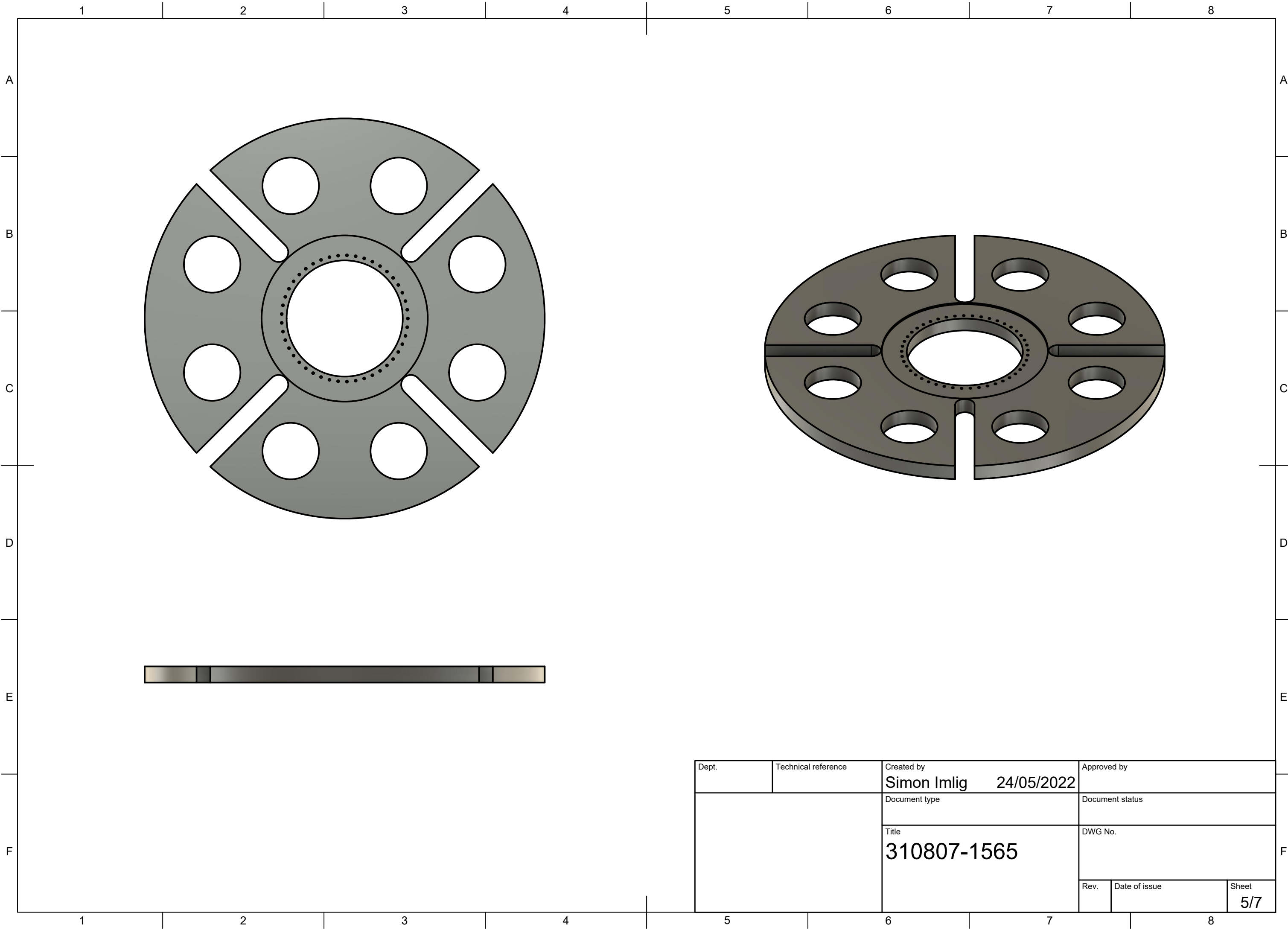
Dept.	Technical reference	Created by Simon Imlig 24/05/2022	Approved by
		Document type	Document status
		Title 310807-1565	DWG No.
		Rev.	Date of issue
		Sheet 2/7	



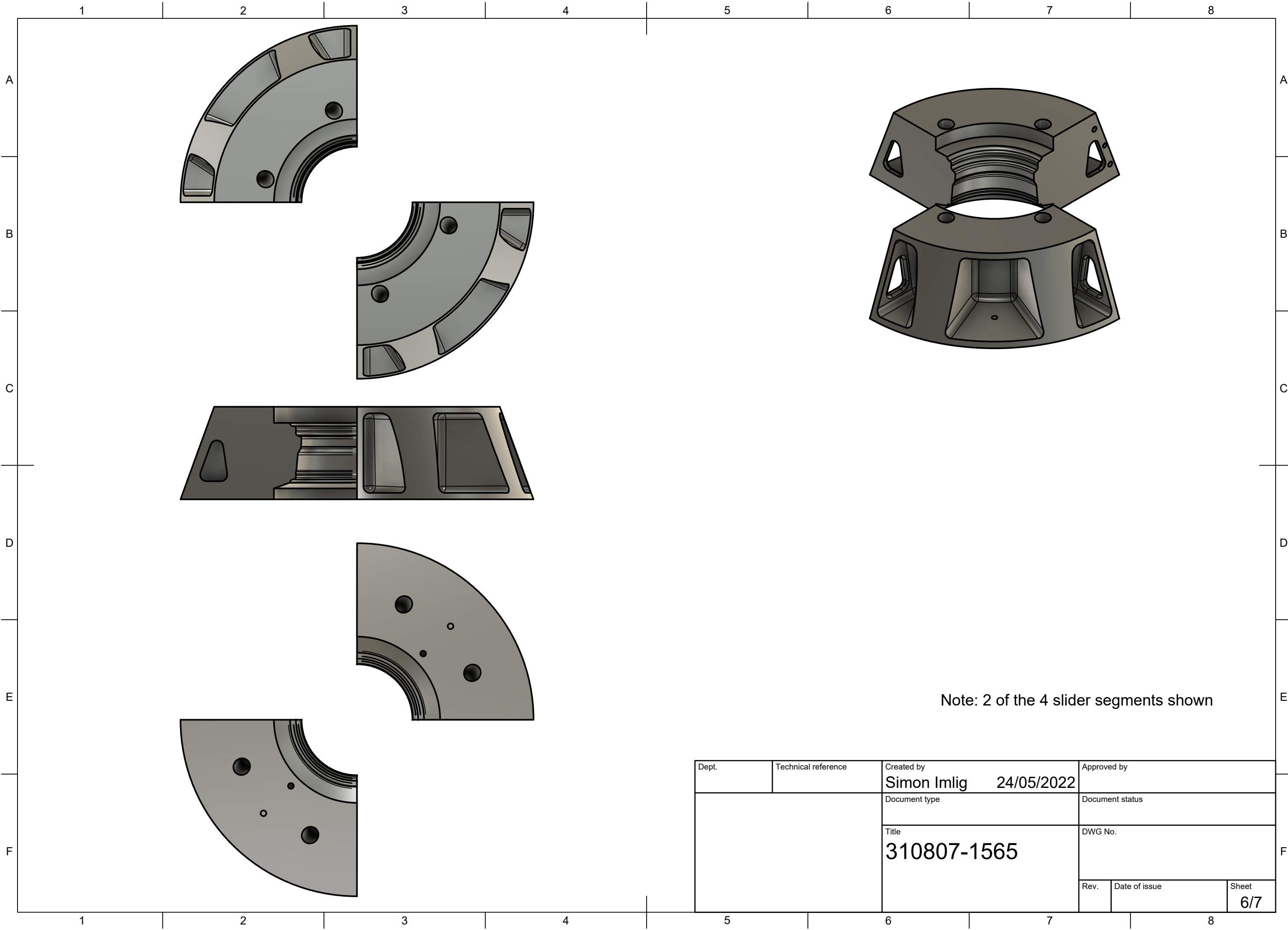
Dept.	Technical reference	Created by Simon Imlig 24/05/2022	Approved by
		Document type	Document status
		Title 310807-1565	DWG No.
		Rev.	Date of issue
		Sheet 3/7	



Dept.	Technical reference	Created by Simon Imlig 24/05/2022	Approved by
		Document type	Document status
		Title 310807-1565	DWG No.
		Rev.	Date of issue
		Sheet 4/7	



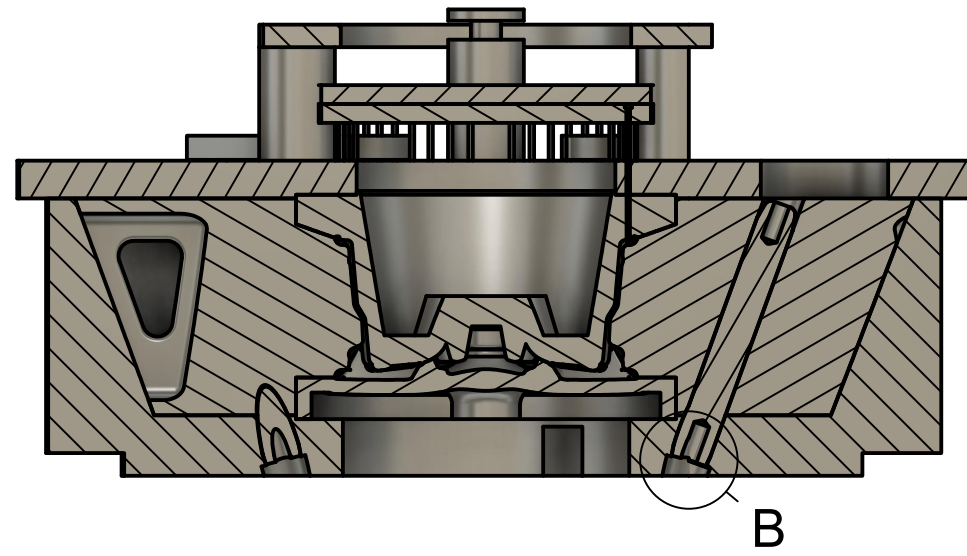
Dept.	Technical reference	Created by Simon Imlig 24/05/2022	Approved by
		Document type	Document status
		Title 310807-1565	DWG No.
		Rev.	Date of issue
		Sheet 5/7	



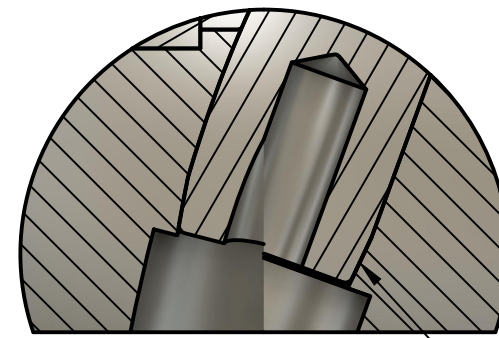
Note: 2 of the 4 slider segments shown

Dept.	Technical reference	Created by Simon Imlig 24/05/2022	Approved by
		Document type	Document status
		Title 310807-1565	DWG No.
	Rev.	Date of issue	Sheet 6/7

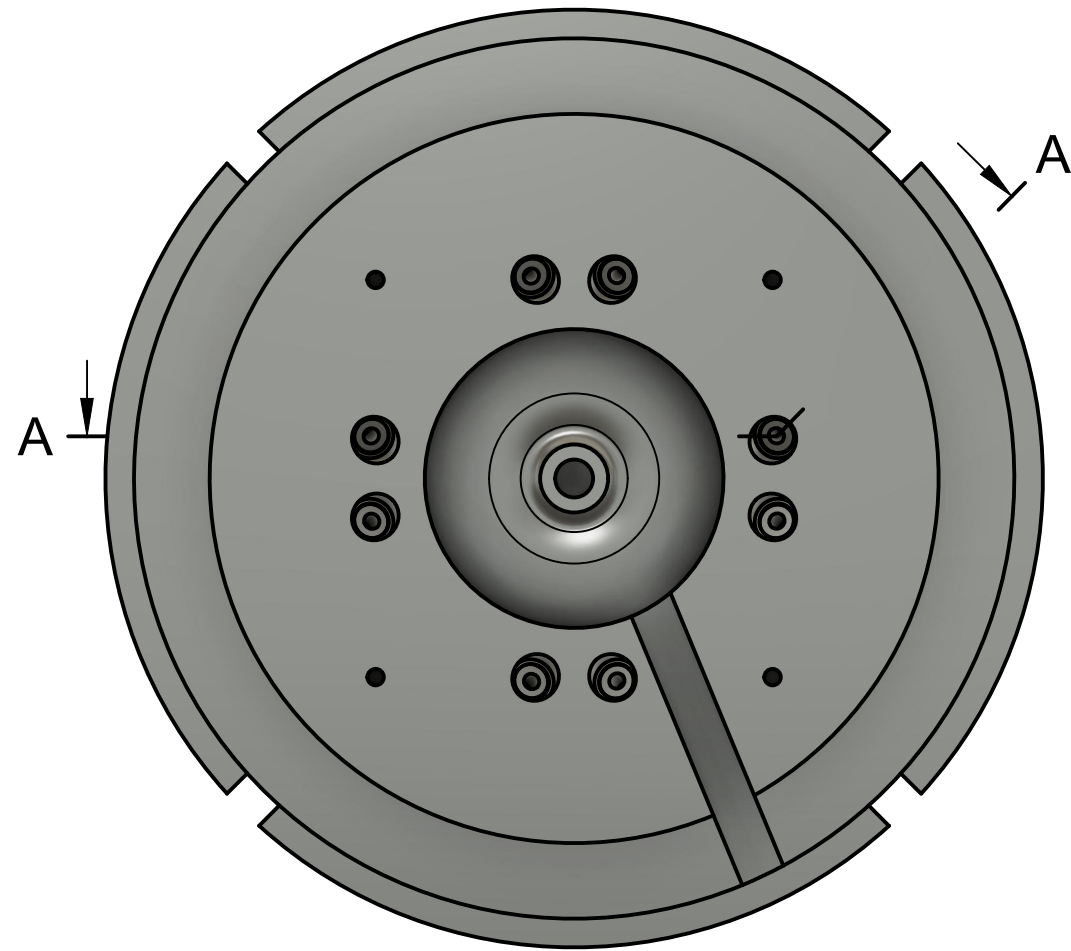
A-A (1:10)



B (1:2)



Tapered location face on the pin



Dept.	Technical reference	Created by Simon Imlig 24/05/2022	Approved by	
		Document type	Document status	
		Title 310807-1565	DWG No.	
	Rev.	Date of issue	Sheet	7/7