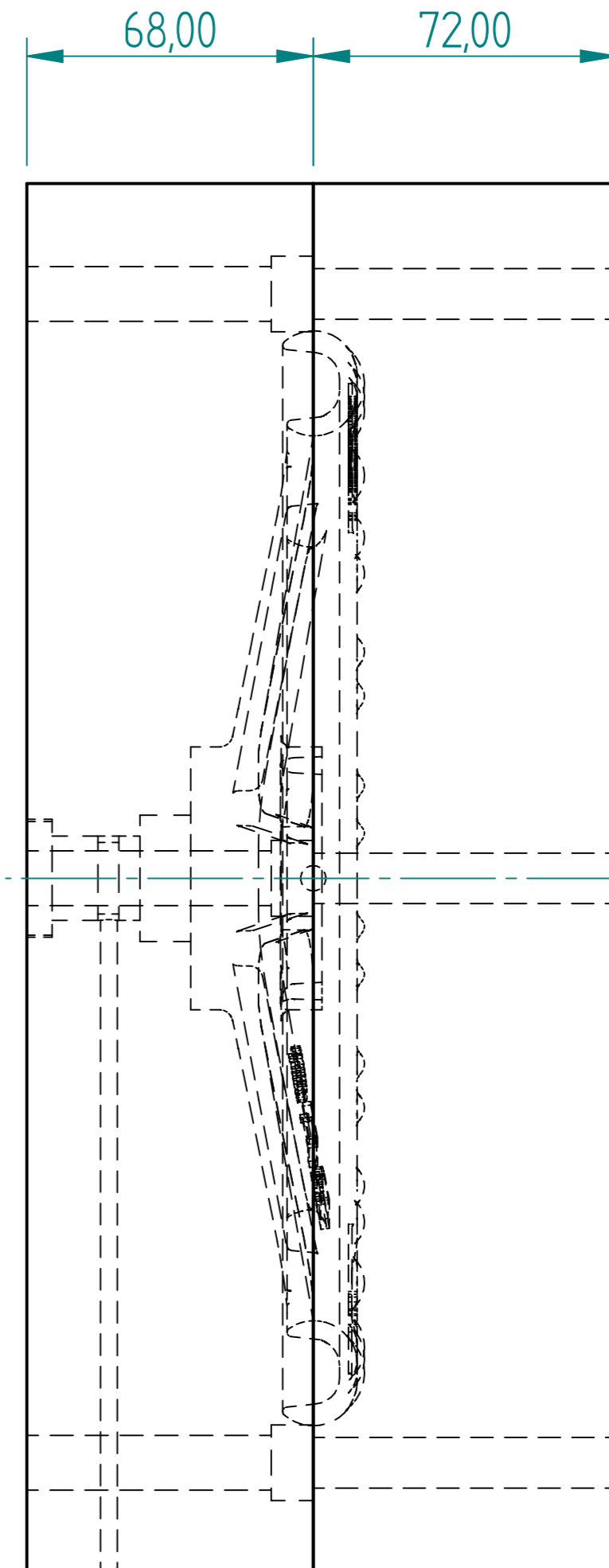
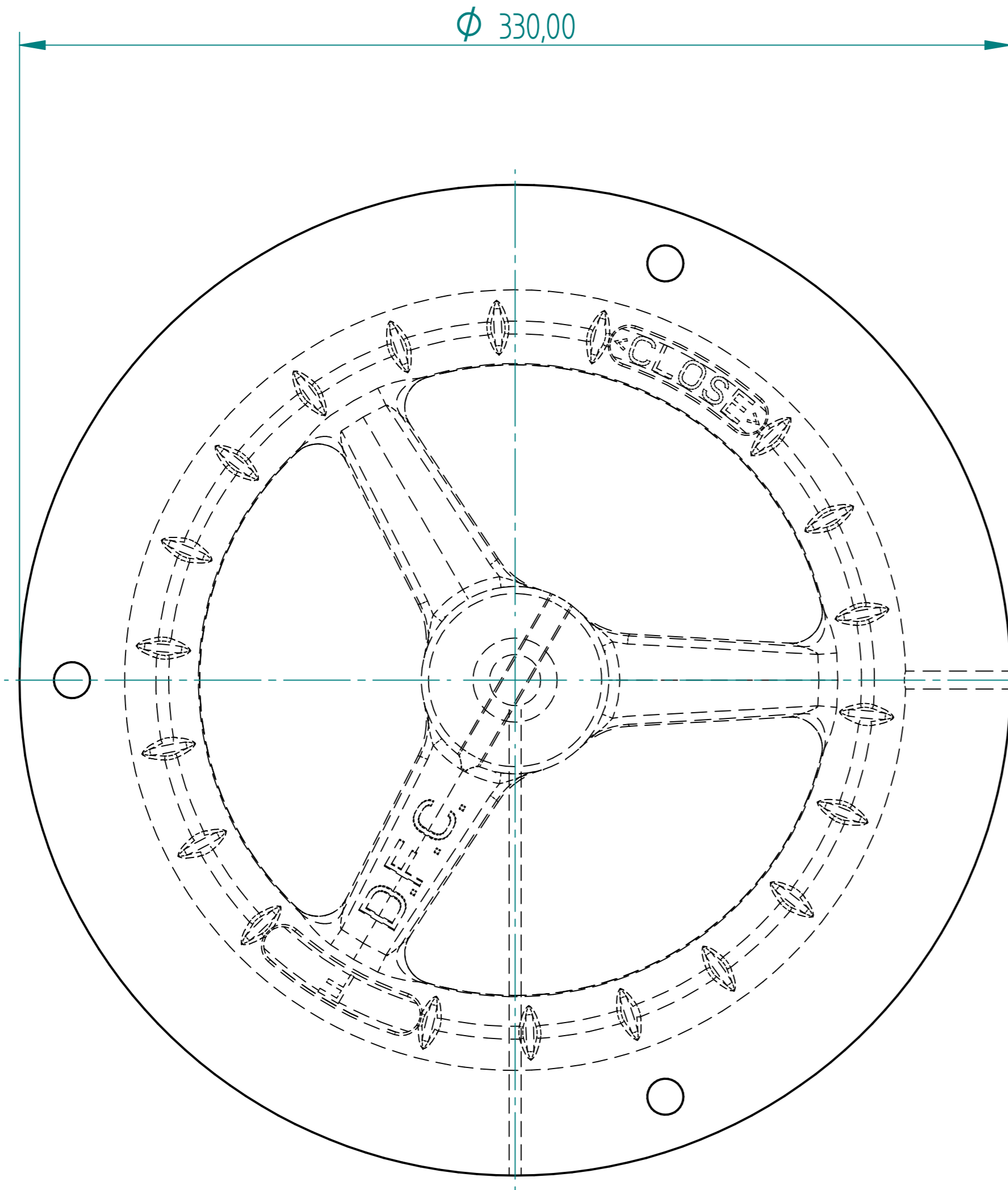


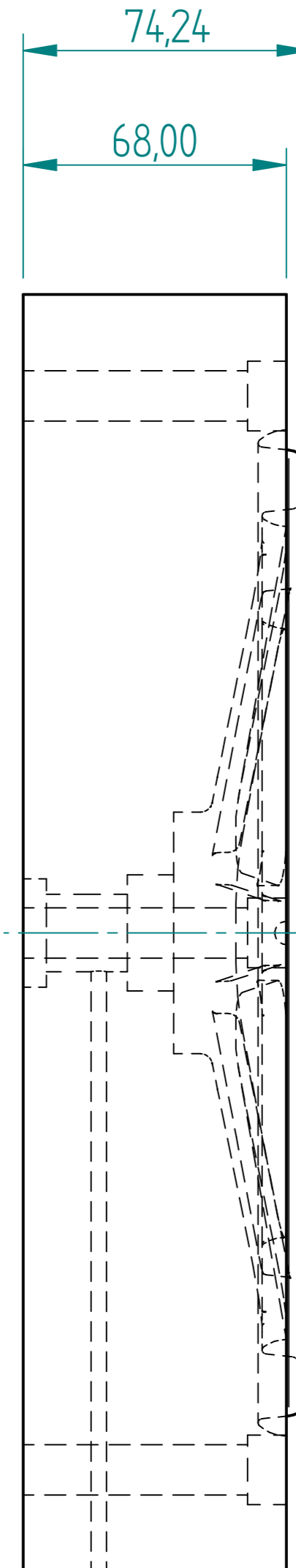
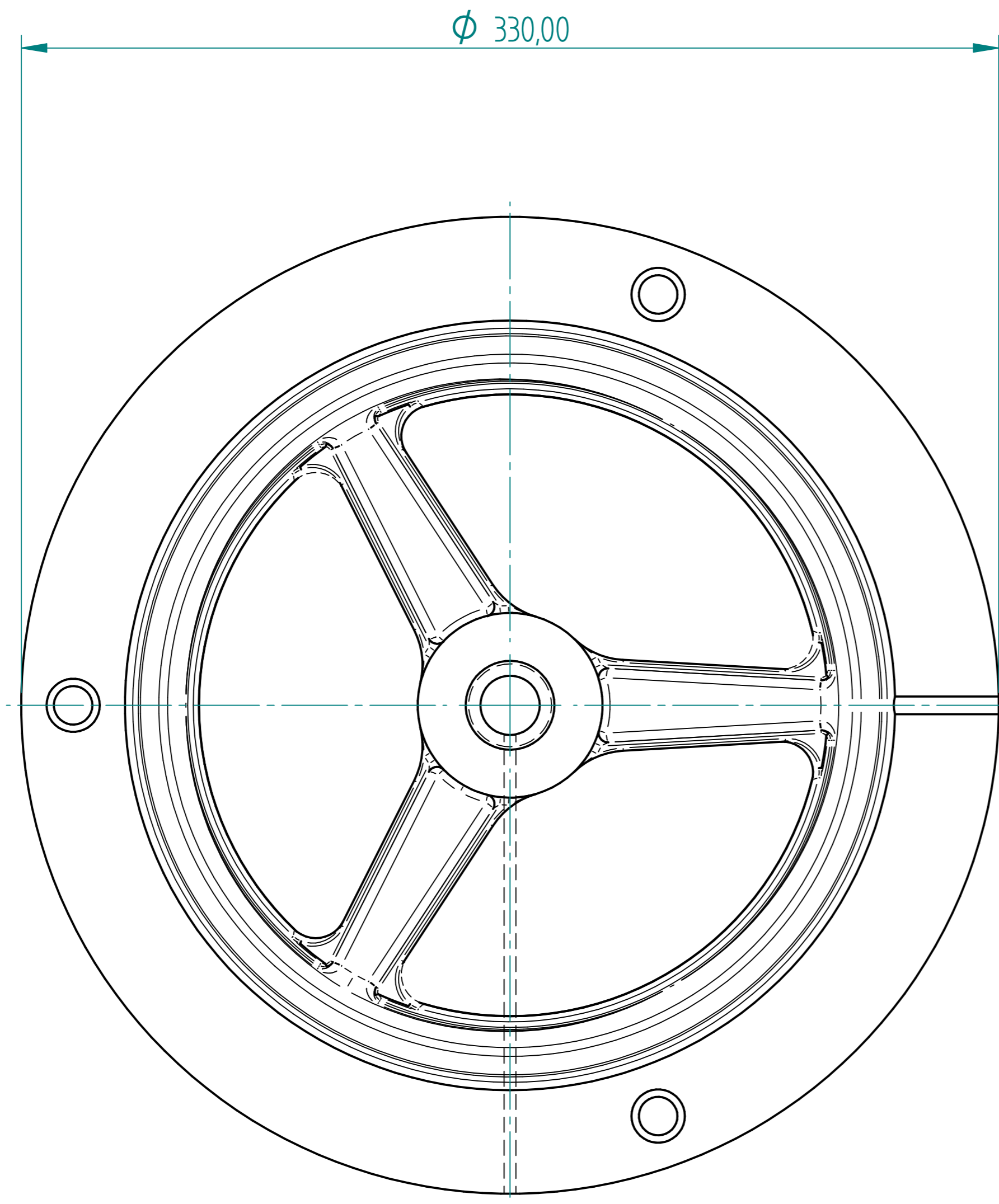
REVISION HISTORY			
REV	DESCRIPTION	DATE	APPROVED



IH250RDS Mould

DRAWN	NAME	DATE	PREMAC		
APPROVED	Dan	06/03/21			
MATERIAL					
TREATMENT					
UNLESS OTHERWISE SPECIFIED DIMENSIONS ARE IN MILLIMETERS			SIZE	DWG NO	REV
1 ST ANGLE ANGLES ±0.1°			A4		
2 PL ±0.02 3 PL ±0.005			FILE NAME: IH250RDS Mould.dft		
			SCALE:	WEIGHT:	SHEET 1 OF 4

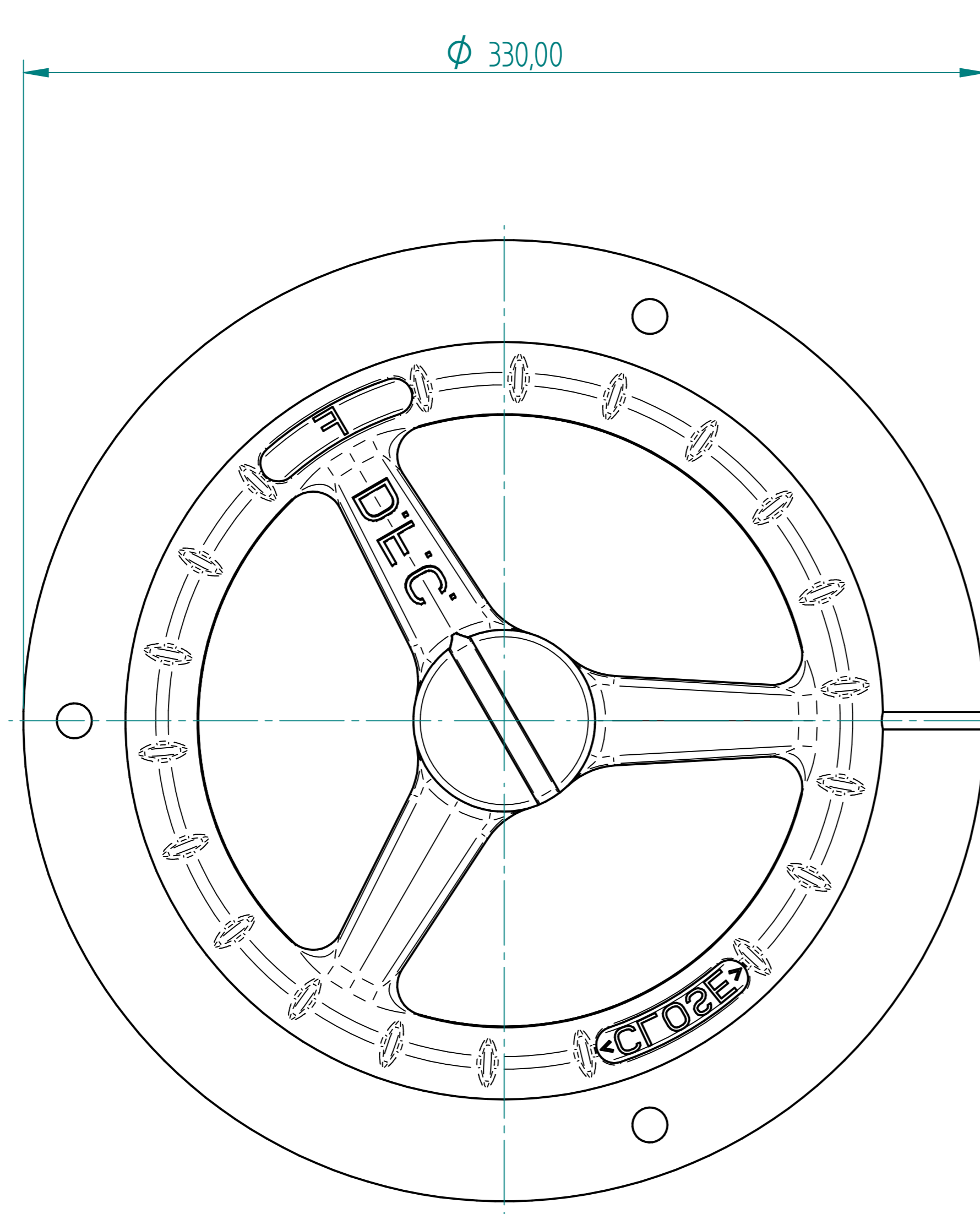
REVISION HISTORY			
REV	DESCRIPTION	DATE	APPROVED



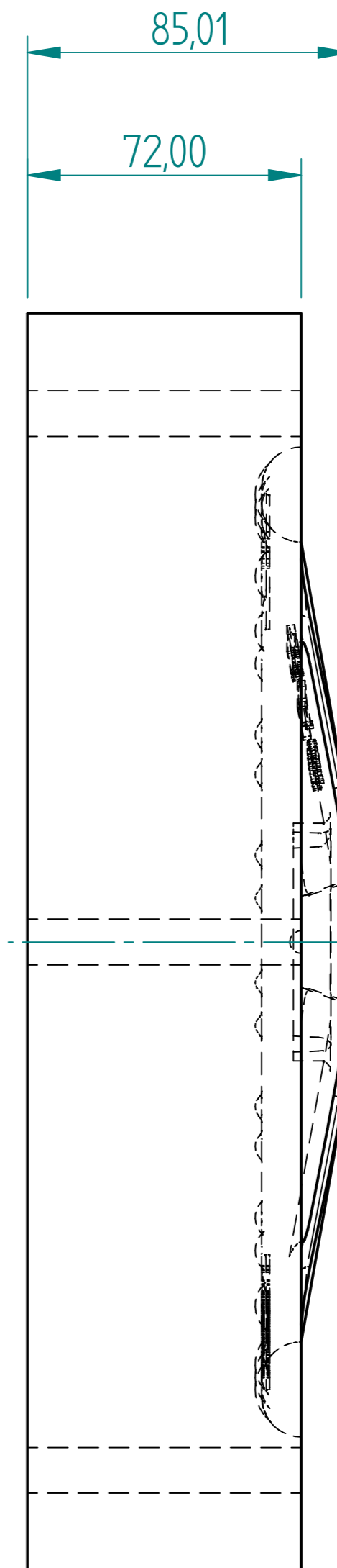
Bottom Half

	NAME	DATE	PREMAC	
DRAWN	Dan	06/03/21		
APPROVED				
MATERIAL				
TREATMENT			TITLE	
UNLESS OTHERWISE SPECIFIED DIMENSIONS ARE IN MILLIMETERS			SIZE A4	DWG NO
1 ST ANGLE ANGLES ±0.1°			FILE NAME: IH25ORDS Mould.dft	
2 PL ±0.02 3 PL ±0.005			SCALE:	WEIGHT:
			SHEET 2 OF 4	

REVISION HISTORY			
REV	DESCRIPTION	DATE	APPROVED

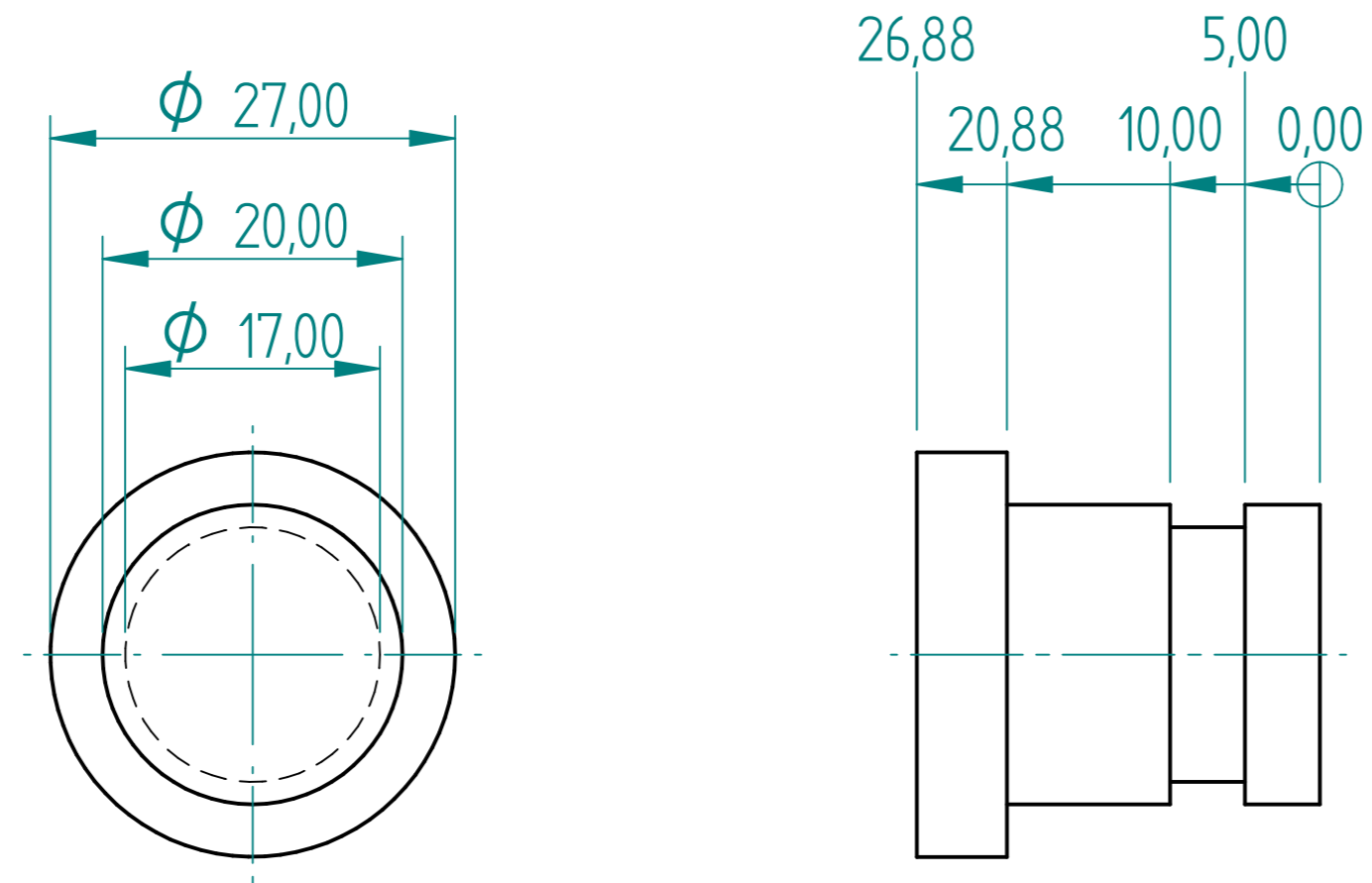


Top Half



	NAME	DATE	PREMAC	
DRAWN	Dan	06/03/21		
APPROVED				
MATERIAL				
TREATMENT			TITLE	
UNLESS OTHERWISE SPECIFIED DIMENSIONS ARE IN MILLIMETERS			SIZE A4	DWG NO
1 ST ANGLE ANGLES ±0.1°			FILE NAME: IH25ORDS Mould.dft	REV
2 PL ±0.02 3 PL ±0.005			SCALE:	WEIGHT:
			SHEET 3 OF 4	

REVISION HISTORY			
REV	DESCRIPTION	DATE	APPROVED



Core Pin

	NAME	DATE	PREMAC	
DRAWN	Dan	06/03/21		
APPROVED				
MATERIAL				
TREATMENT			TITLE	
UNLESS OTHERWISE SPECIFIED DIMENSIONS ARE IN MILLIMETERS			SIZE A4	DWG NO
1 ST ANGLE ANGLES ±0.1°			FILE NAME: IH25ORDS Mould.dft	
2 PL ±0.02 3 PL ±0.005			SCALE:	WEIGHT:
			SHEET 4 OF 4	