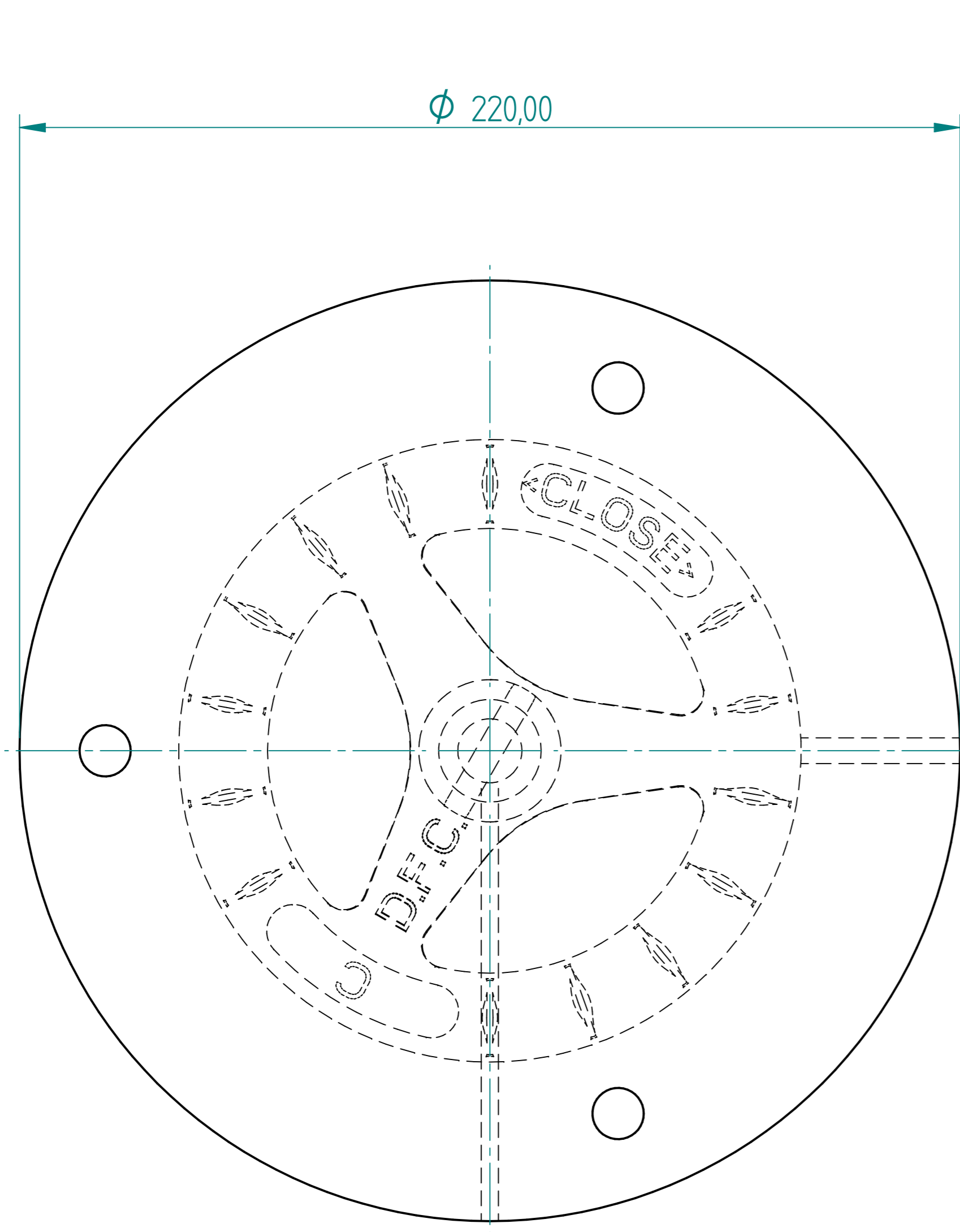
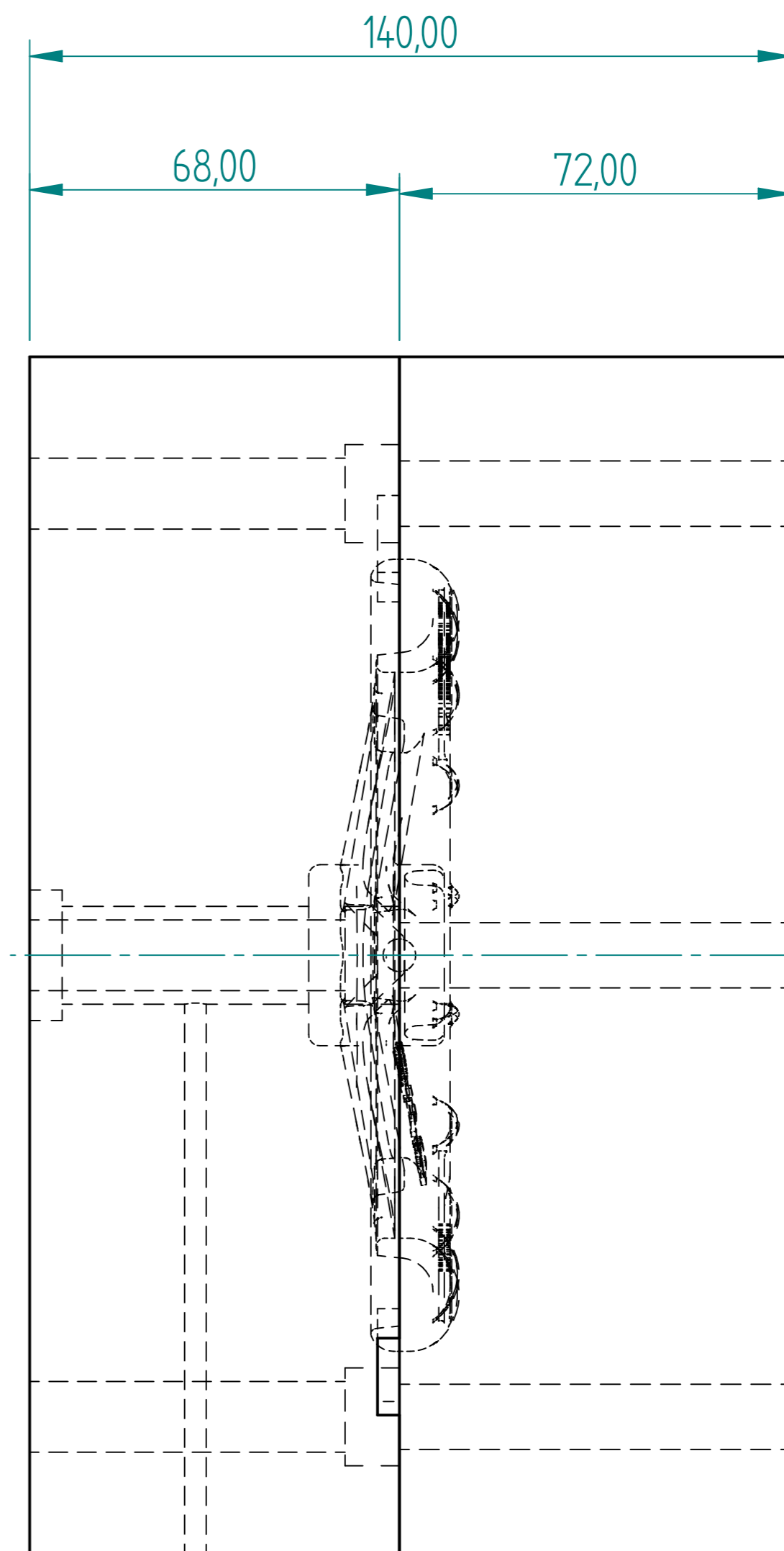


REVISION HISTORY			
REV	DESCRIPTION	DATE	APPROVED

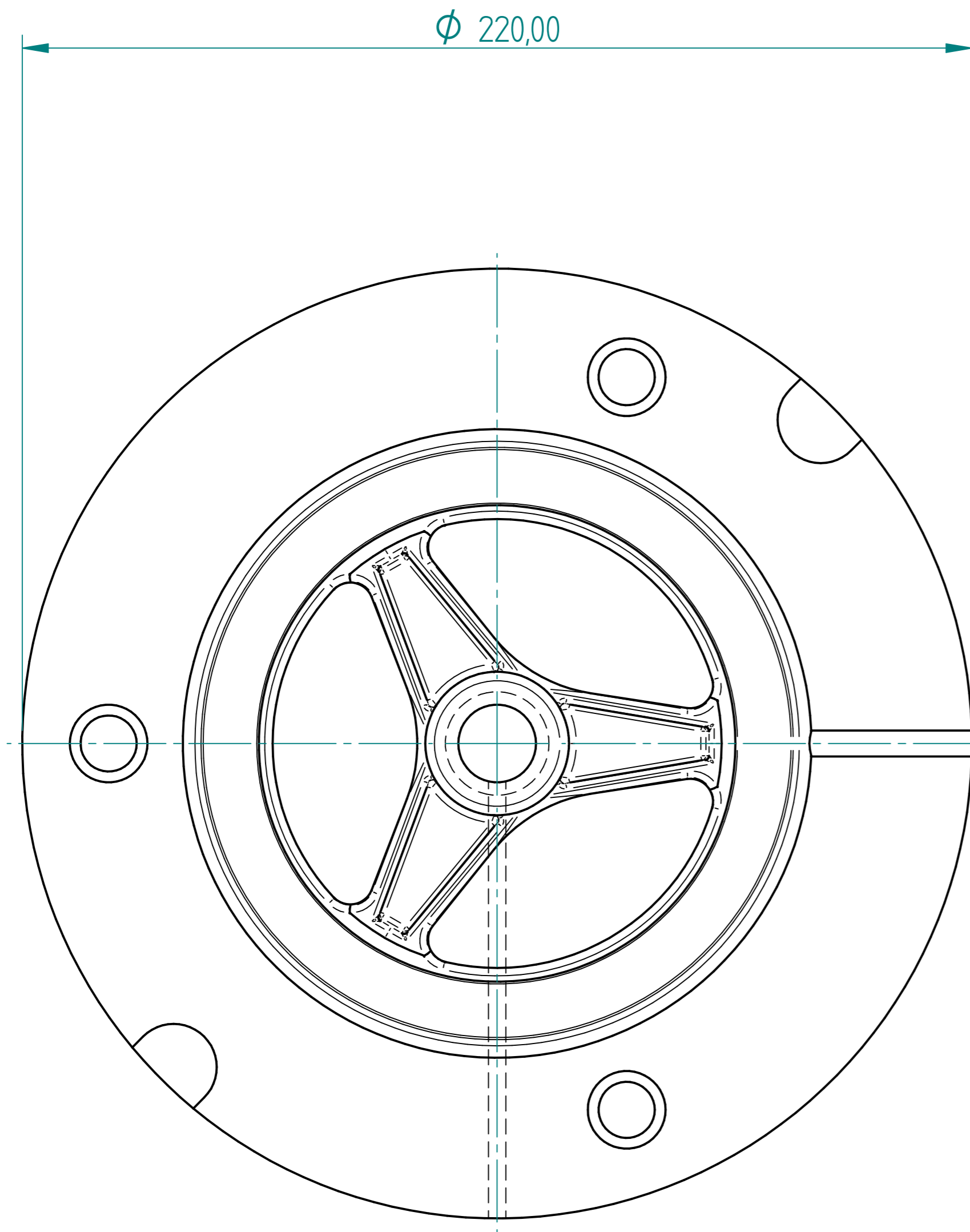


IH140RDS Mould

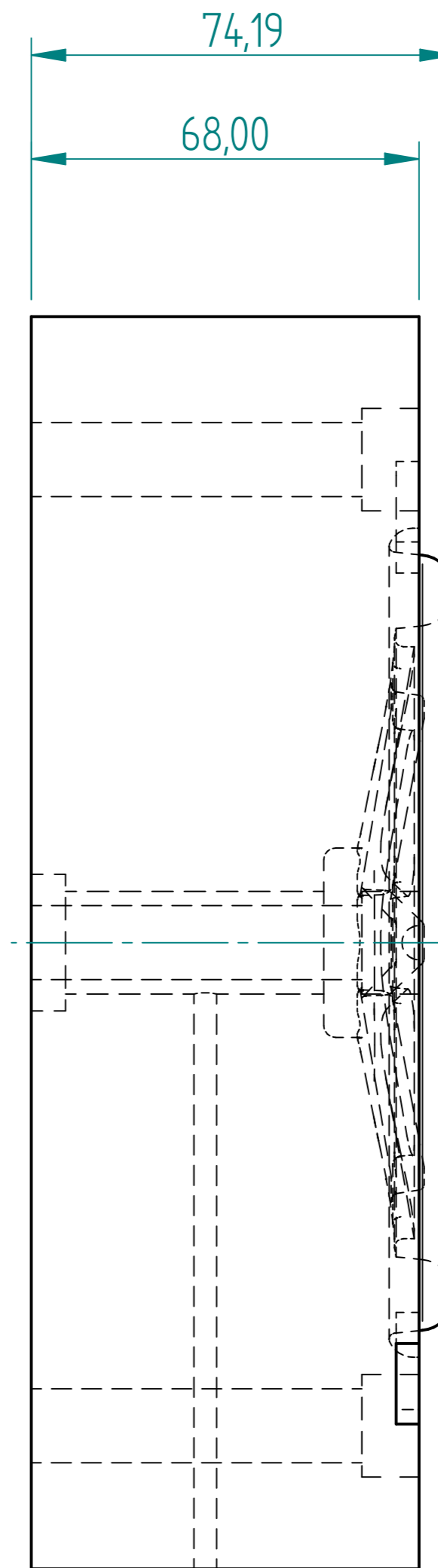


	NAME	DATE	PREMAC	
DRAWN	Dan	06/03/21		
APPROVED				
MATERIAL				
TREATMENT			TITLE	IH140RDS Mould
UNLESS OTHERWISE SPECIFIED DIMENSIONS ARE IN MILLIMETERS			SIZE	DWG NO
1 ST ANGLE ANGLES ±0.1°			A4	
2 PL ±0.02 3 PL ±0.005			FILE NAME: IH140RDS Mould.dft	REV
			SCALE:	WEIGHT:
			SHEET 1 OF 4	

REVISION HISTORY			
REV	DESCRIPTION	DATE	APPROVED

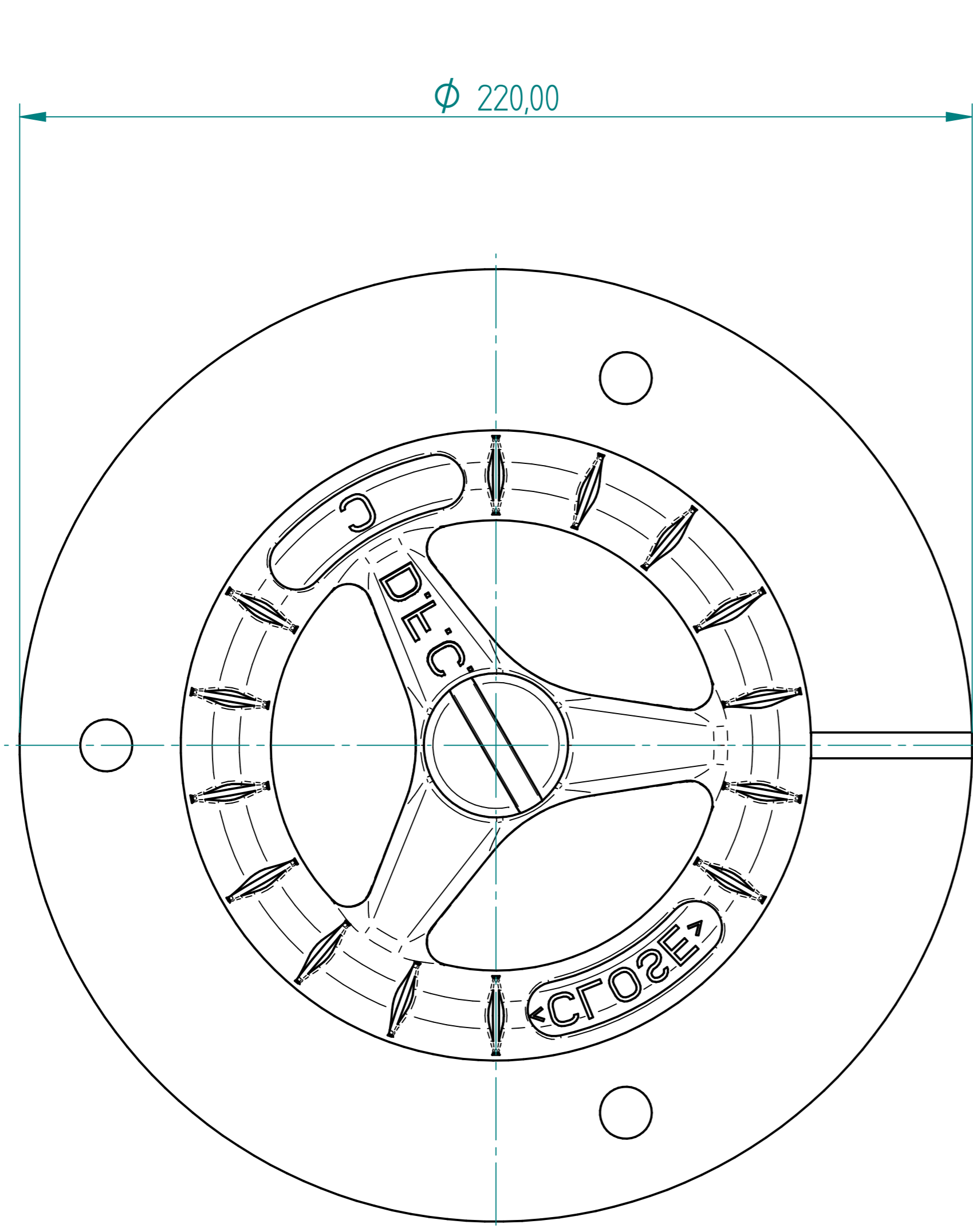


Bottom Half

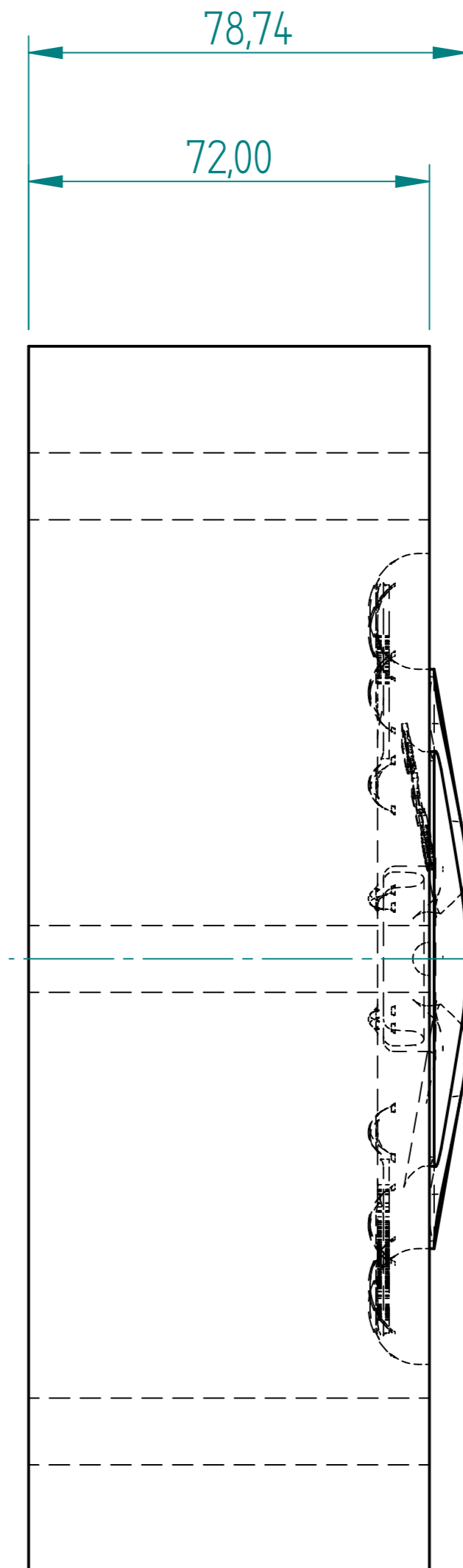


DRAWN	NAME	DATE	PREMAC	
APPROVED	Dan	06/03/21		
MATERIAL				
TREATMENT				
UNLESS OTHERWISE SPECIFIED DIMENSIONS ARE IN MILLIMETERS ANGLES ±0.1° 1 ST ANGLE			SIZE A4	DWG NO
2 PL ±0.02 3 PL ±0.005			FILE NAME: IH14ORDS Mould.dft	REV
SCALE:		WEIGHT:	SHEET 2 OF 4	

REVISION HISTORY			
REV	DESCRIPTION	DATE	APPROVED

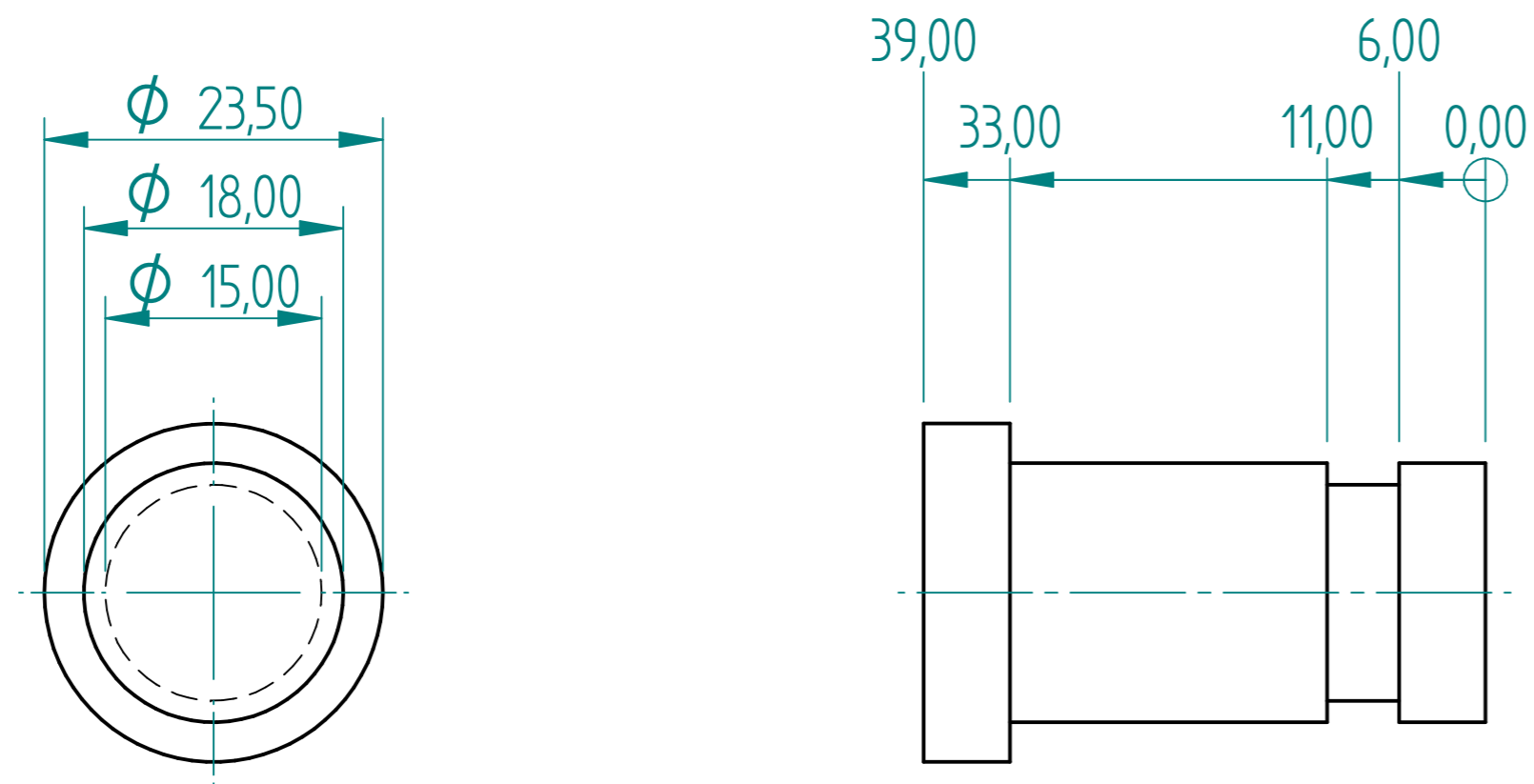


Top Half



DRAWN	NAME	DATE	PREMAC		
APPROVED	Dan	06/03/21			
MATERIAL					
TREATMENT					
UNLESS OTHERWISE SPECIFIED DIMENSIONS ARE IN MILLIMETERS ANGLES ±0.1°			SIZE A4	DWG NO	REV
1st ANGLE 2 PL ±0.02 3 PL ±0.005			FILE NAME: IH14ORDS Mould.dft	SCALE:	WEIGHT:
			SHEET 3 OF 4		

REVISION HISTORY			
REV	DESCRIPTION	DATE	APPROVED



Core Pin

	NAME	DATE	PREMAC	
DRAWN	Dan	06/03/21		
APPROVED				
MATERIAL				
TREATMENT			TITLE IH140RDS Mould	
UNLESS OTHERWISE SPECIFIED DIMENSIONS ARE IN MILLIMETERS			SIZE A4	DWG NO
1 ST ANGLE ANGLES ±0.1°			FILE NAME: IH140RDS Mould.dft	
2 PL ±0.02 3 PL ±0.005			SCALE:	WEIGHT:
			SHEET 4 OF 4	