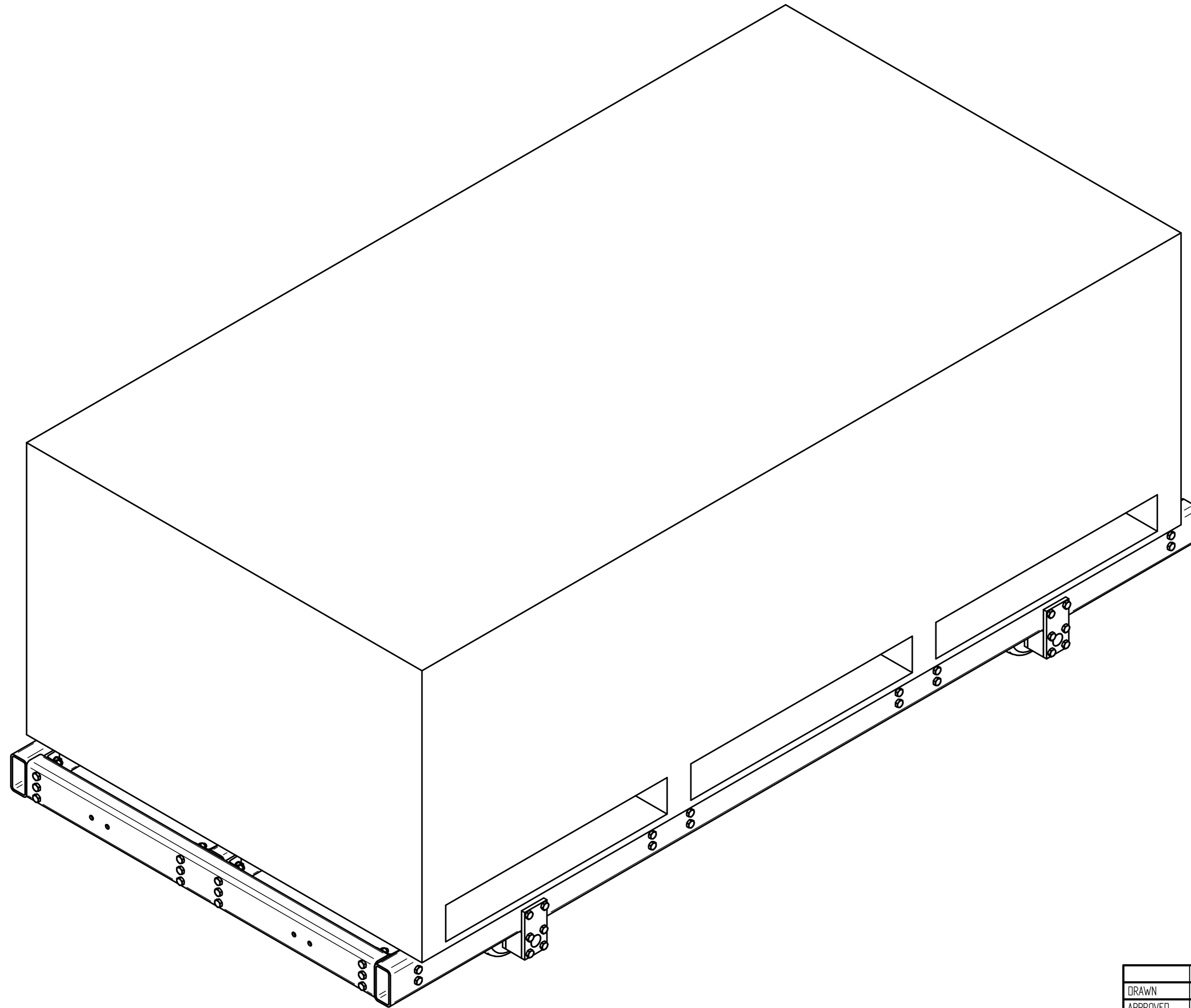

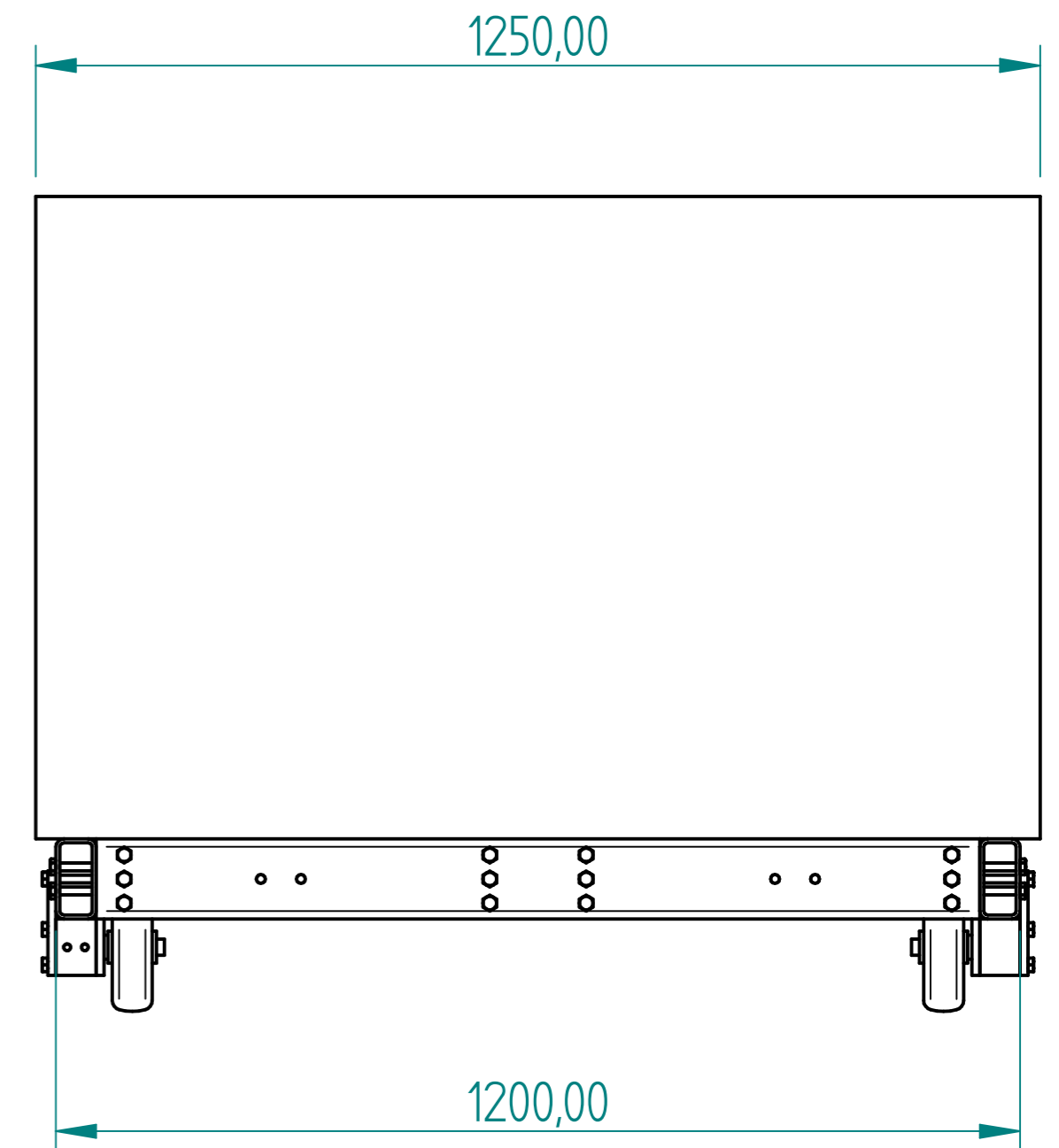
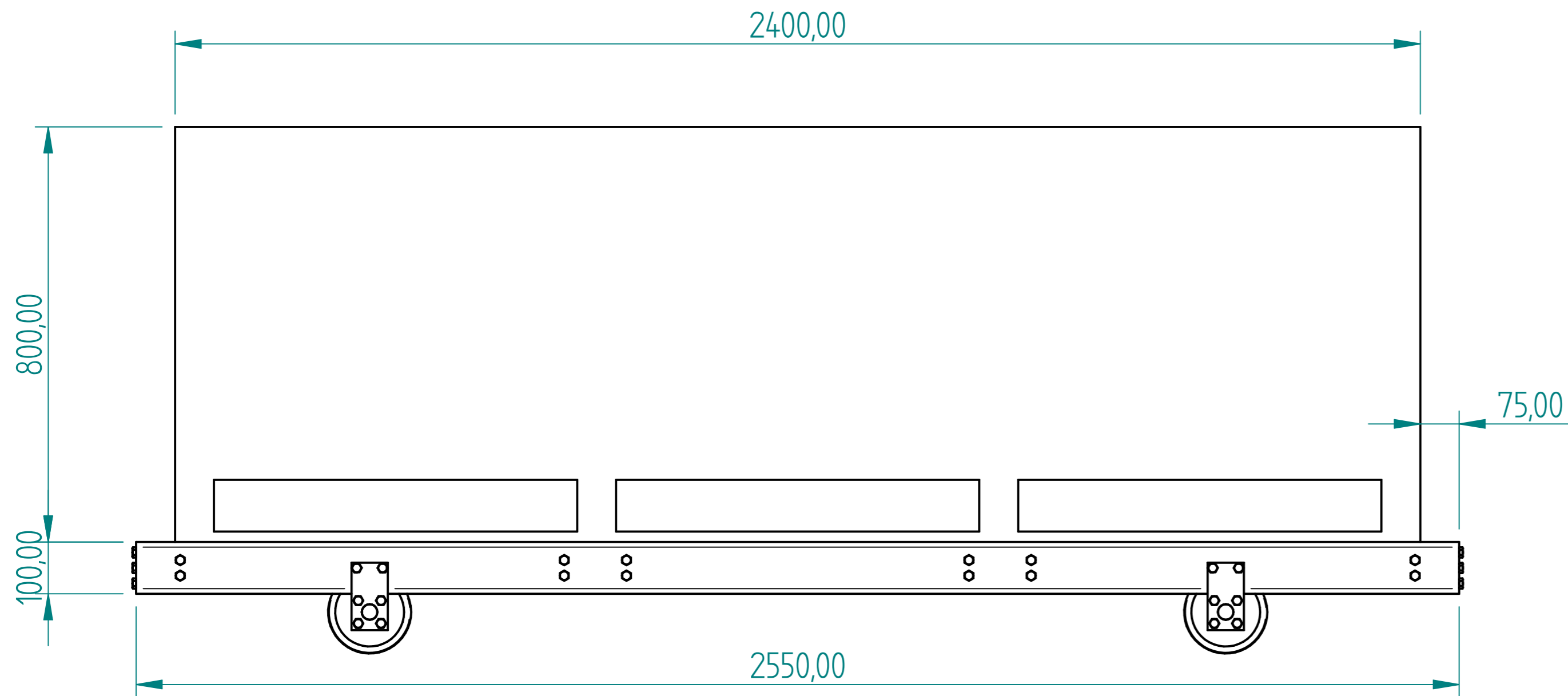


REVISION HISTORY			
REV	DESCRIPTION	DATE	APPROVED



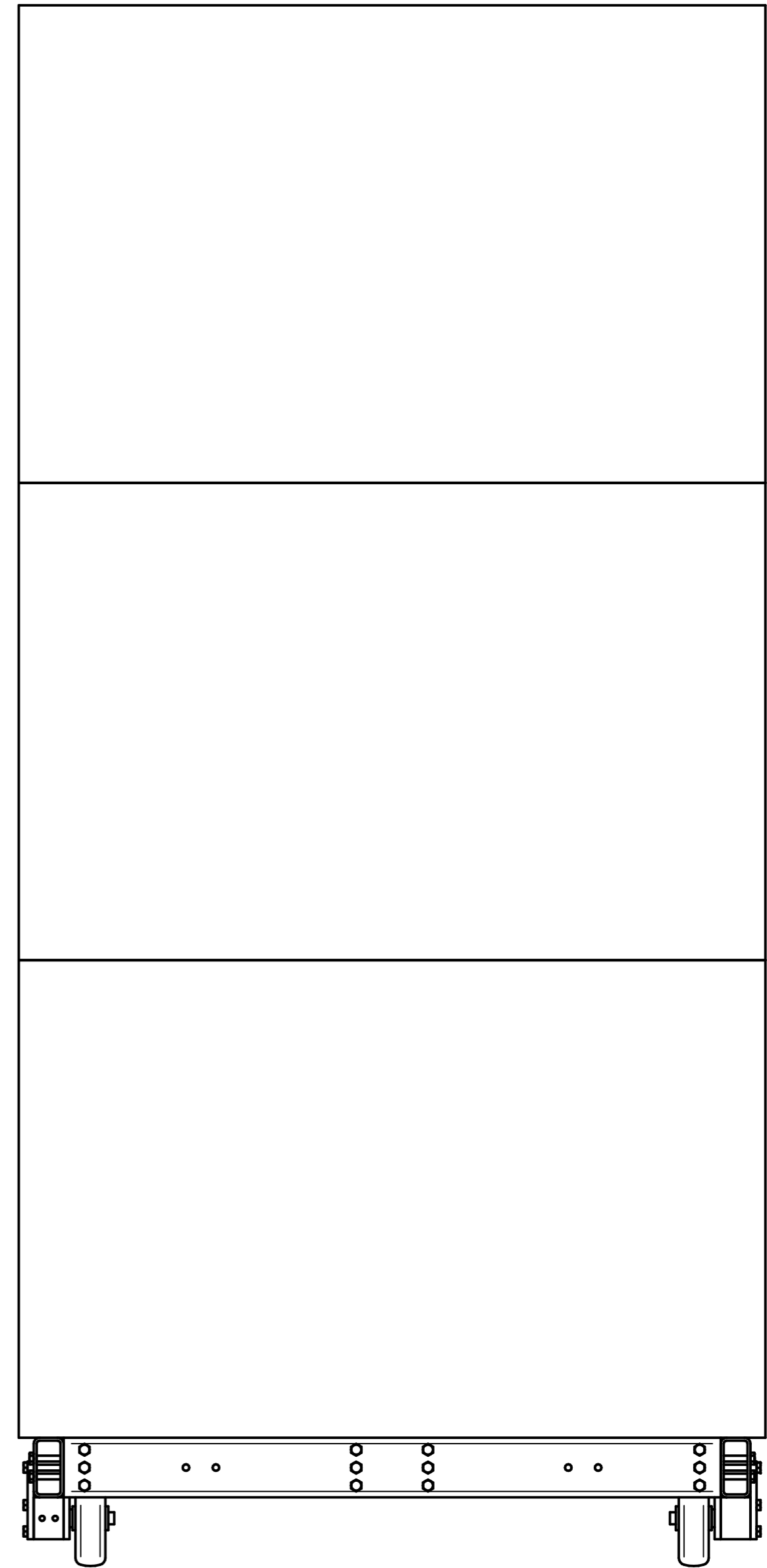
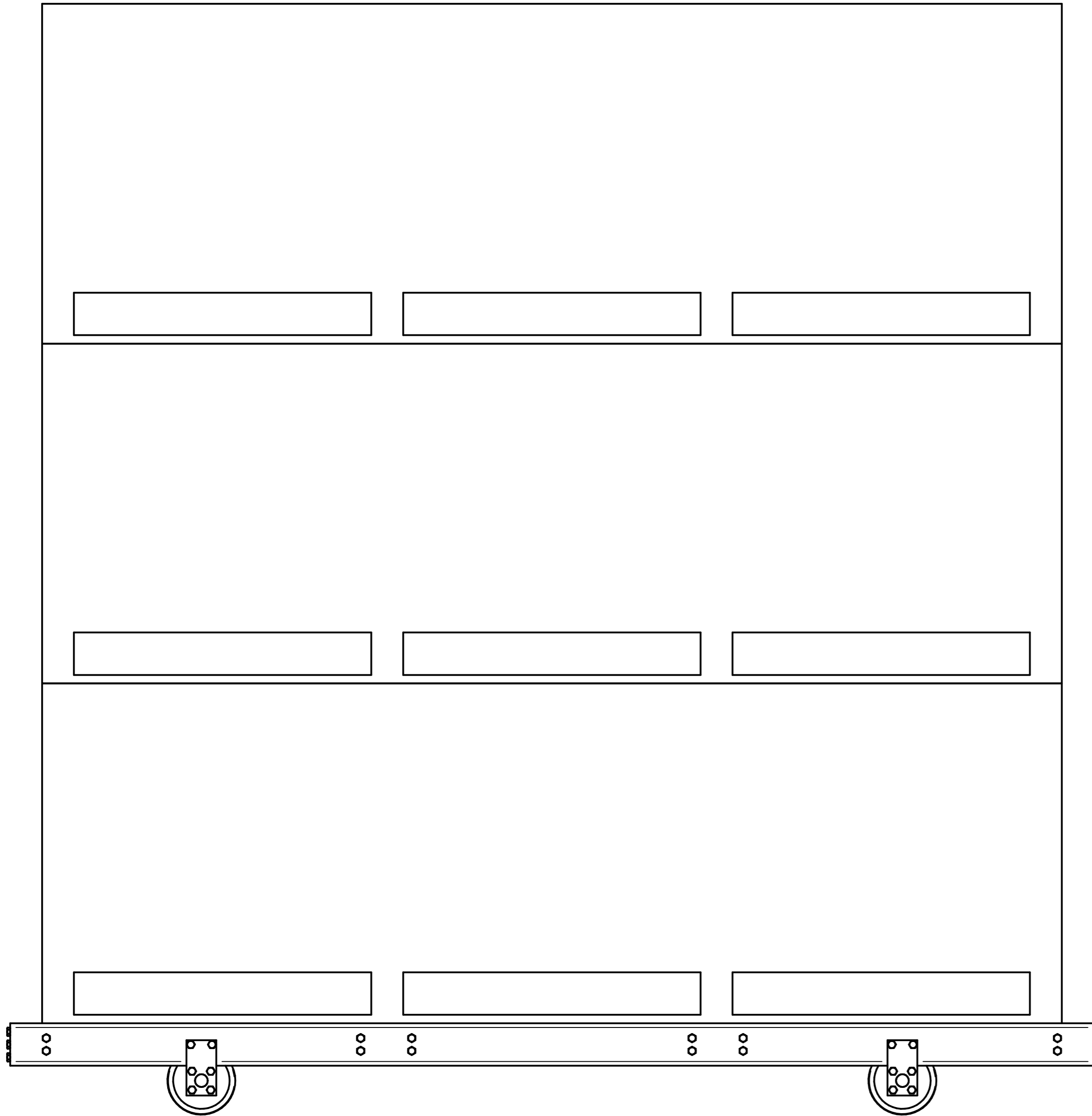
	NAME	DATE	<b>PREMAC</b>	
DRAWN	Dan	01/23/23		
APPROVED				
MATERIAL				
TREATMENT			TITLE	
UNLESS OTHERWISE SPECIFIED DIMENSIONS ARE IN MILLIMETERS			SIZE A4	DWG NO
1 <sup>ST</sup> ANGLE  2 PL ±0.02 3 PL ±0.005			FILE NAME: Trolley.dft	REV
			SCALE:	WEIGHT:
			SHEET 1 OF 8	

REVISION HISTORY			
REV	DESCRIPTION	DATE	APPROVED



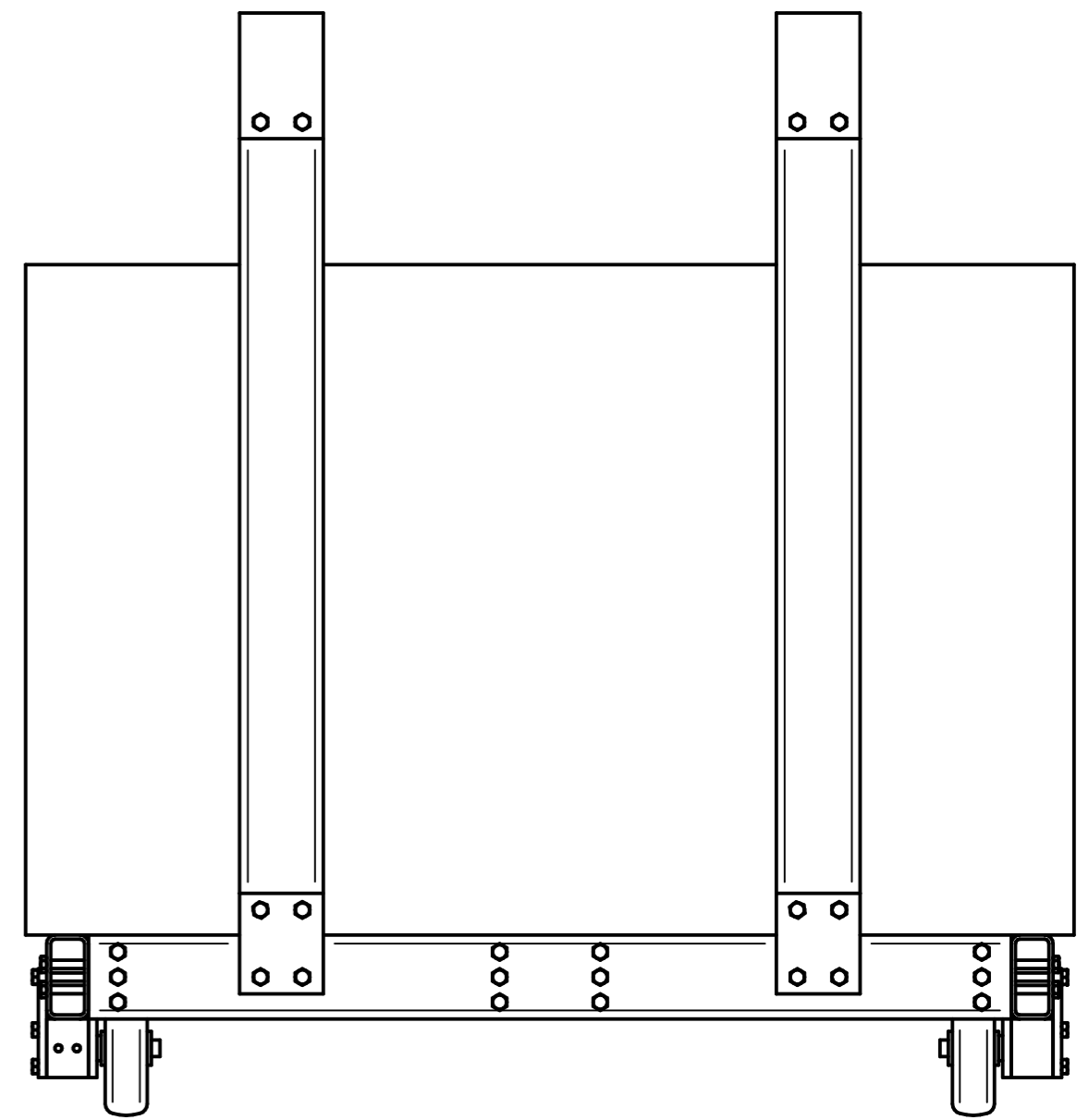
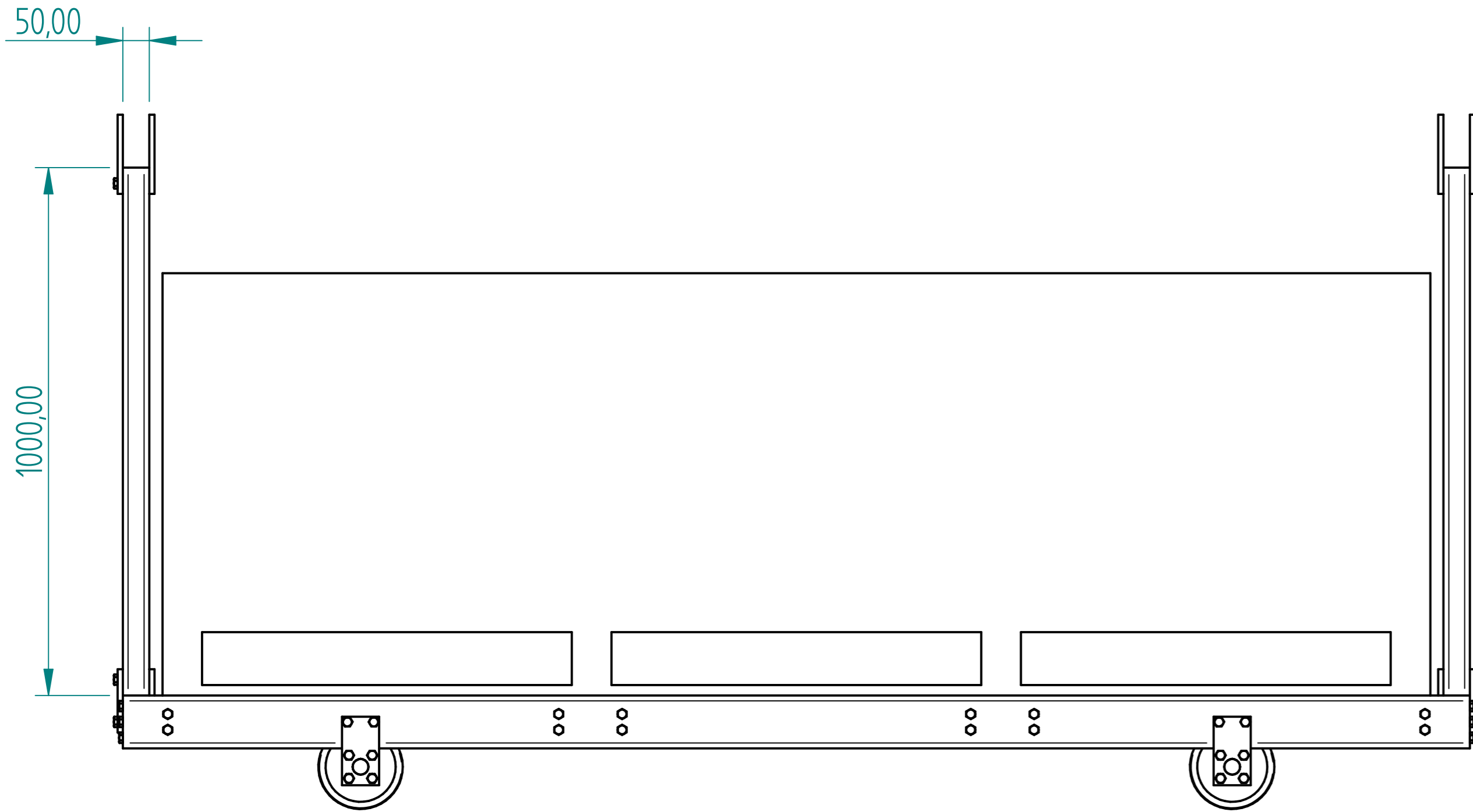
	NAME	DATE	<b>PREMAC</b>	
DRAWN	Dan	01/23/23		
APPROVED				
MATERIAL				
TREATMENT			TITLE	
UNLESS OTHERWISE SPECIFIED DIMENSIONS ARE IN MILLIMETERS			SIZE A4	DWG NO
1st ANGLE ANGLES ±0.1°			FILE NAME: Trolley.dft	
2 PL ±0.02 3 PL ±0.005			SCALE:	WEIGHT:
			SHEET 2 OF 8	

REVISION HISTORY			
REV	DESCRIPTION	DATE	APPROVED



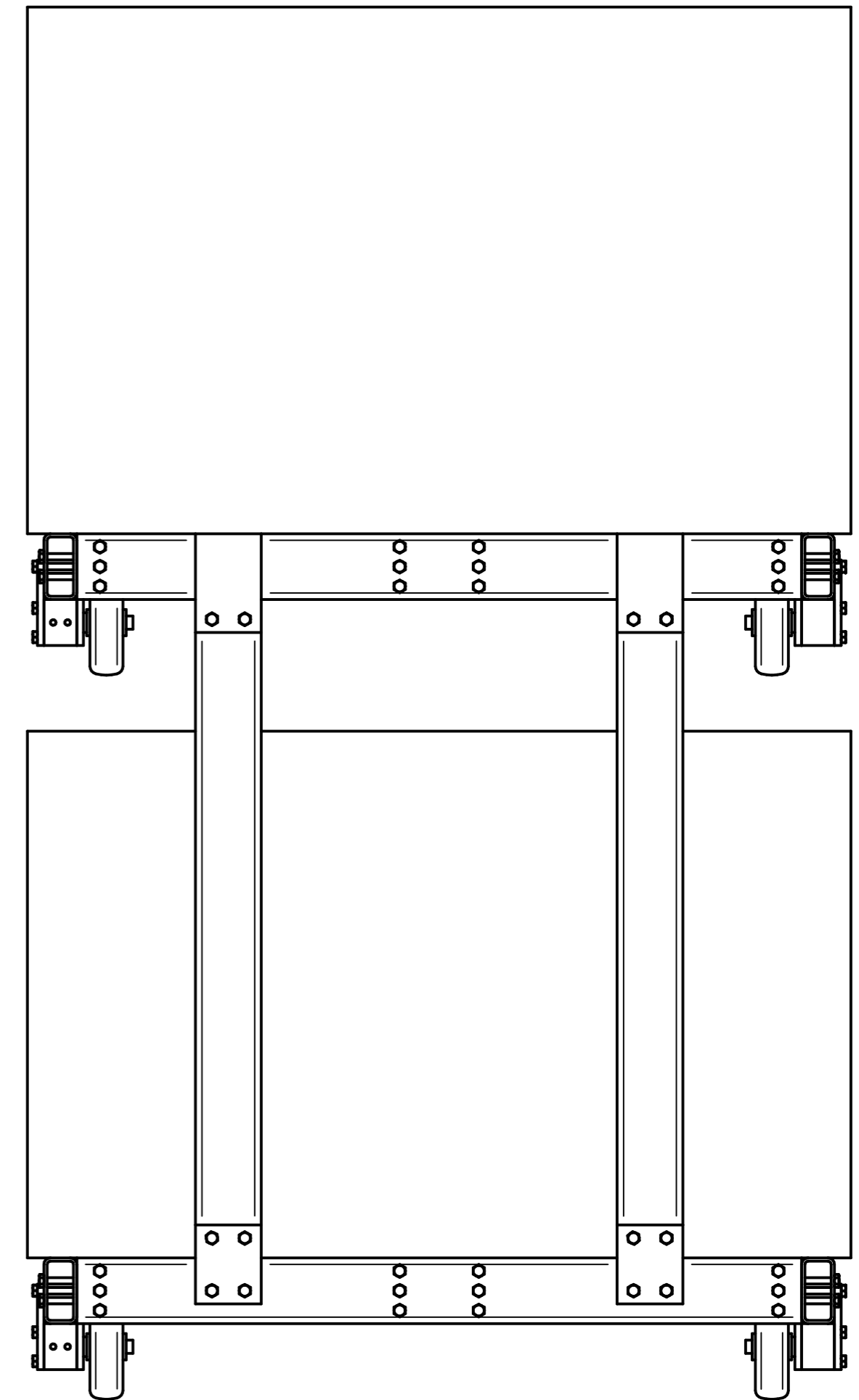
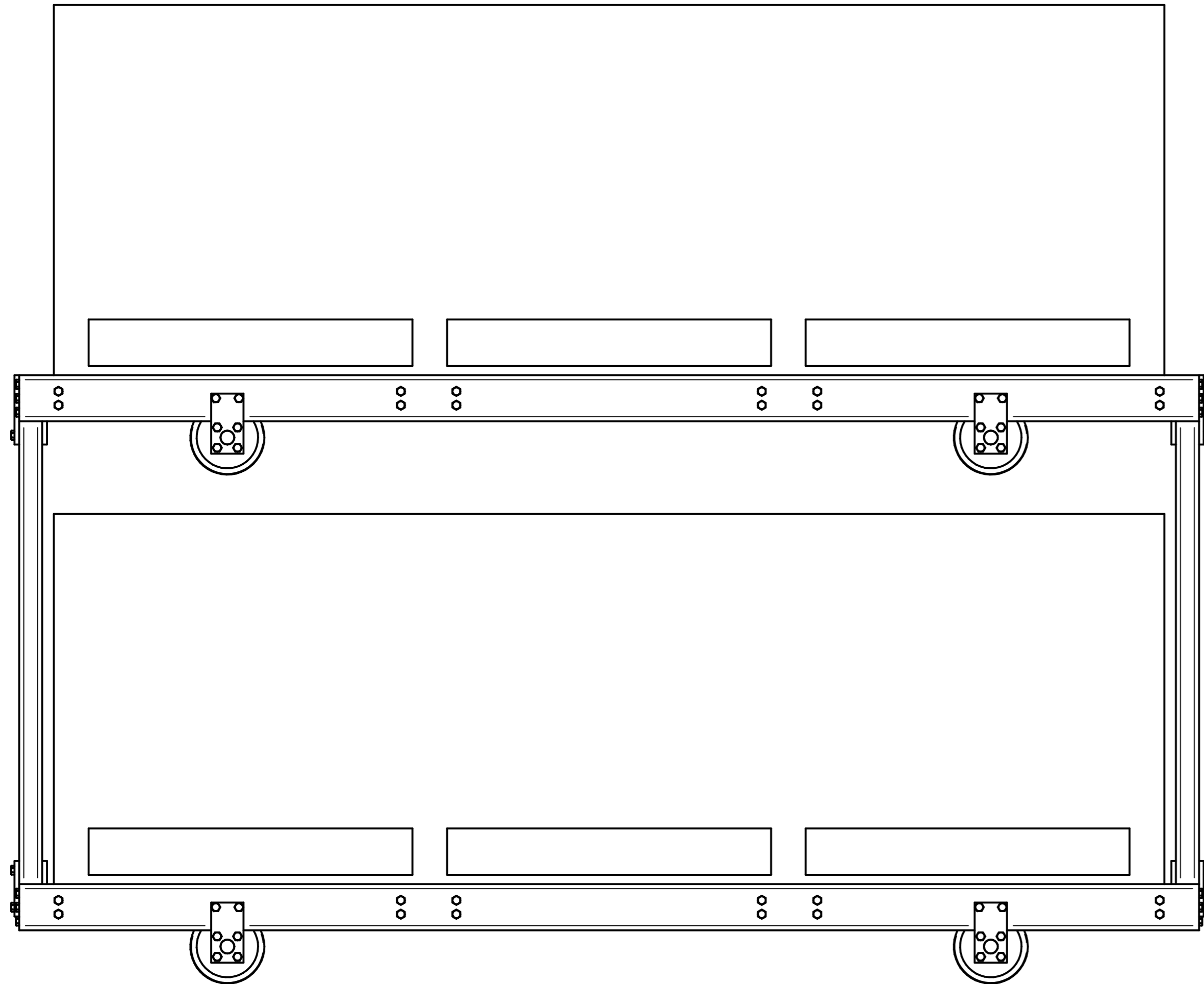
DRAWN	NAME	DATE	<b>PREMAC</b>	
APPROVED	Dan	01/23/23		
MATERIAL				
TREATMENT				
UNLESS OTHERWISE SPECIFIED DIMENSIONS ARE IN MILLIMETERS			SIZE A4	DWG NO
1 <sup>ST</sup> ANGLE ANGLES ±0.1°			FILE NAME: Trolley.dft	
2 PL ±0.02 3 PL ±0.005			SCALE:	WEIGHT:
			SHEET 3 OF 8	

REVISION HISTORY			
REV	DESCRIPTION	DATE	APPROVED



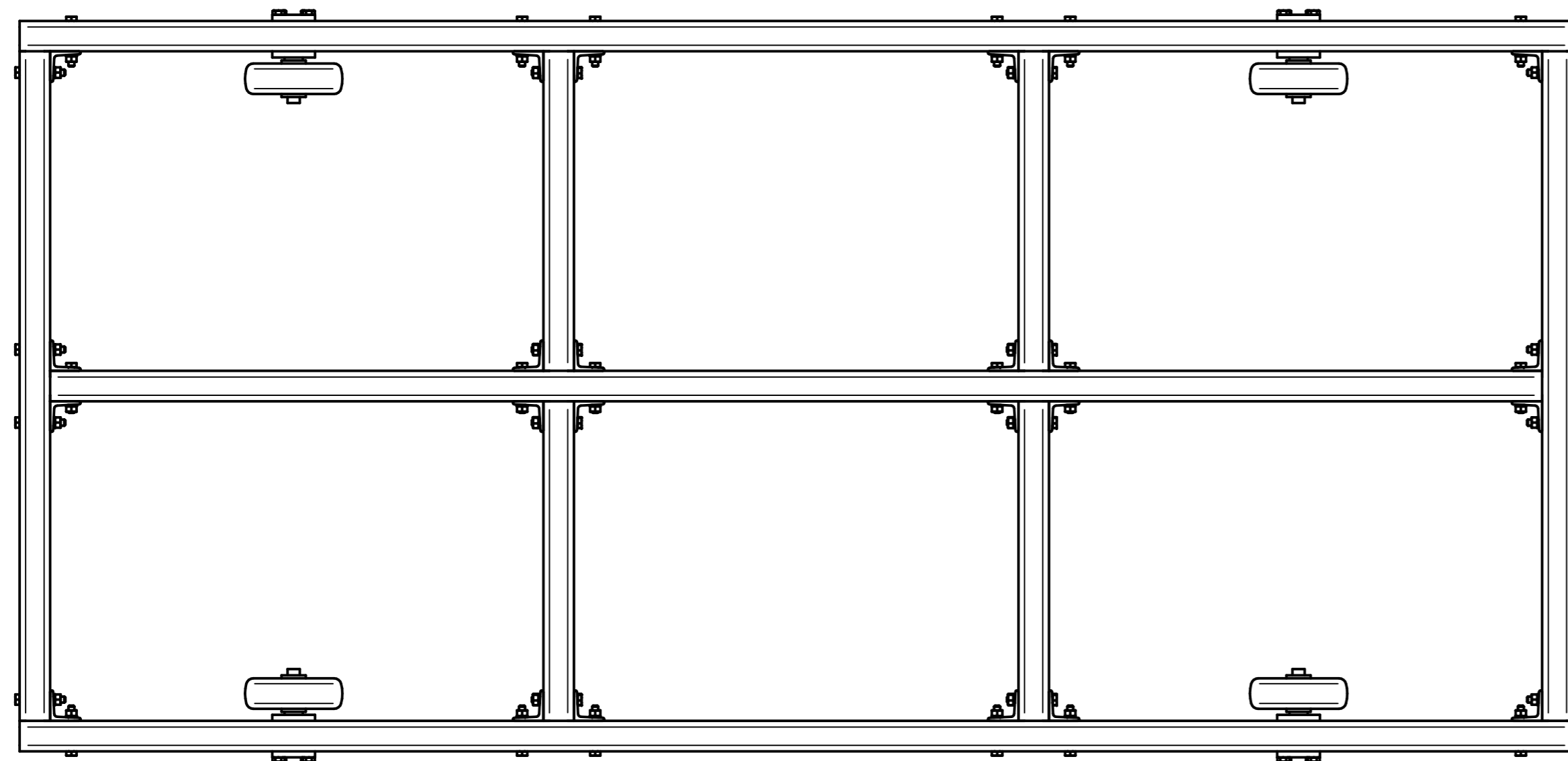
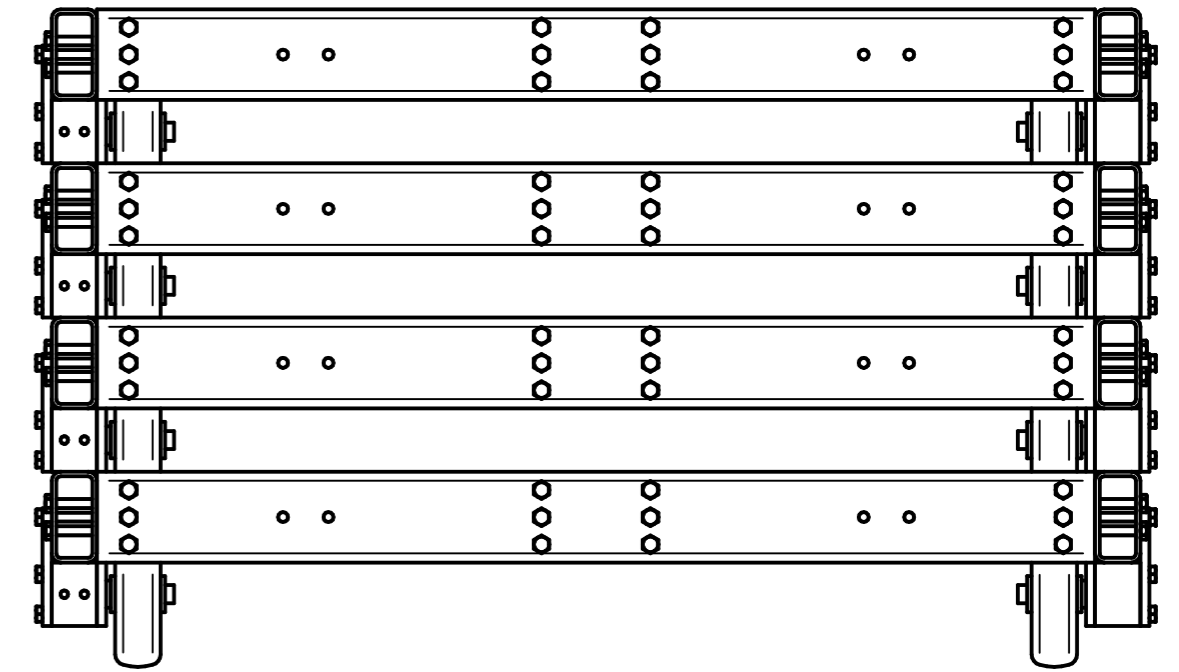
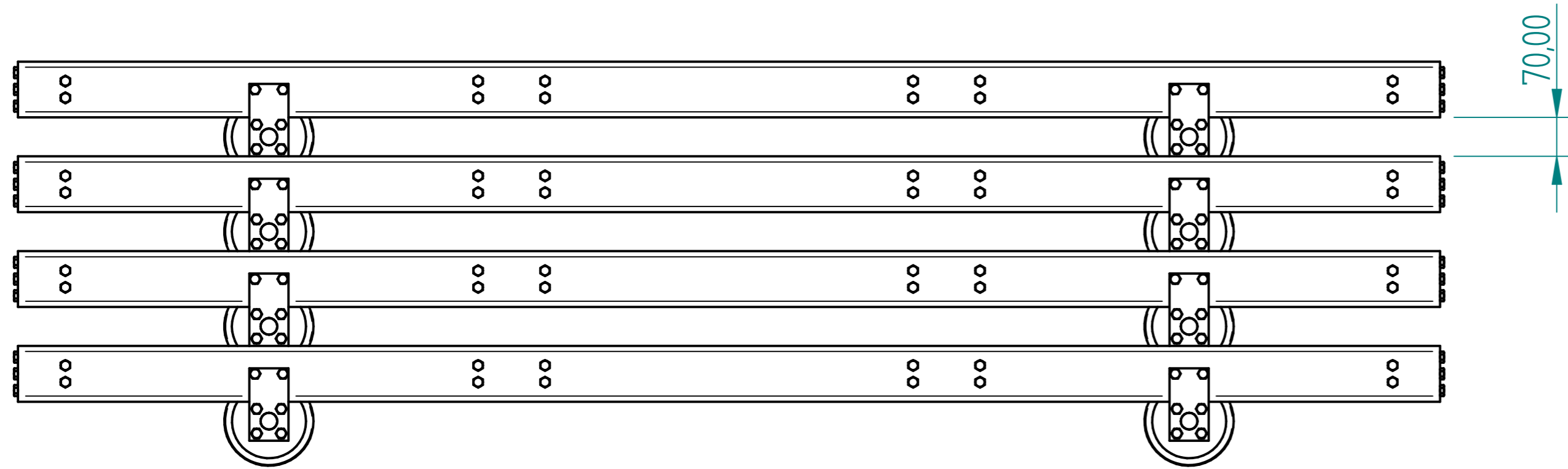
DRAWN	NAME	DATE	<b>PREMAC</b>	
APPROVED	Dan	01/23/23		
MATERIAL	TITLE		SIZE	DWG NO
TREATMENT			A4	
UNLESS OTHERWISE SPECIFIED DIMENSIONS ARE IN MILLIMETERS			FILE NAME: Trolley.dft	REV
1st ANGLE ANGLES ±0.1°			SCALE:	WEIGHT:
2 PL ±0.02 3 PL ±0.005				SHEET 4 OF 8

REVISION HISTORY			
REV	DESCRIPTION	DATE	APPROVED



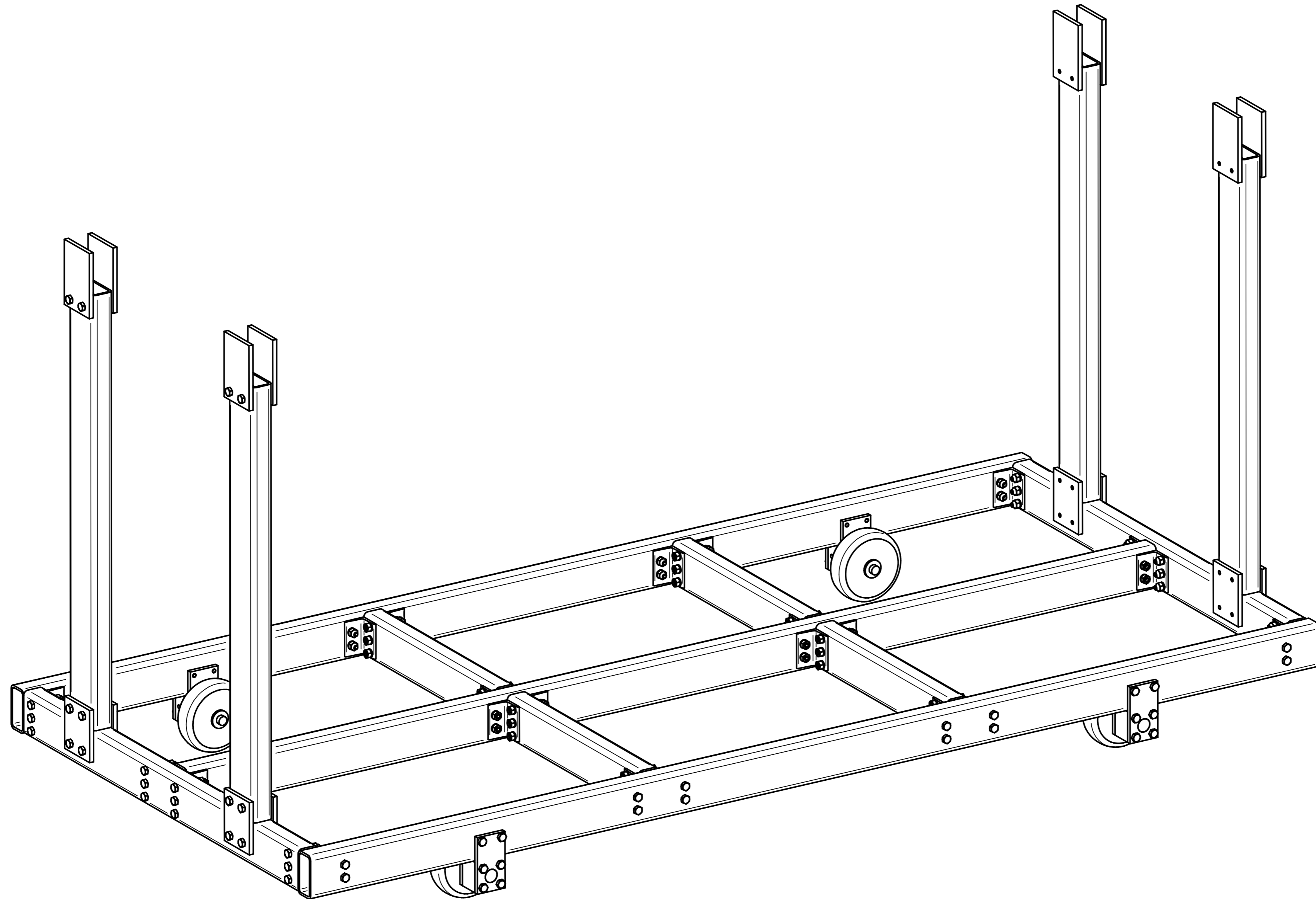
DRAWN	NAME	DATE	<b>PREMAC</b>	
APPROVED	Dan	01/23/23		
MATERIAL			TITLE	
TREATMENT			FILE NAME: Trolley.dft	
UNLESS OTHERWISE SPECIFIED DIMENSIONS ARE IN MILLIMETERS ANGLES ±0.1°			SIZE A4	DWG NO
1st ANGLE 			SCALE:	WEIGHT:
2 PL ±0.02 3 PL ±0.005			SHEET 5 OF 8	


REVISION HISTORY			
REV	DESCRIPTION	DATE	APPROVED



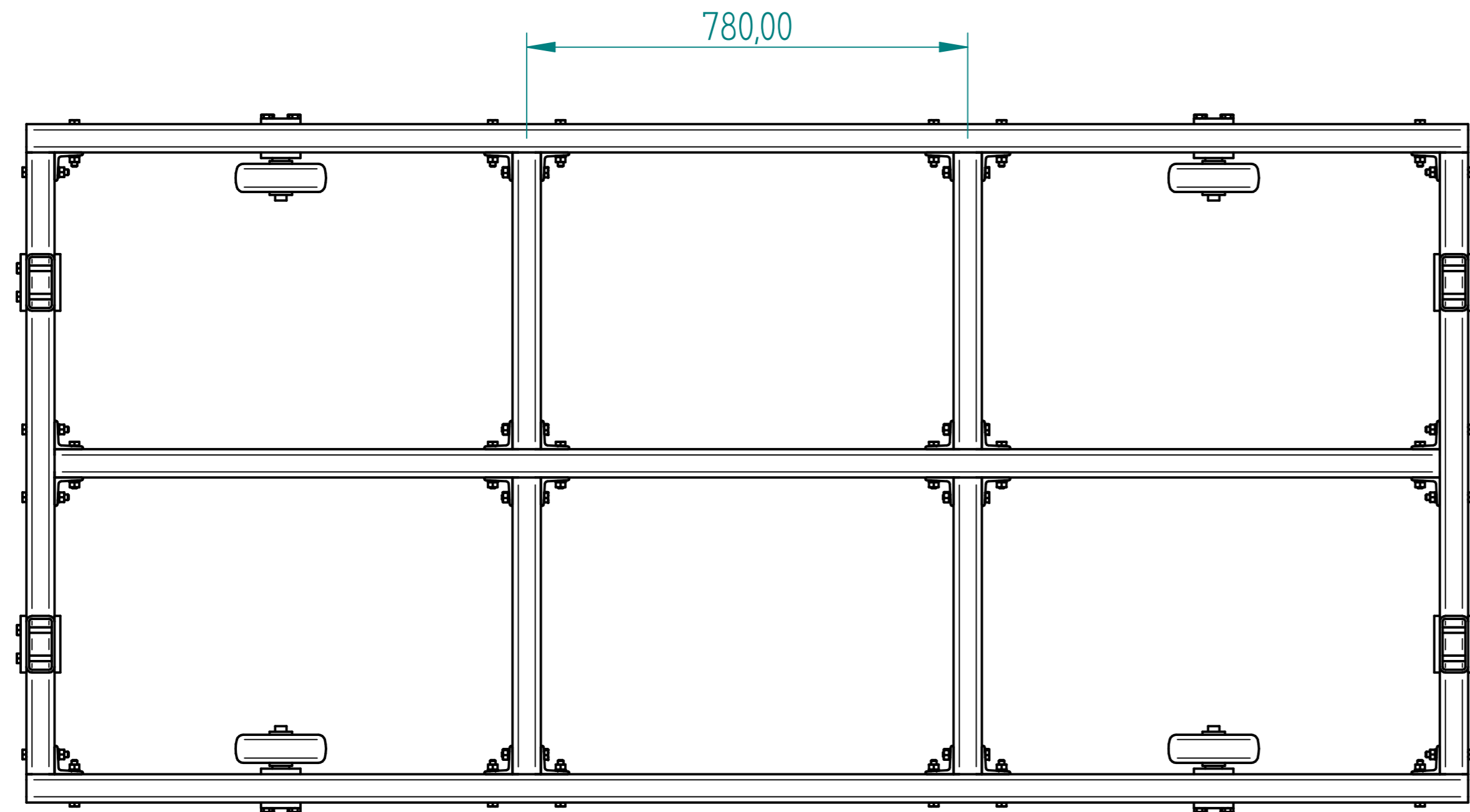
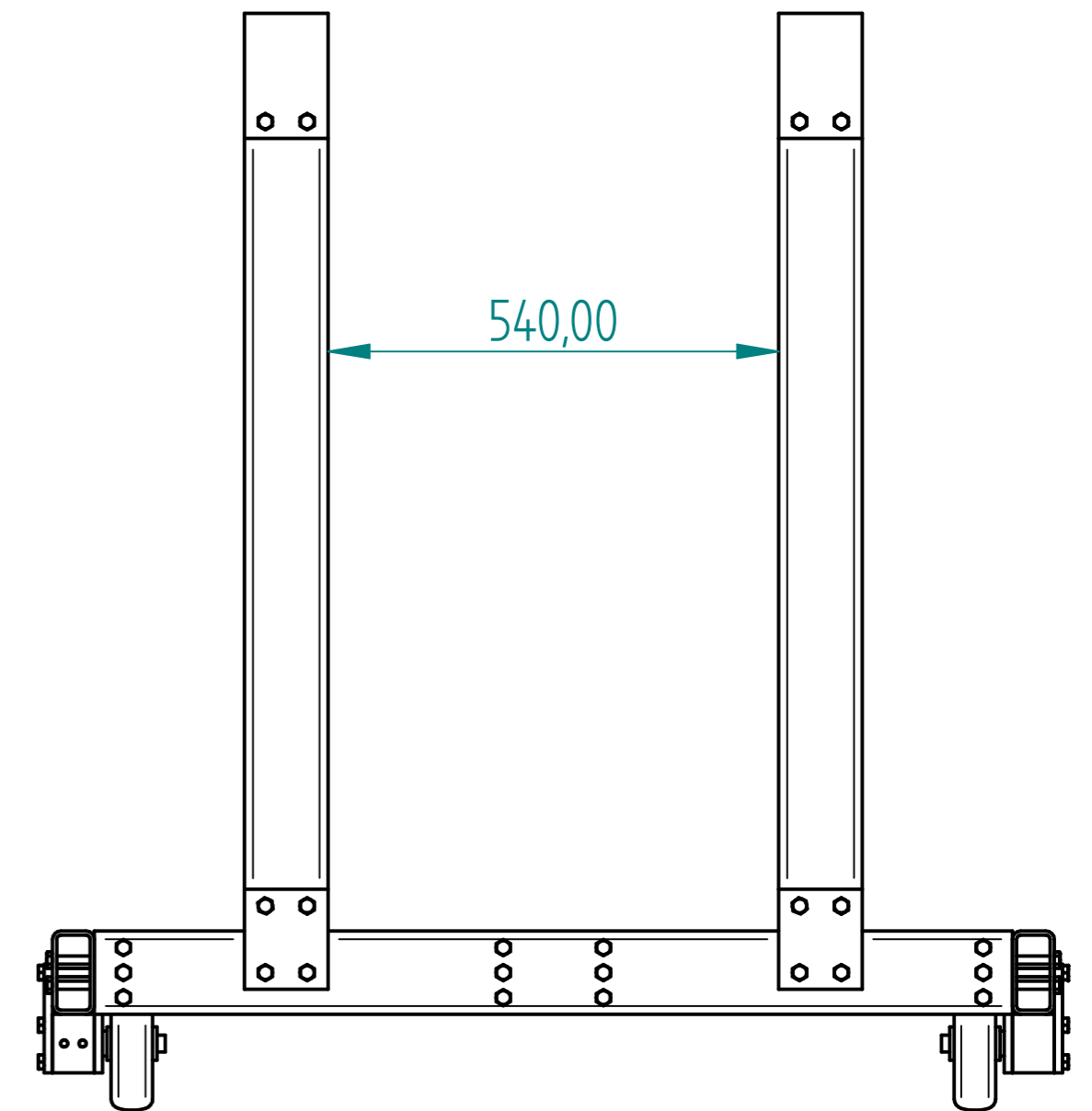
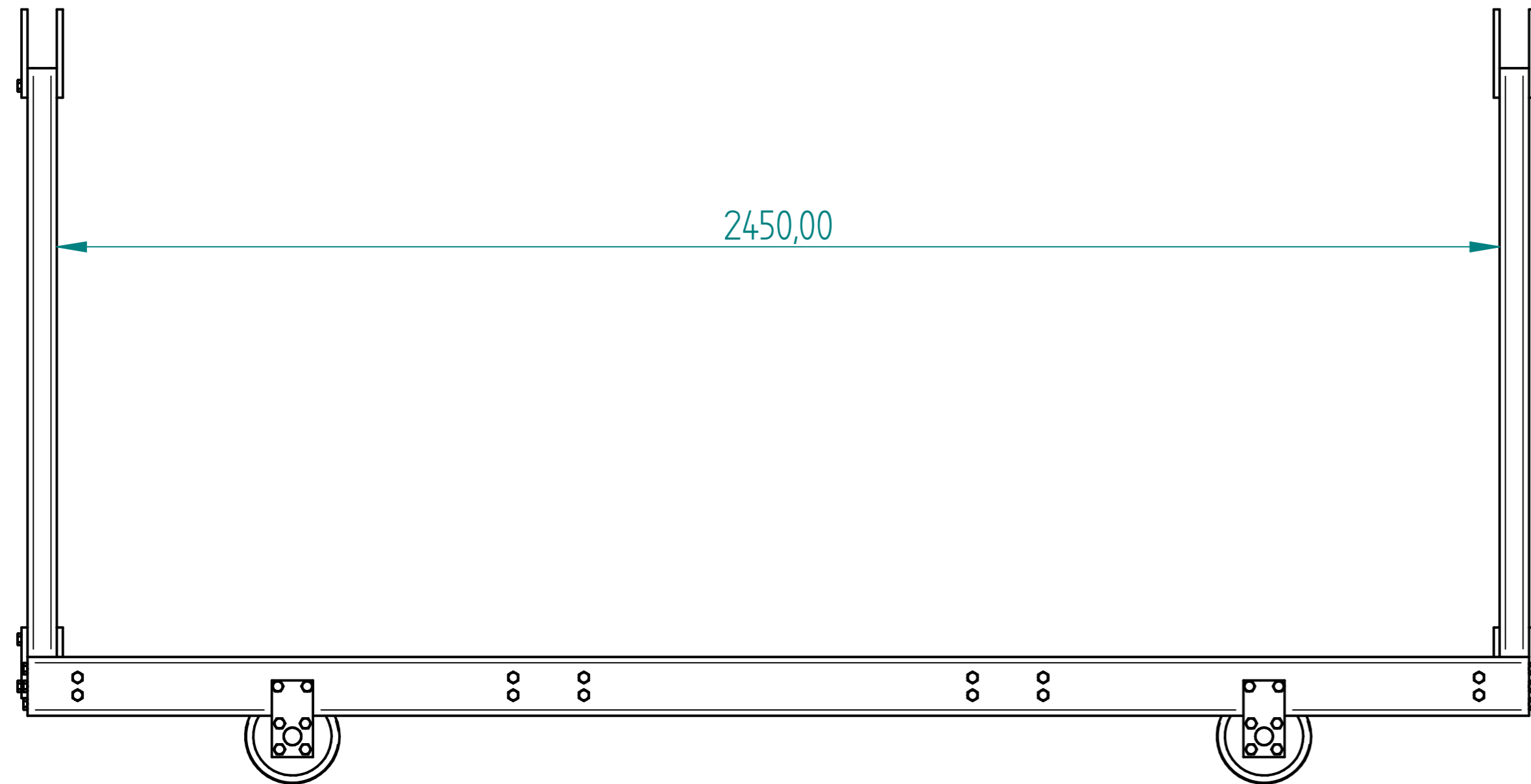
DRAWN	NAME	DATE	<b>PREMAC</b>	
APPROVED	Dan	01/23/23		
MATERIAL			TITLE	
TREATMENT			SIZE	DWG NO
UNLESS OTHERWISE SPECIFIED DIMENSIONS ARE IN MILLIMETERS ANGLES ±0.1° 1st ANGLE			A4	REV
			FILE NAME: Trolley.dft	
2 PL ±0.02 3 PL ±0.005			SCALE:	WEIGHT:
			SHEET 6 OF 8	

REVISION HISTORY			
REV	DESCRIPTION	DATE	APPROVED



	NAME	DATE	<b>PREMAC</b>		
DRAWN	Dan	01/23/23			
APPROVED					
MATERIAL					
TREATMENT			TITLE		
UNLESS OTHERWISE SPECIFIED DIMENSIONS ARE IN MILLIMETERS ANGLES ±0.1°			SIZE A4	DWG NO	REV
1 <sup>ST</sup> ANGLE  2 PL ±0.02 3 PL ±0.005			FILE NAME: Trolley.dft	SCALE:	WEIGHT:
					SHEET 7 OF 8

REVISION HISTORY			
REV	DESCRIPTION	DATE	APPROVED



DRAWN	NAME	DATE	<b>PREMAC</b>	
APPROVED	Dan	01/23/23		
MATERIAL			TITLE	
TREATMENT			FILE NAME: Trolley.dft	
UNLESS OTHERWISE SPECIFIED DIMENSIONS ARE IN MILLIMETERS ANGLES ±0.1°			SIZE A4	DWG NO
1st ANGLE 2 PL ±0.02 3 PL ±0.005			SCALE:	WEIGHT:
			SHEET 8 OF 8	