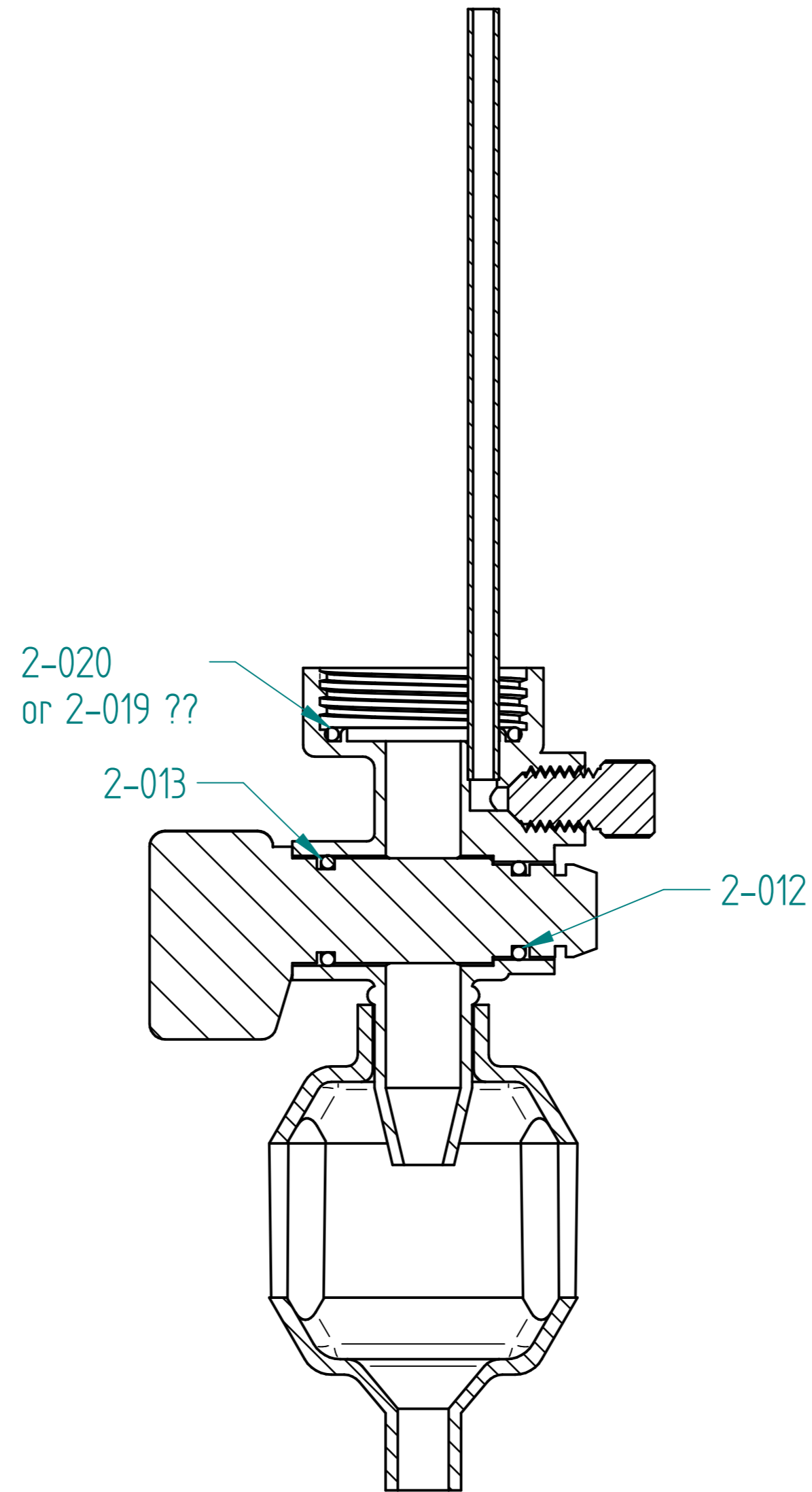
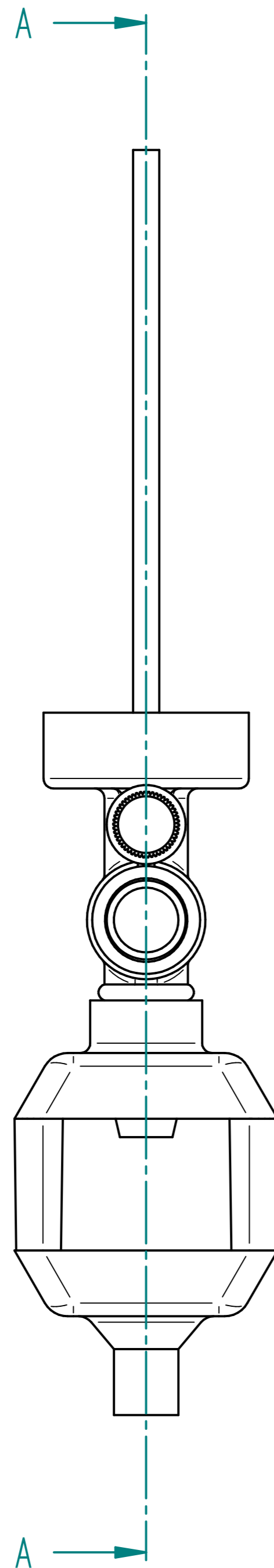
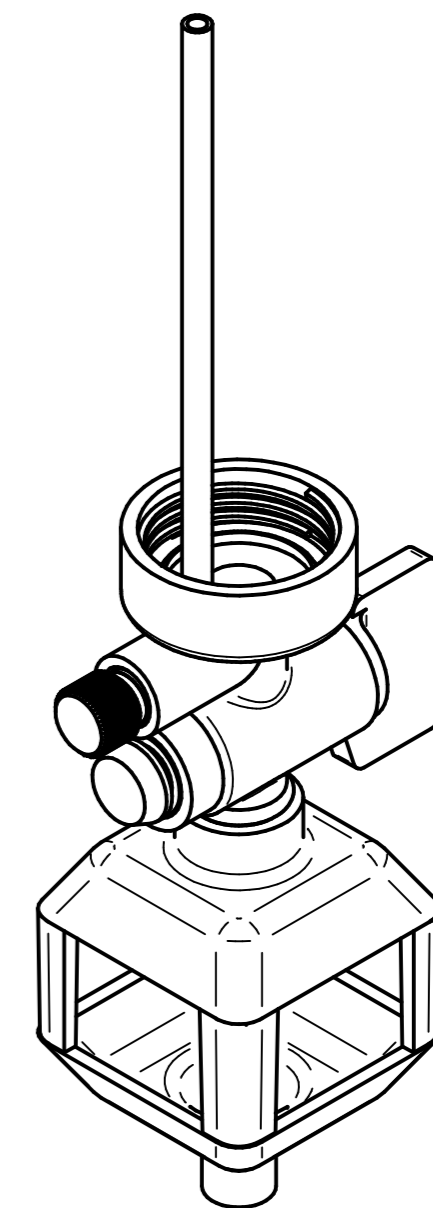


REVISION HISTORY			
REV	DESCRIPTION	DATE	APPROVED



SECTION A-A



DRAWN	NAME	DATE	<b>PREMAC</b>	
APPROVED	Dan	05/01/25		
MATERIAL			TITLE	
TREATMENT			FILE NAME: Drip Viewer.dft	
UNLESS OTHERWISE SPECIFIED DIMENSIONS ARE IN MILLIMETERS ANGLES ±0.1° 1st ANGLE			SIZE A4	DWG NO
2 PL ±0.02 3 PL ±0.005			SCALE:	WEIGHT:
			SHEET 1 OF 1	