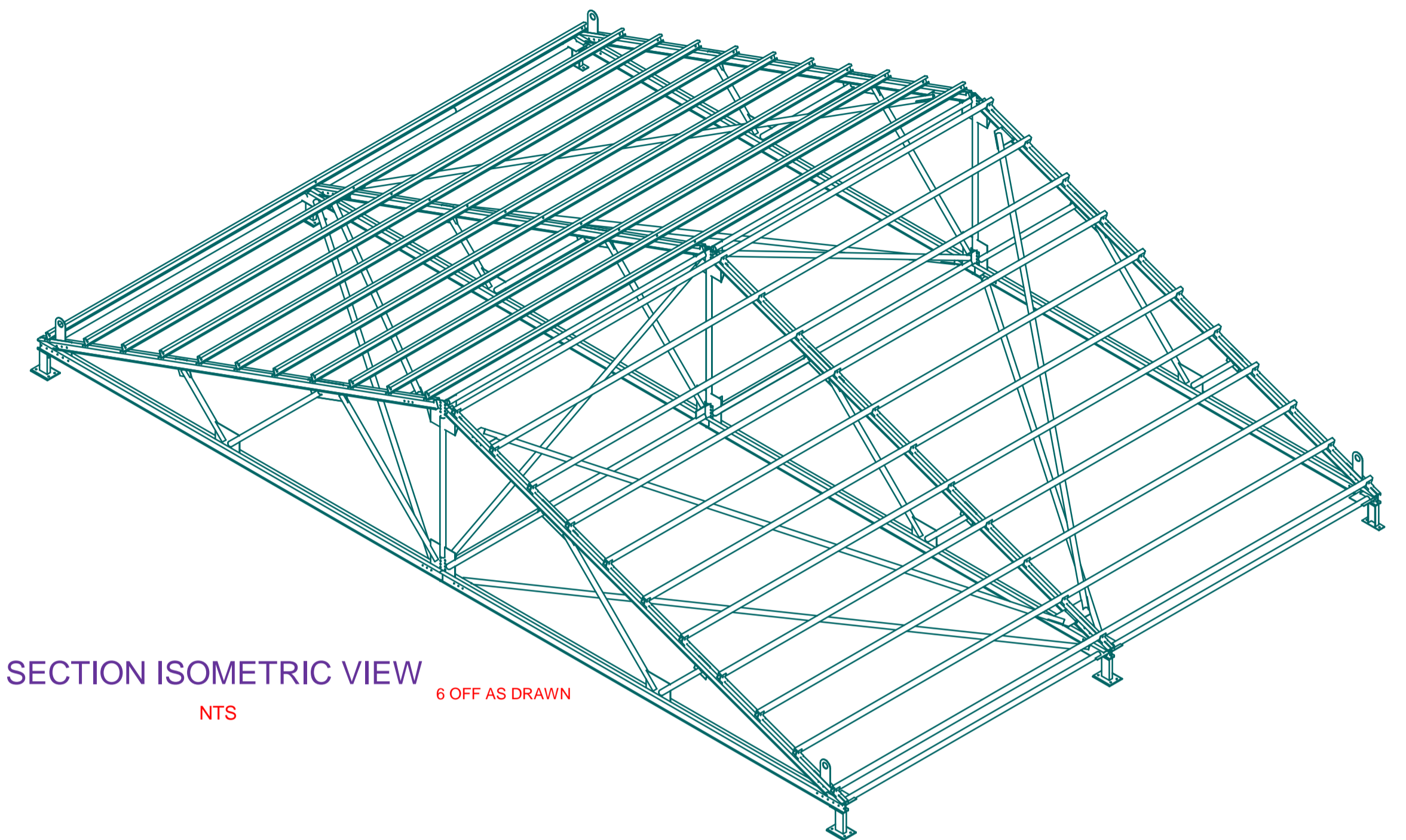
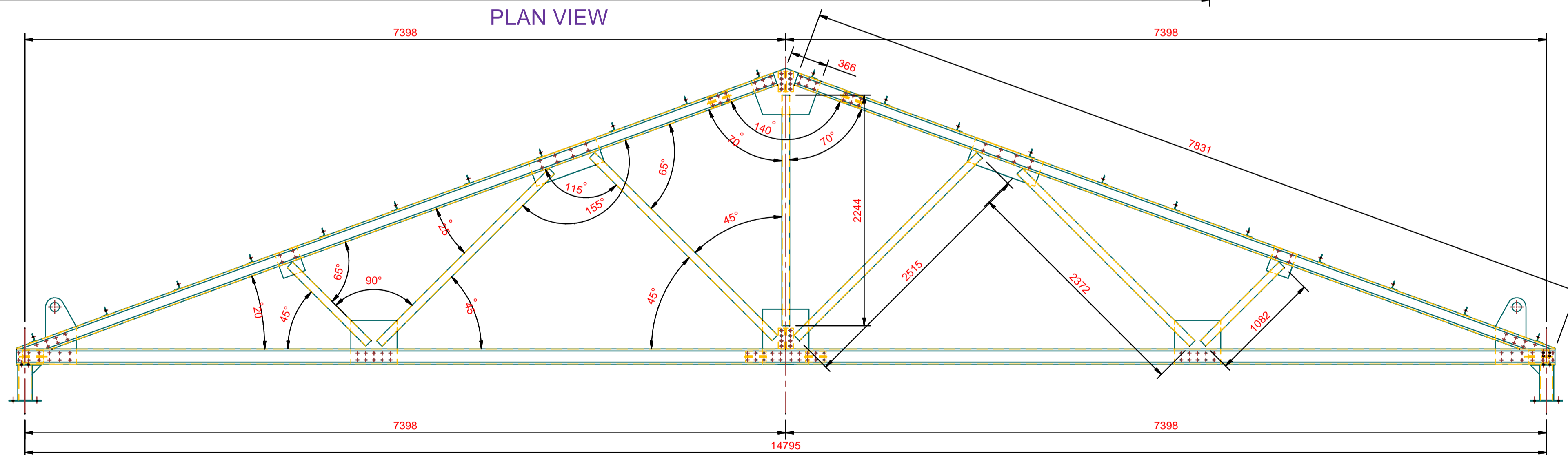


PLAN VIEW



SECTION ISOMETRIC VIEW
NTS 6 OFF AS DRAWN



SECTION GENERAL ARRANGEMENT FRONT VIEW

SCALE 1:30

COPYRIGHT HELD BY ADS CONSULTING ENGINEER cc © 2013
"Copyright subsists in this work. Any unauthorised reproduction in any manner or form, publication, making an adaptation of the work and doing in relation to an adaptation of the work, any of the acts above, are acts of copyright infringement and make the DOER liable for civil law copyright infringement and may in certain circumstances make the DOER liable to criminal prosecution."

PROJECT MANAGER	NAME _____	DATE: _____
SIGNATURE _____	MECH / STRUCT ENG	DATE: _____
DATE _____	ELEC / INST ENG	DATE: _____
CLIENT ENGINEER	NAME _____	DATE: _____
SIGNATURE _____	CIVIL / STRUCT ENG	DATE: _____
DATE _____	CHECKED BY _____	DATE: _____
S-P-van Wyk Pr-Eng Name _____ 88021 SIGNATURE _____ 26/04/2013 ORIGINAL DATE _____ DATE: 26/04/2013 REVISION DATE _____		DRAWN BY Come' Swart ADS Junior Draftsman

DRAWING NO	REFERENCE DRAWINGS	ISSUED FOR APPROVAL	DESCRIPTION	REV	DATE	REVISED BY	CHECKED BY	SECTION LEADER

ADS Consulting Engineers cc
 Steve van Wyk Pr. Engineer PO Box 445
 Cell: 0787466446 Magaliesburg
 e-mail: steve@adsconsulting.co.za 1791
 "a company that always bring you first through engineering!"

DRG SIZE: A1
 SCALE: N.T.S.
 DRAWING NUMBER: 2013-BA-001-012

PROJECT	Bafokeng Rasimone Mine		
LOCATION	Concentrator Plant		
AREA			
TITLE	Roof Section General Arrangement		
CLIENT NUMBER	PROJECT NUMBER	SHEET NUMBER	REV
	2013BA	13	0