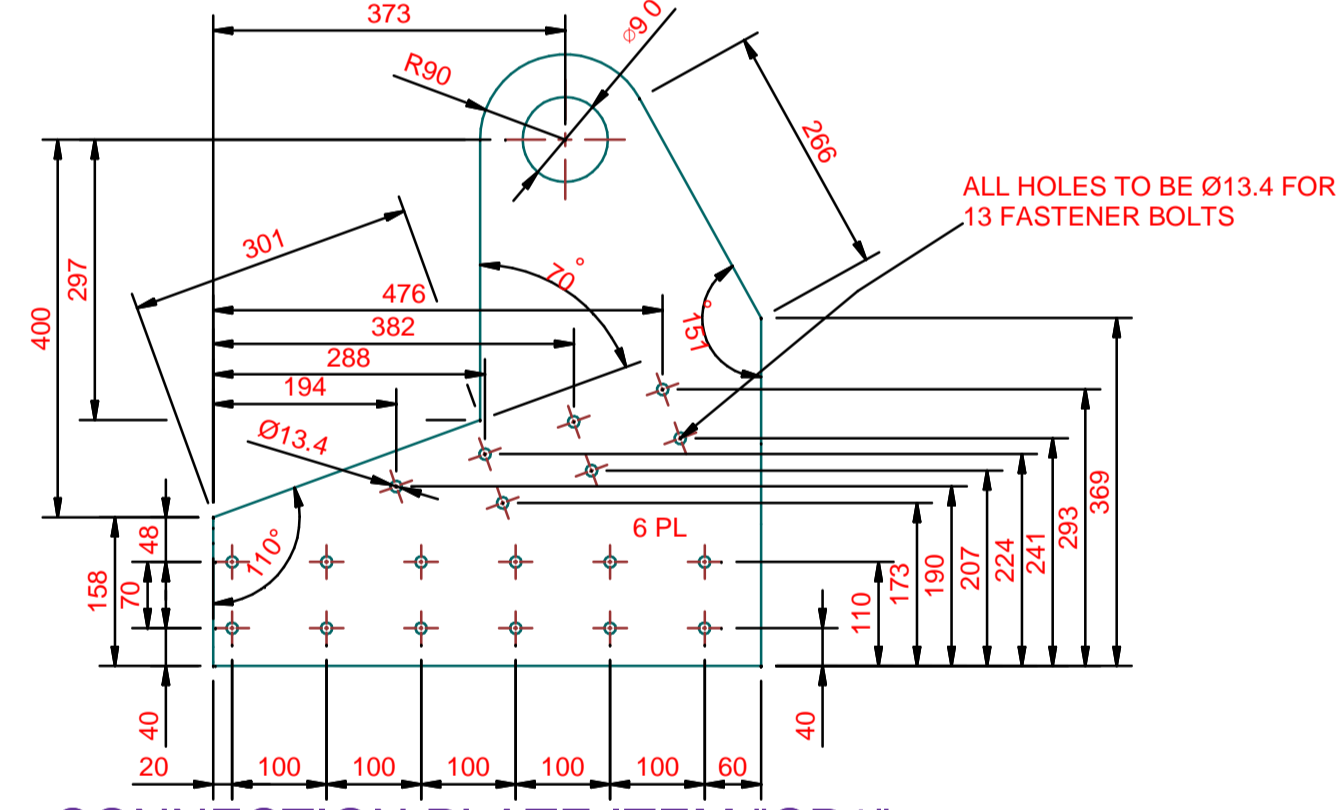


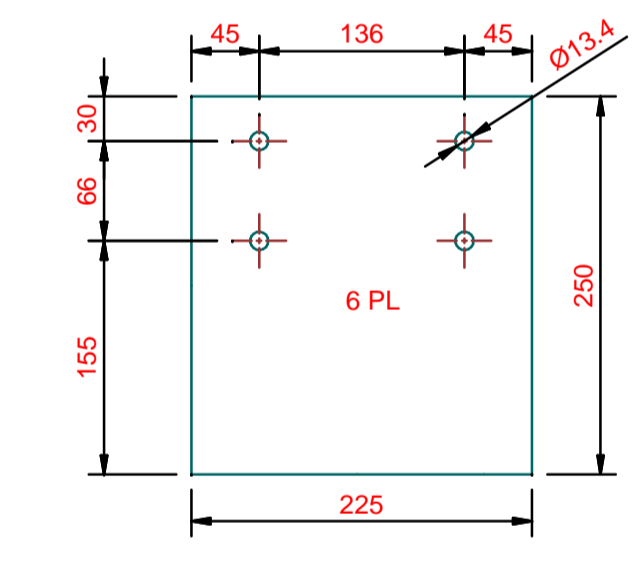
RAFTER ITEM "R3"

SCALE 1:30 6 OFF AS DRAWN



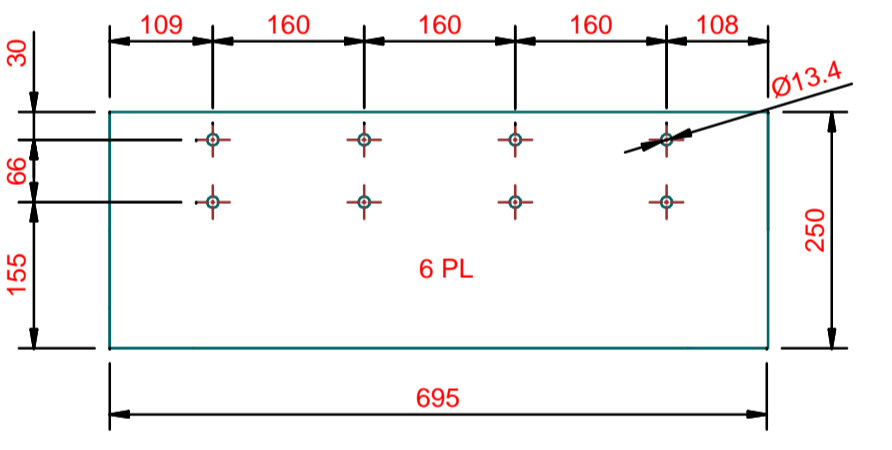
CONNECTION PLATE ITEM "CP1"

SCALE 1:4



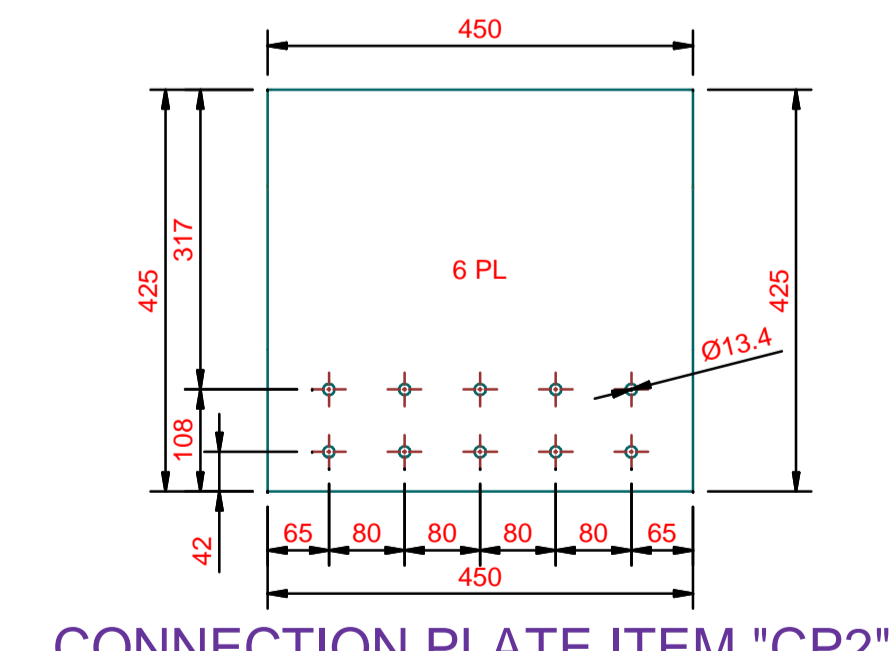
CONNECTION PLATE ITEM "CP3"

SCALE 1:4



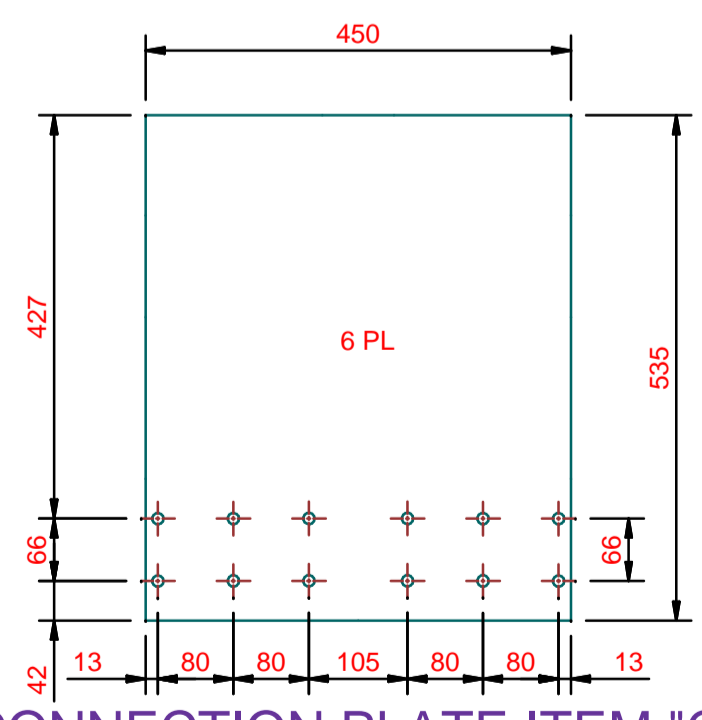
CONNECTION PLATE ITEM "CP4"

SCALE 1:4



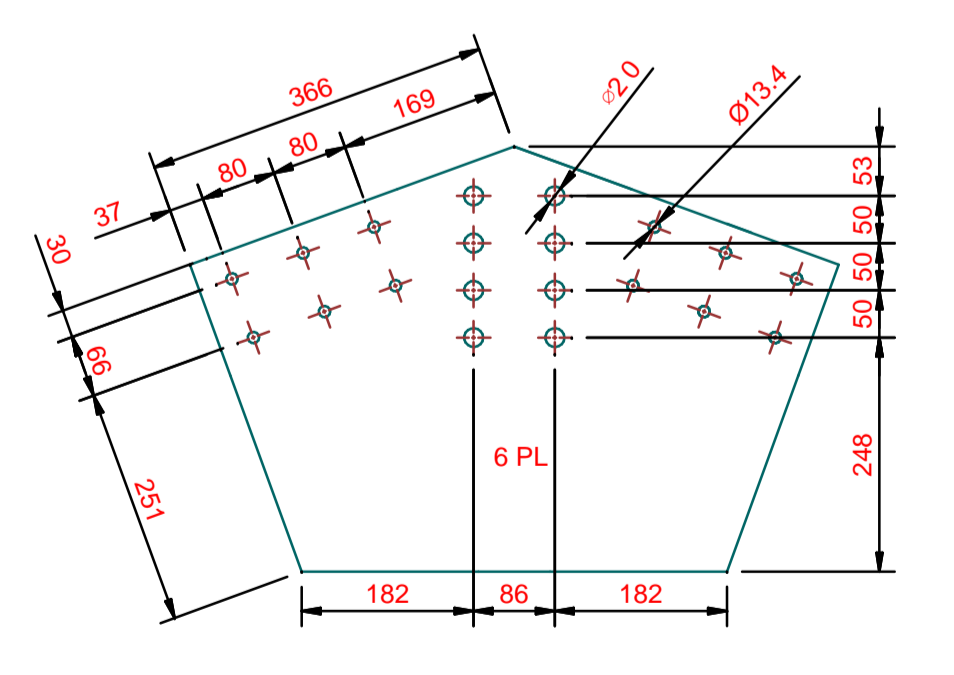
CONNECTION PLATE ITEM "CP2"

SCALE 1:4



CONNECTION PLATE ITEM "CP5"

SCALE 1:4



CONNECTION PLATE ITEM "CP6"

SCALE 1:4

COPYRIGHT HELD BY ADS CONSULTING ENGINEER cc © 2013
 "Copyright subsists in this work. Any unauthorised reproduction in any manner or form, publication, making an adaptation of the work and doing in relation to an adaptation of the work, any of the acts above are acts of copyright infringement and make the DOER liable for civil law copyright infringement and may in certain circumstances make the DOER liable to criminal prosecution."

PROJECT MANAGER		PROJECT ENG
NAME	DATE	
SIGNATURE		MECH / STRUCT ENG
DATE	DATE	
CLIENT ENGINEER		CIVIL / STRUCT ENG
NAME	DATE	
SIGNATURE		CHECKED BY
DATE	DATE	
SIGNED BY: BR ENG / PR TECH		DRAWN BY
Name	DATE	
SIGNATURE		
DATE	DATE	
ORIGINAL DATE		DATE: 26/04/2013
REVISION DATE		

DRAWING No	REFERENCE DRAWINGS	ISSUED FOR APPROVAL	DESCRIPTION	REV	DATE	REVISED BY	CHECKED BY	SECTION LEADER
					26/04/2013			

ADS Consulting Engineers cc
 Steve van Wyk Pr. Engineer PO Box 445
 Cell: 0787466446 Magaliesburg
 e-mail: steve@adsconsulting.co.za 1791
 "a company that always bring you first through engineering!"

DWG SIZE: A1
 SCALE: N.T.S.
 DRAWING NUMBER: 2013-BA-001-010

PROJECT	Bafokeng Rasimone Mine		
LOCATION	Concentrator Plant		
AREA			
TITLE	Rafter "R3"		
CLIENT NUMBER	PROJECT NUMBER	SHEET NUMBER	REV
	2013BA	11	0