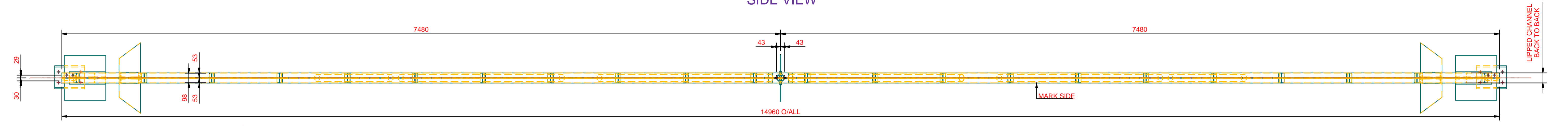


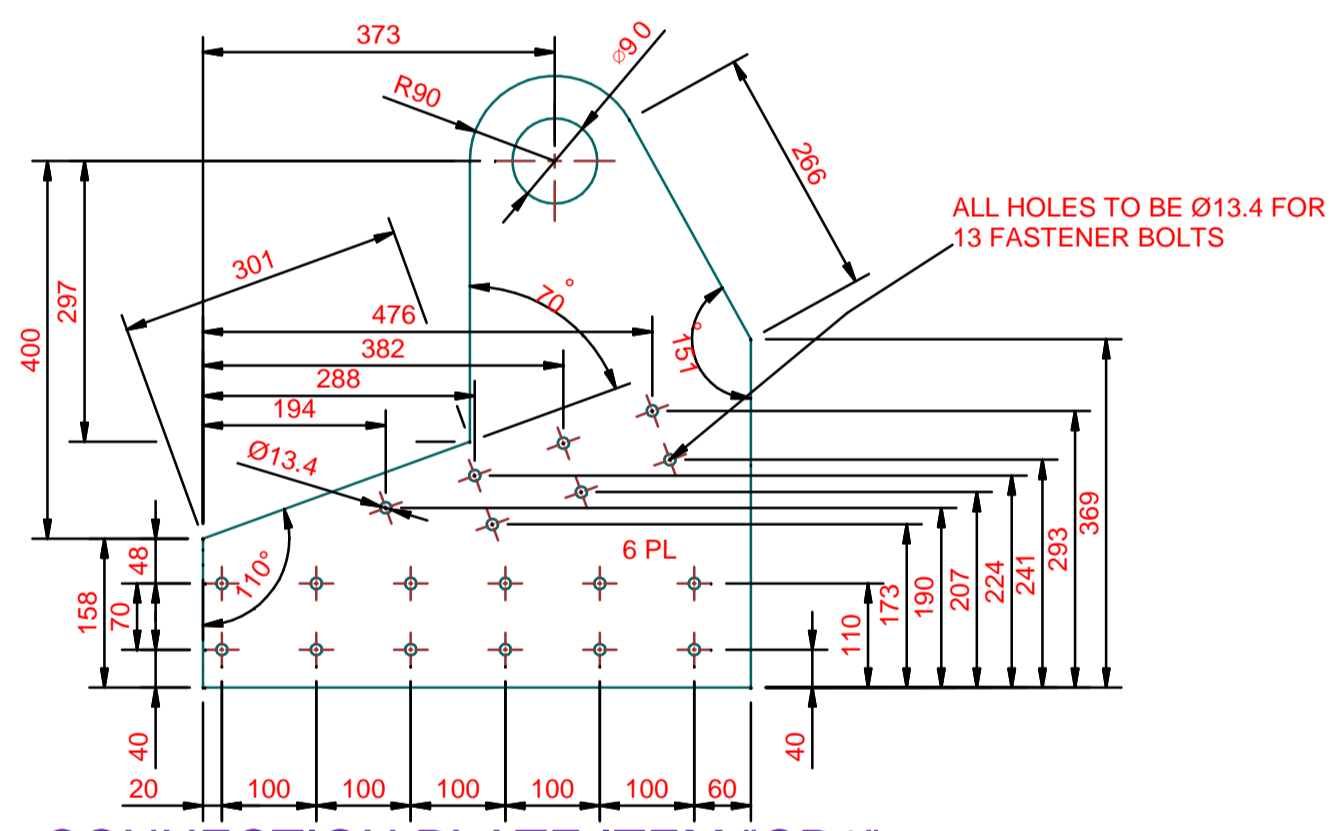
SIDE VIEW



RAFTER ITEM "R2"

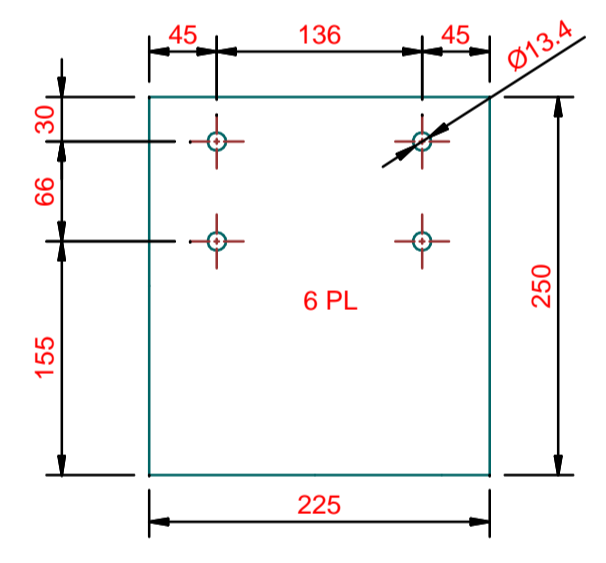
SCALE 1:30

6 OFF AS DRAWN



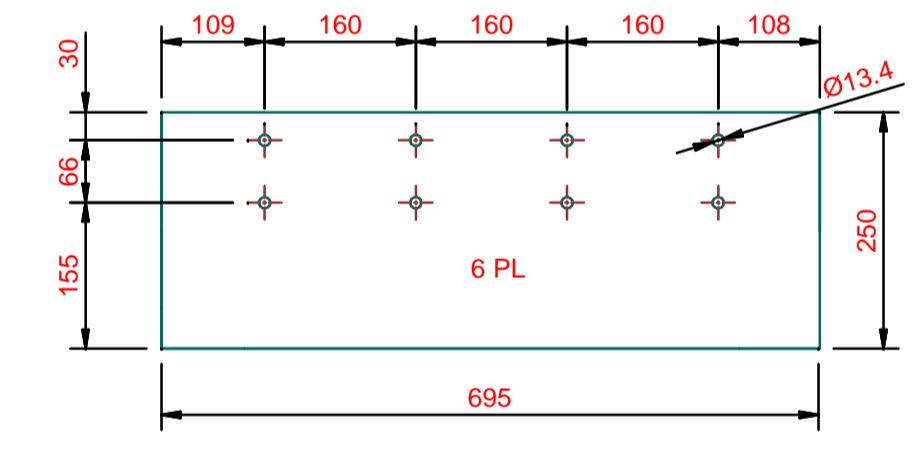
CONNECTION PLATE ITEM "CP1"

SCALE 1:4



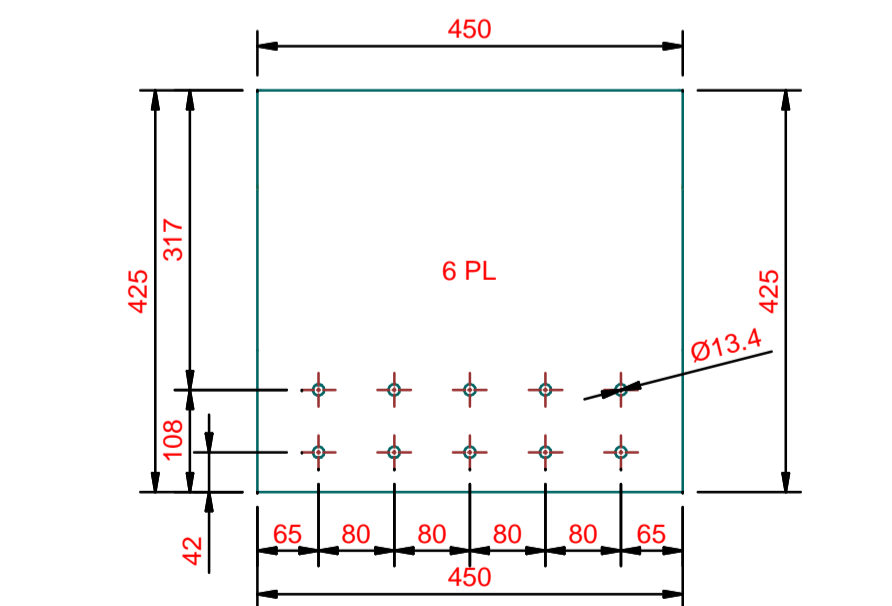
CONNECTION PLATE ITEM "CP3"

SCALE 1:4



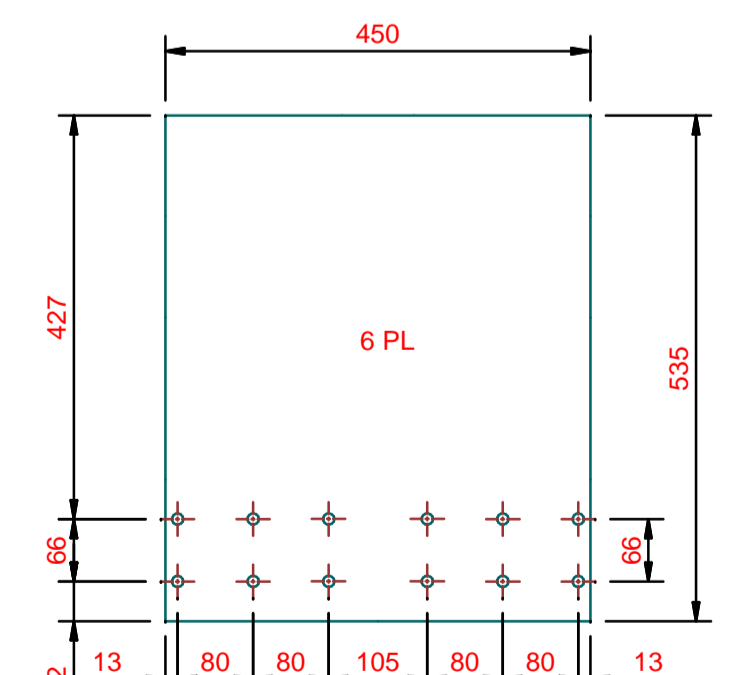
CONNECTION PLATE ITEM "CP4"

SCALE 1:4



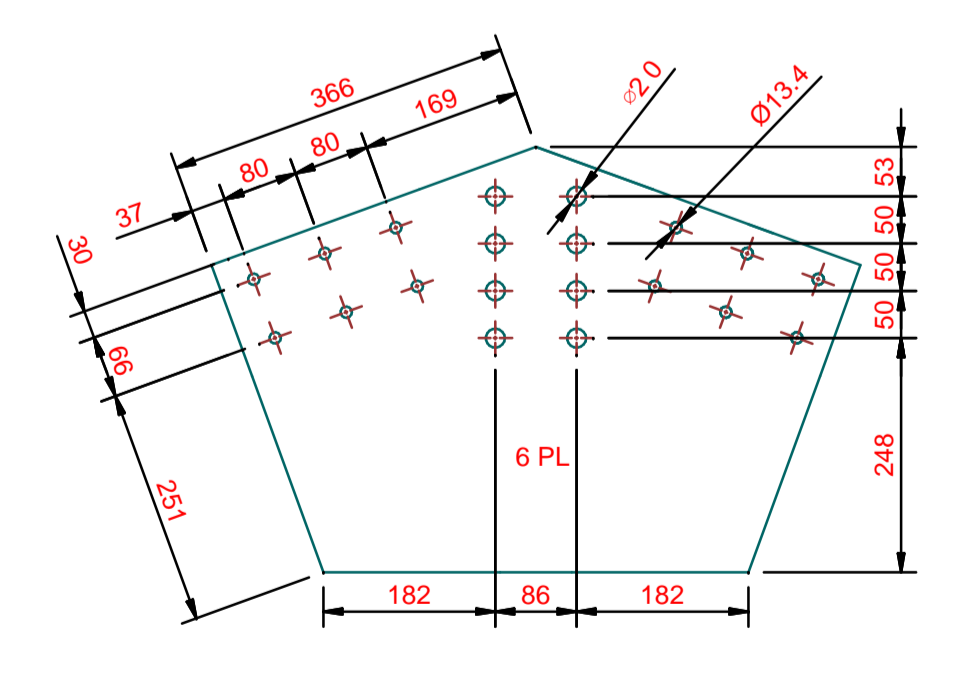
CONNECTION PLATE ITEM "CP2"

SCALE 1:4



CONNECTION PLATE ITEM "CP5"

SCALE 1:4



CONNECTION PLATE ITEM "CP5"

SCALE 1:4

COPYRIGHT HELD BY ADS CONSULTING ENGINEER cc © 2013
 "Copyright subsists in this work. Any unauthorised reproduction in any manner or form, publication, making an adaptation of the work and doing in relation to an adaptation of the work, any of the acts above, are acts of copyright infringement and make the DOER liable for civil law copyright infringement and may in certain circumstances make the DOER liable to criminal prosecution."

PROJECT MANAGER		PROJECT ENG
NAME _____	DATE: _____	
SIGNATURE _____		MECH / STRUCT ENG
DATE _____	DATE: _____	
CLIENT ENGINEER		CIVIL / STRUCT ENG
NAME _____	DATE: _____	
SIGNATURE _____		ELEC / INST ENG
DATE _____	DATE: _____	
S-P van Wyk Pr. Eng		CHECKED BY
Name _____	DATE: _____	
SIGNATURE _____		DRAWN BY
DATE _____	DATE: _____	
88021		Come! Swart
2013		ADS Junior Draftsman
ORIGINAL DATE _____	DATE: _____	
REVISION DATE _____	DATE: _____	

DRAWING No	REFERENCE DRAWINGS	ISSUED FOR APPROVAL	DESCRIPTION	REV	DATE	REVISED BY	CHECKED BY	SECTION LEADER
					26/04/2013			

ADS Consulting Engineers cc
 Steve van Wyk Pr. Engineer Cell: 0787466446 e-mail: steve@adsconsulting.co.za
 PO Box 445 Magaliesburg 1791
 "a company that always brings you first through engineering!"

TITLE	2013-BA-001-009
SCALE	N.T.S.

PROJECT	Bafokeng Rasimone Mine
LOCATION	Concentrator Plant
AREA	
TITLE	Rafter "R2"
CLIENT NUMBER	2013BA
PROJECT NUMBER	
SHEET NUMBER	10
REV	0