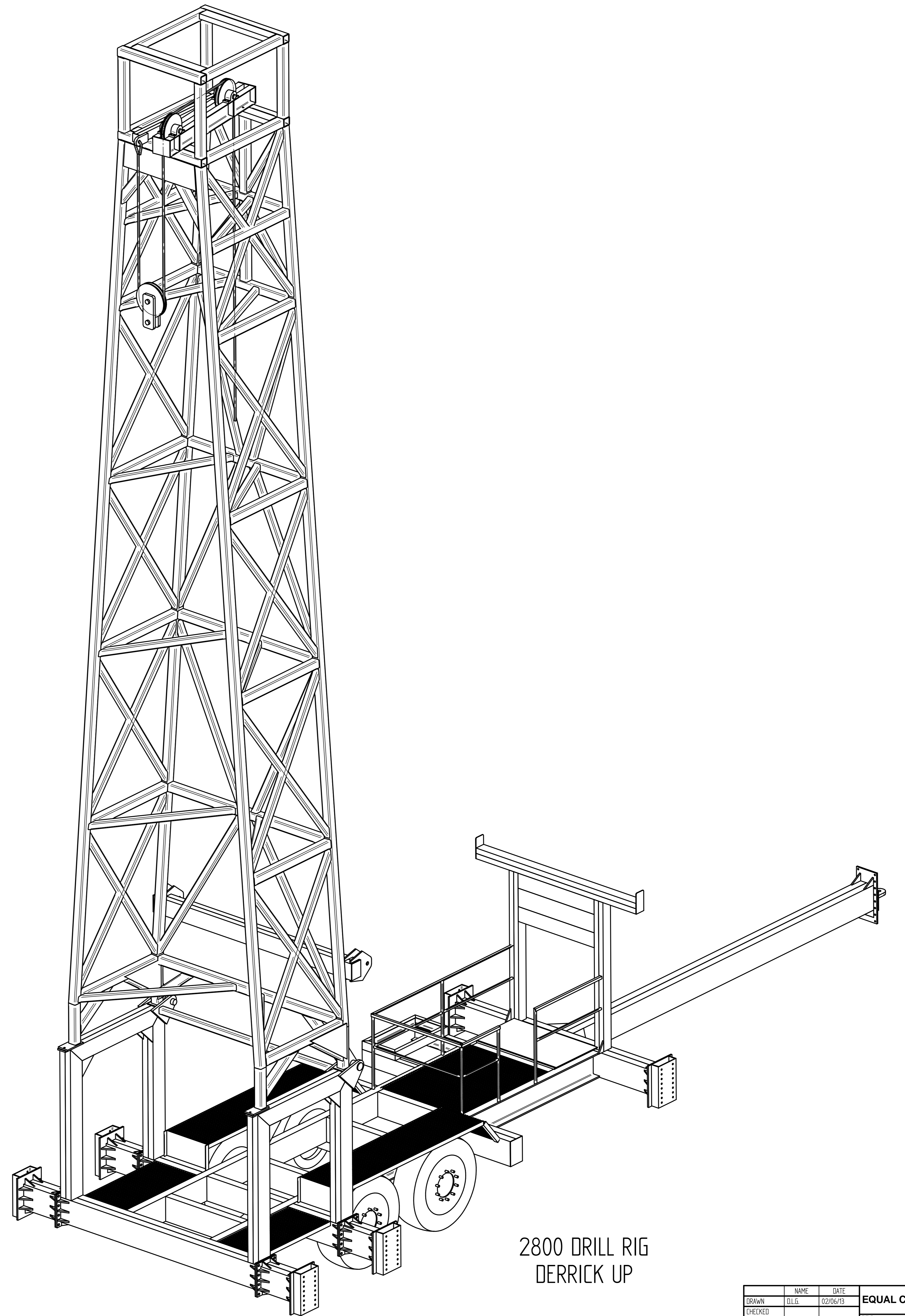
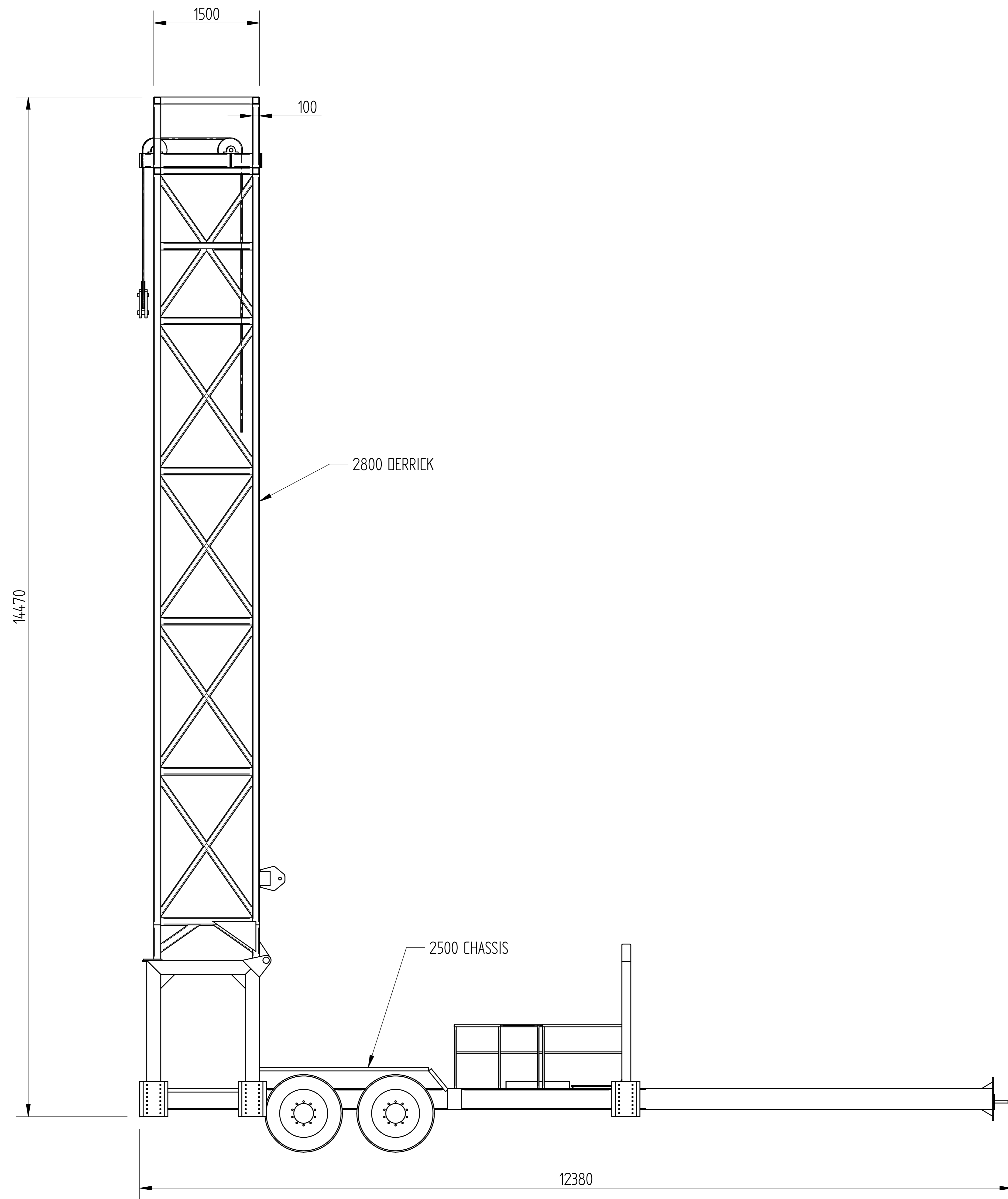


2800 DRILL RIG  
DERRICK DOWN



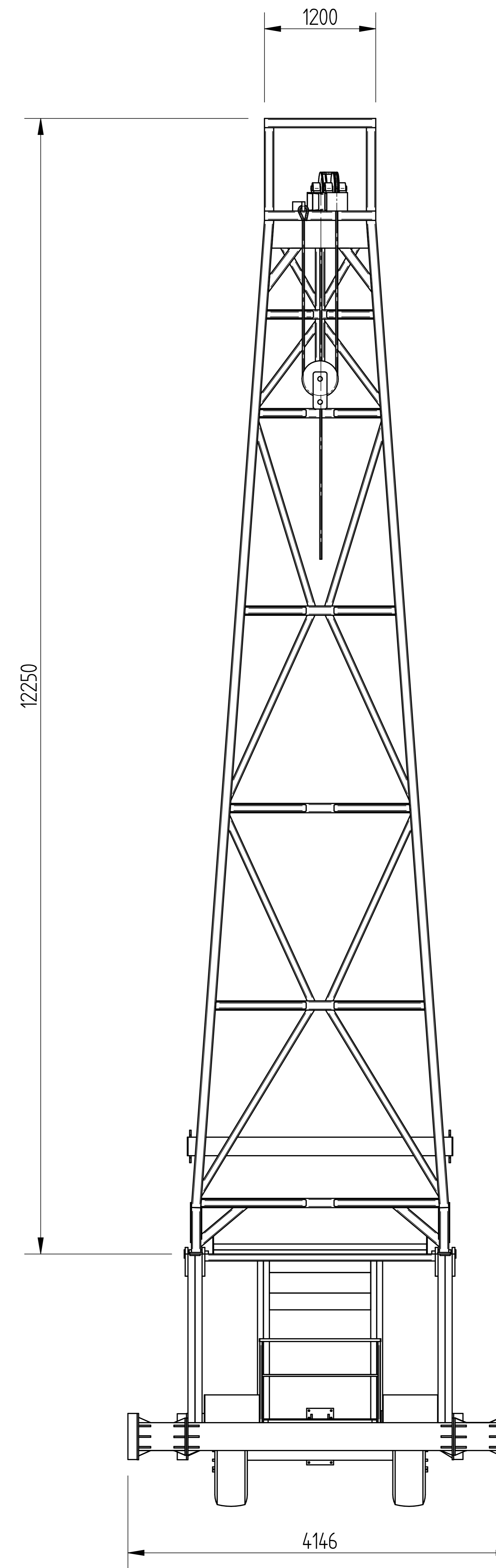
2800 DRILL RIG  
DERRICK UP

DRAWN		NAME	DATE	EQUAL CHANCE TRADING 50		
CHECKED	D.L.G.		02/06/13	TITLE		
ENG APPR				2800 DRILL RIG		
MGR APPR				SIZE	DWG NO	REV
				A0	2800	A
				FILE NAME: 2800 Drill Rig.dwg		
UNLESS OTHERWISE SPECIFIED				SCALE	WEIGHT	SHEET 1 OF 4
DIMENSIONS ARE IN MILLIMETERS						
ANGLES = 90°						
2 PL = 0.02 3 PL = 0.005						



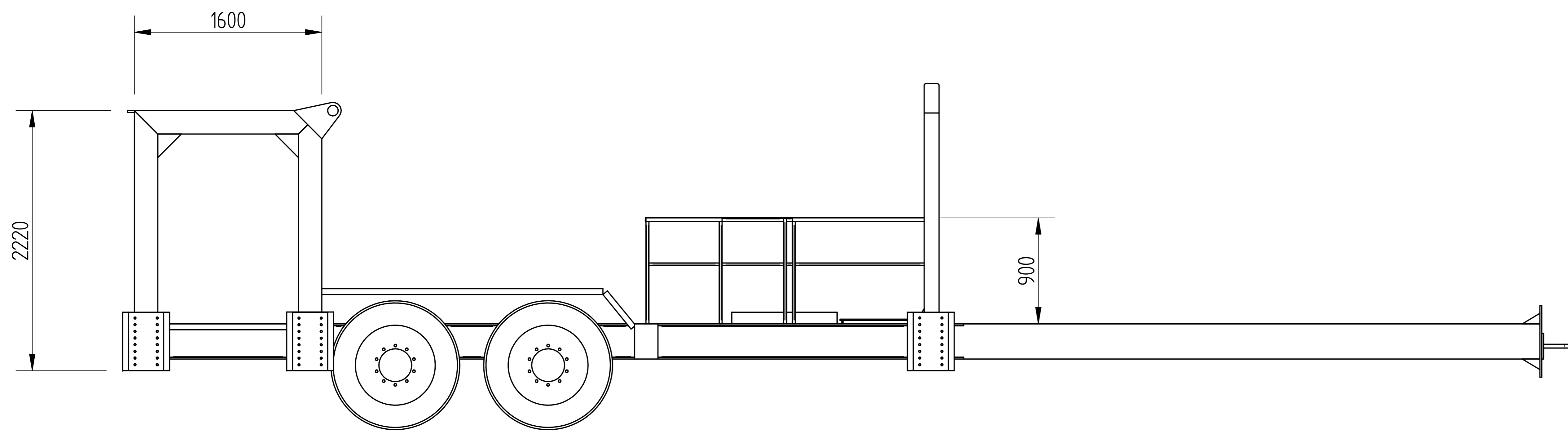
SIDE VIEW

2800 DRILL RIG

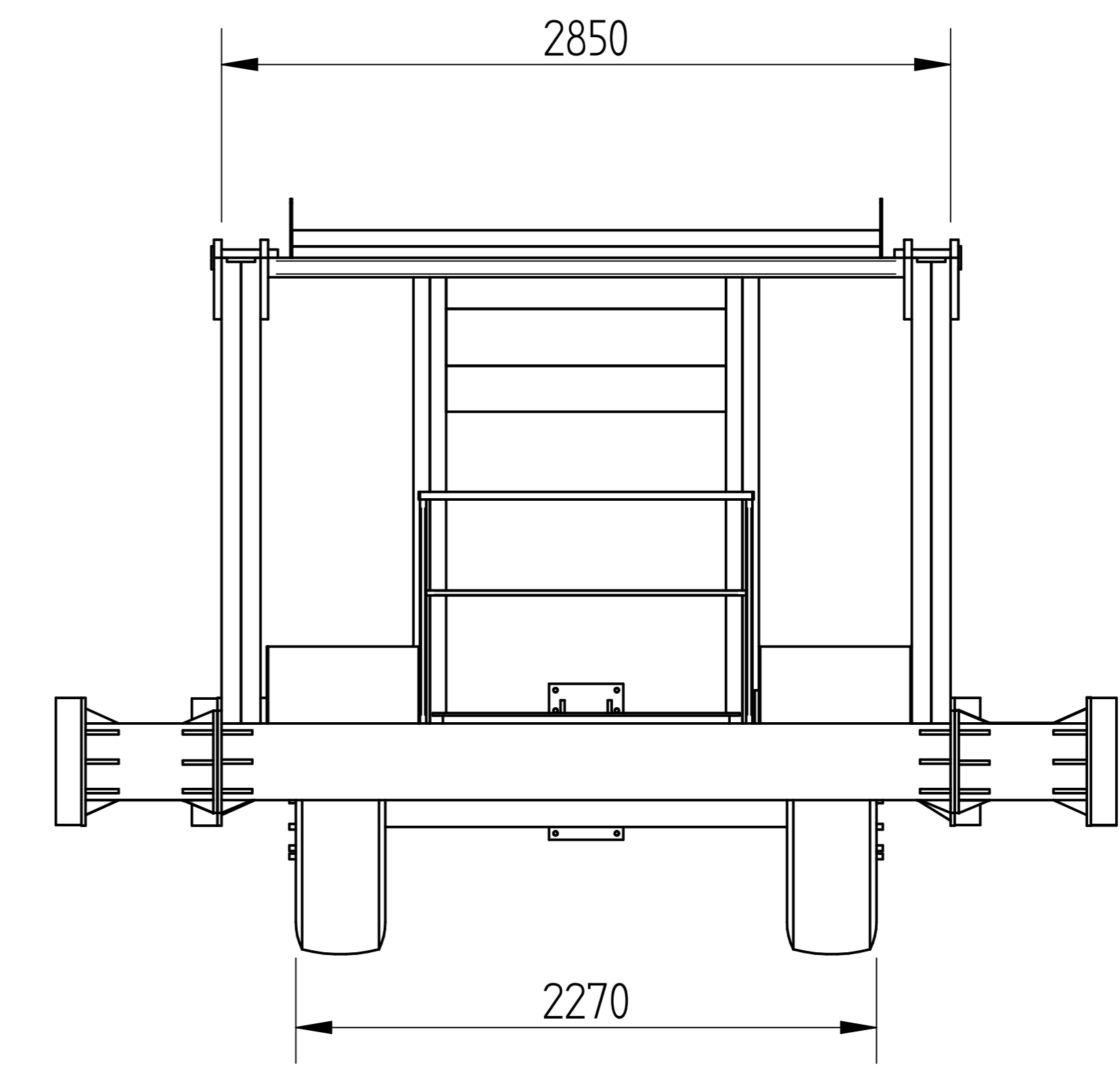


BACK VIEW

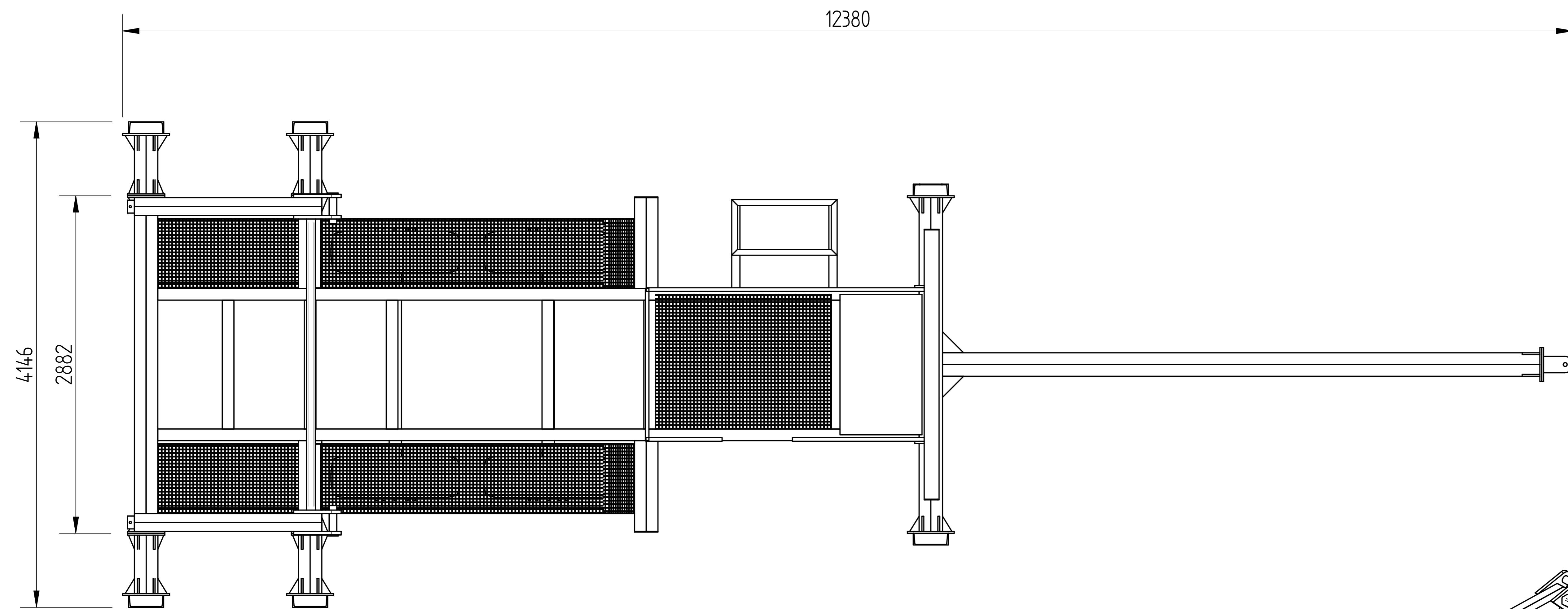
DRAWN	NAME	DATE	EQUAL CHANCE TRADING 50		
CHECKED	D.L.G.	02/06/13	TITLE		
ENG APPR			2800 DRILL RIG		
MGR APPR			SIZE	DWG NO	REV
			A0	2800	A
UNLESS OTHERWISE SPECIFIED			FILE NAME: 2800 Drill Rig.dwg		
DIMENSIONS ARE IN MILLIMETERS			SCALE	WEIGHT	SHEET 2 OF 4
ANGLES ±0.1°					
2 PL ±0.02 3 PL ±0.005					



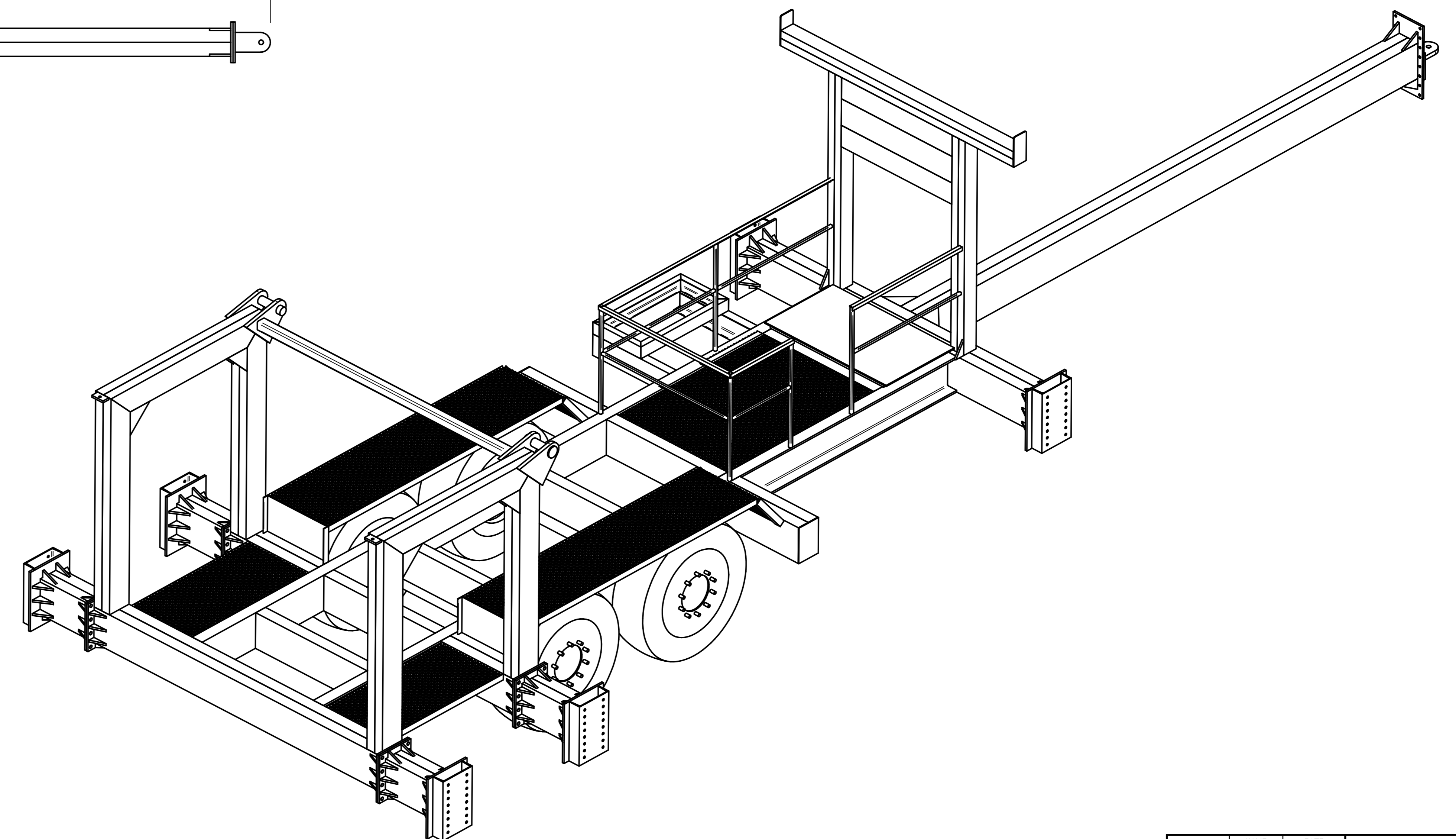
SIDE VIEW



BACK VIEW

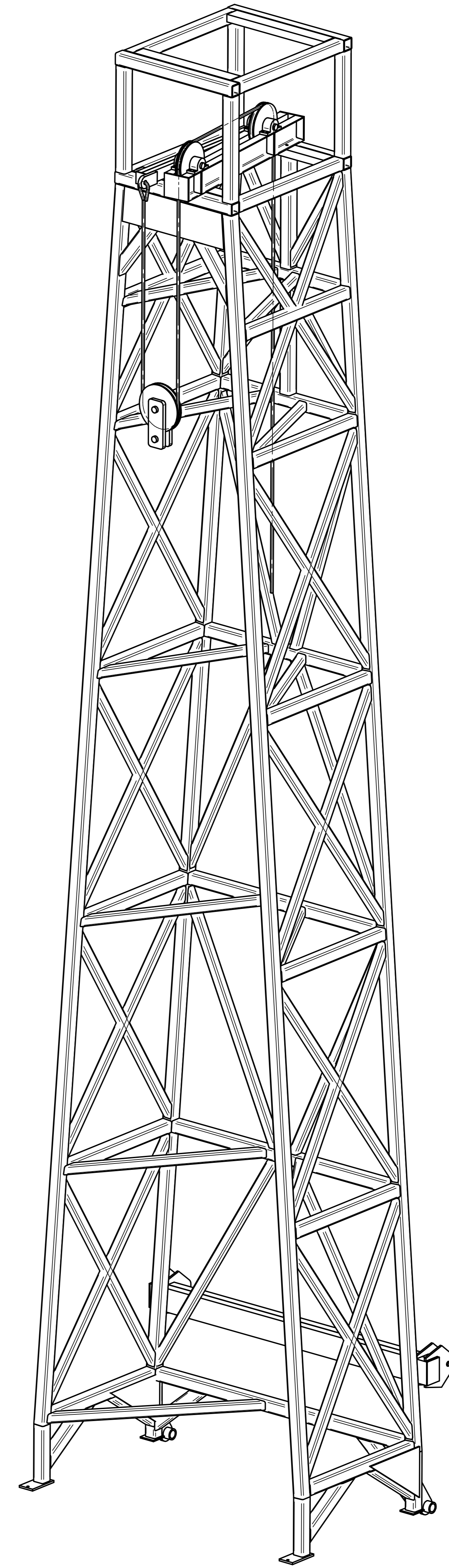
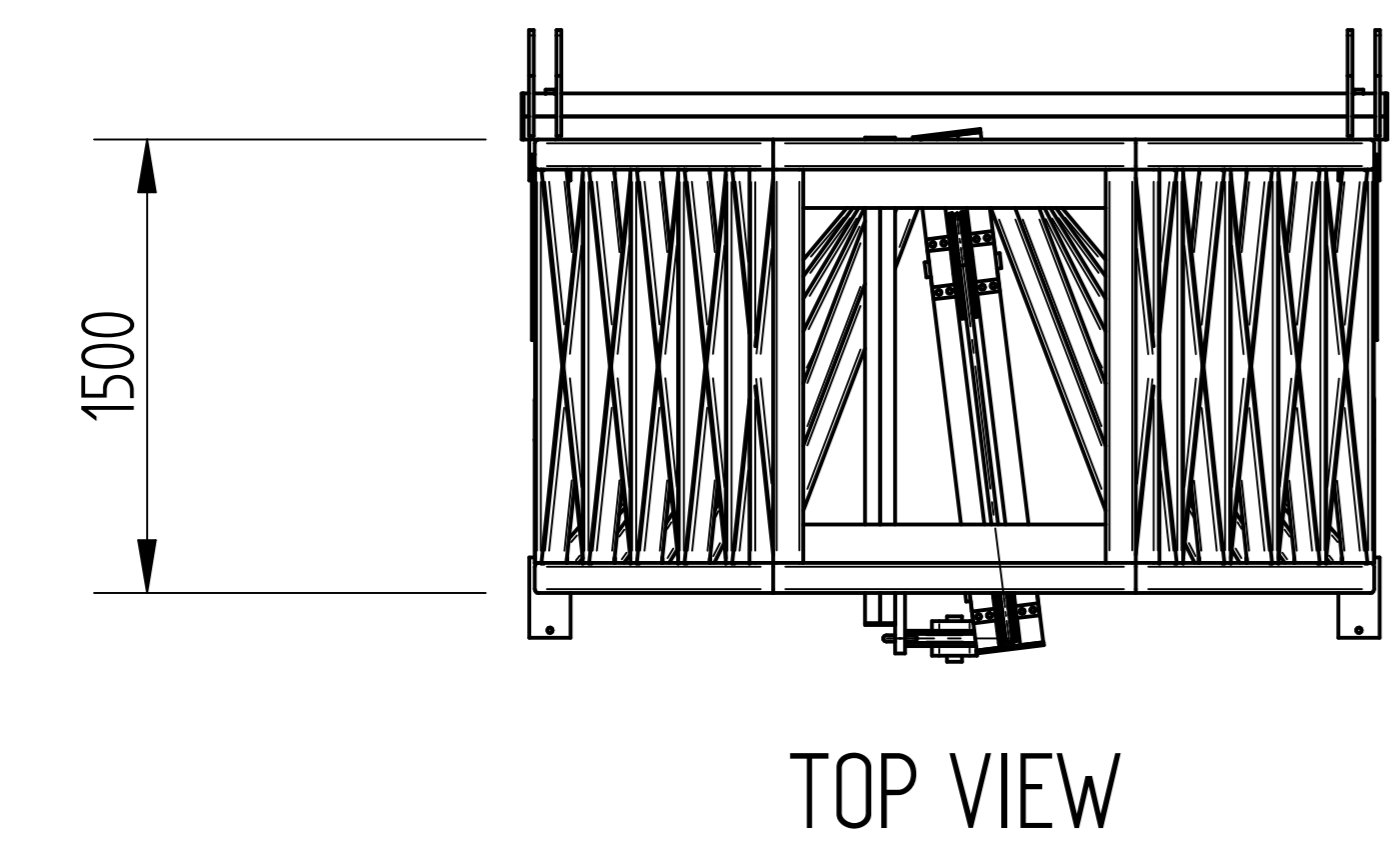
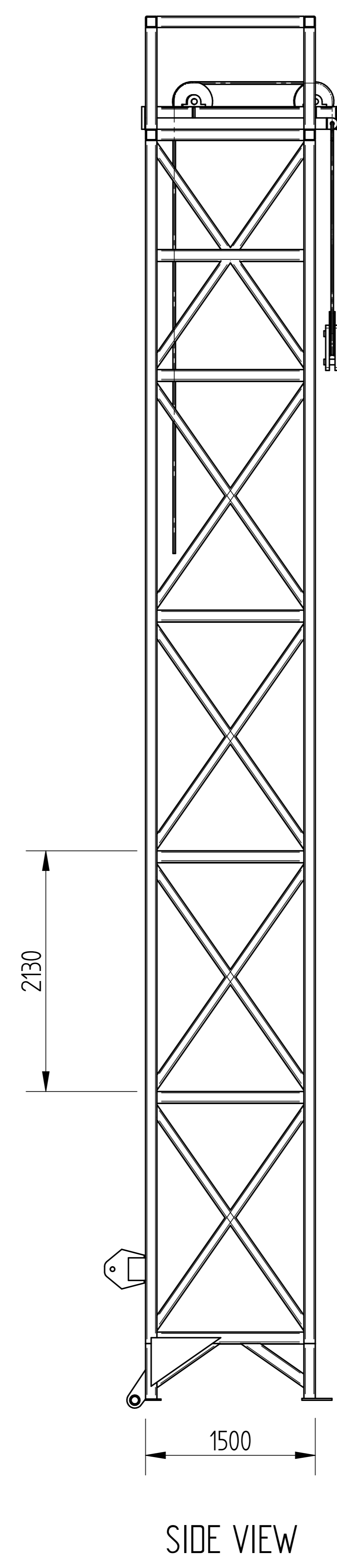
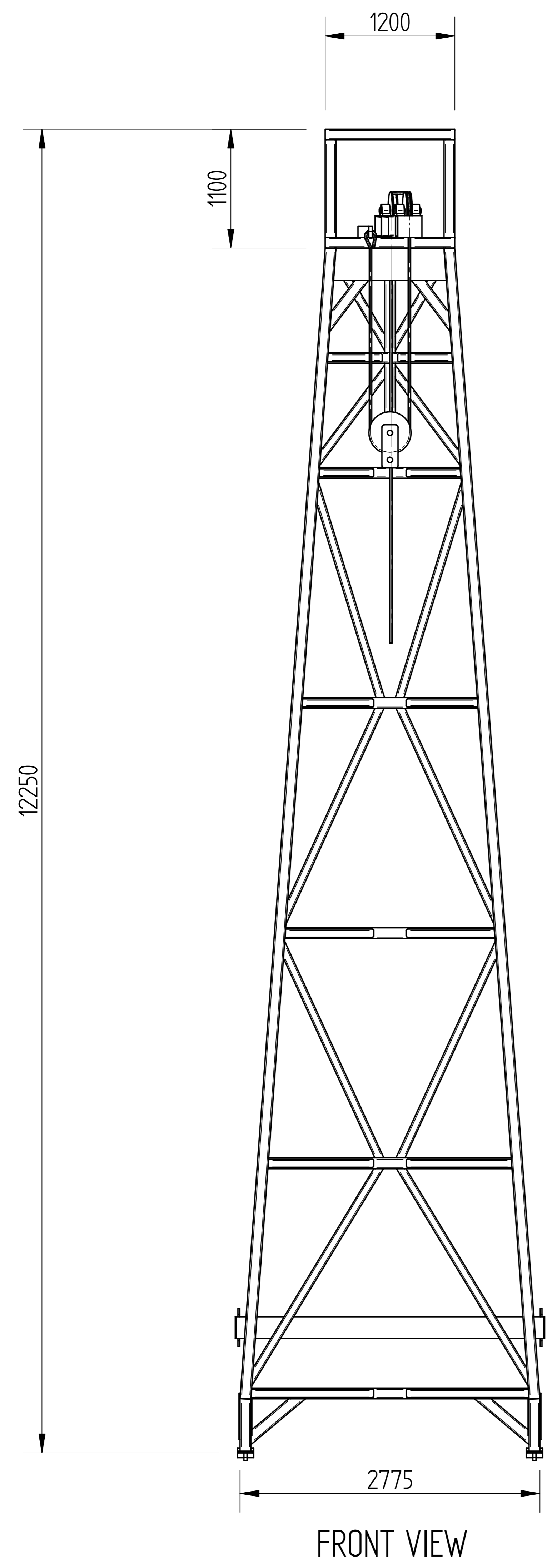


TOP VIEW



2500 CHASSIS  
2500-C-000

NAME	DATE	EQUAL CHANCE TRADING 50	
DRAWN: DLG	02/06/13	TITLE	2800 DRILL RIG
CHECKED:		SIZE	DWG NO 2800
ENG APPR:		AD	REV A
MGR APPR:		FILE NAME	2800 Drill Rig.dwg
UNLESS OTHERWISE SPECIFIED		SCALE	WEIGHT
DIMENSIONS ARE IN MILLIMETERS		SHEET 3 OF 4	
ANGLES = 0.1°			
2 PL = 0.02 3 PL = 0.005			



2800 DERRICK  
2800-D-000

NAME	DATE	TITLE	REV
DRAWN: DLG	02/06/13	2800 DRILL RIG	A
CHECKED:			
ENG APPR:			
MGR APPR:			
UNLESS OTHERWISE SPECIFIED: DIMENSIONS ARE IN MILLIMETERS ANGLES ±0.1°		SIZE: DWG NO: 2800 FILE NAME: 2800 Drill Rig.dwg	SCALE: WEIGHT: SHEET 4 OF 4