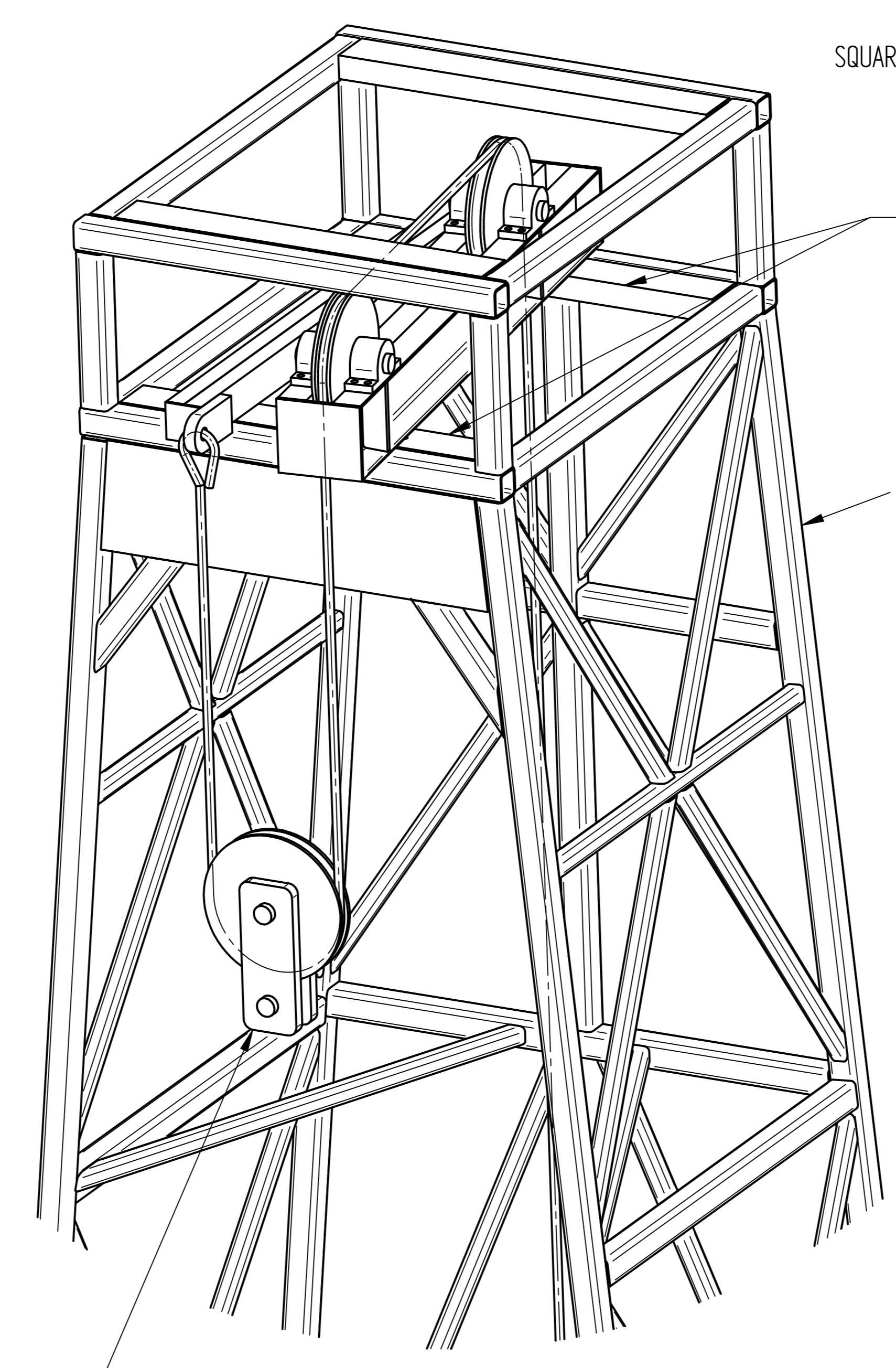
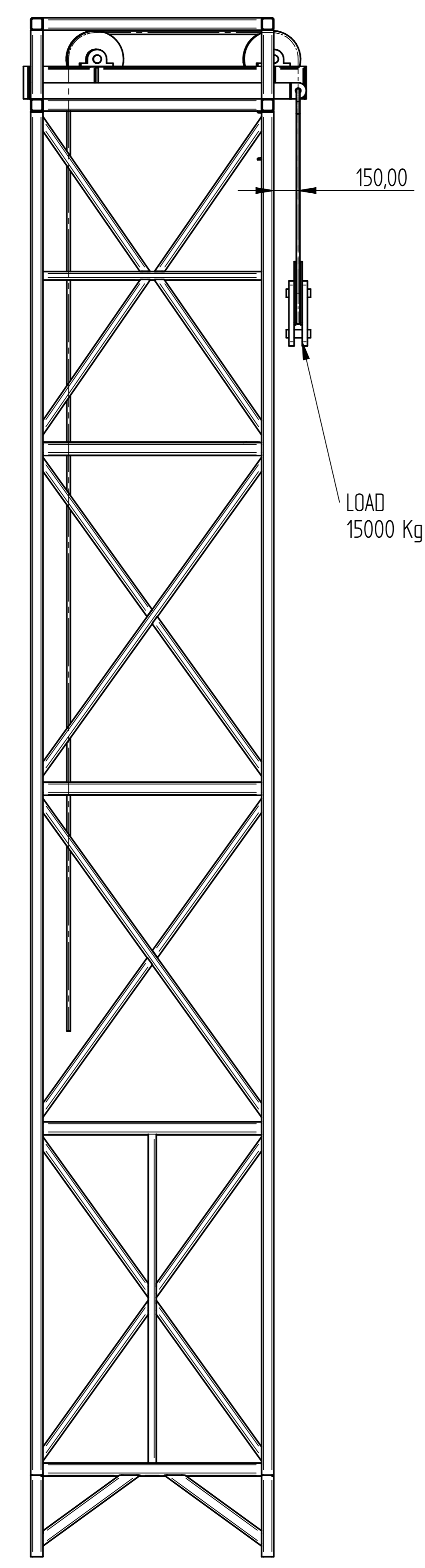
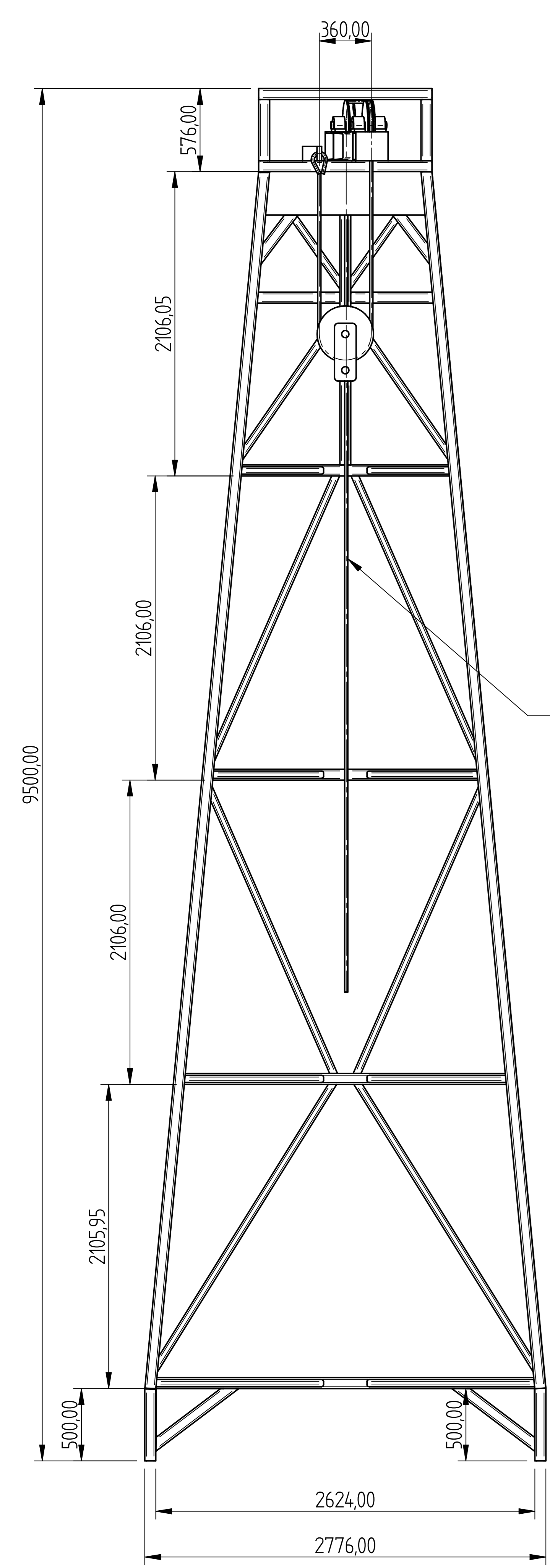
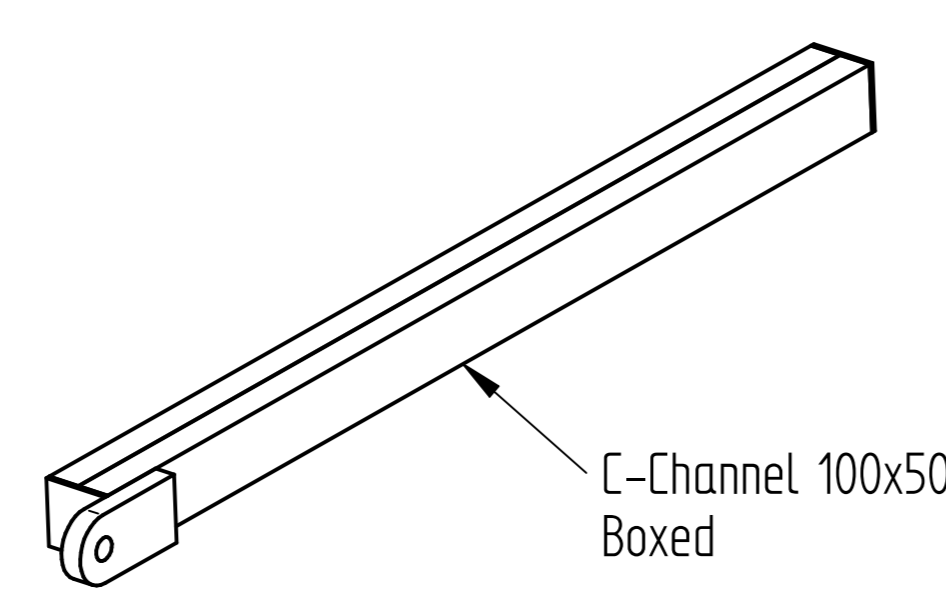
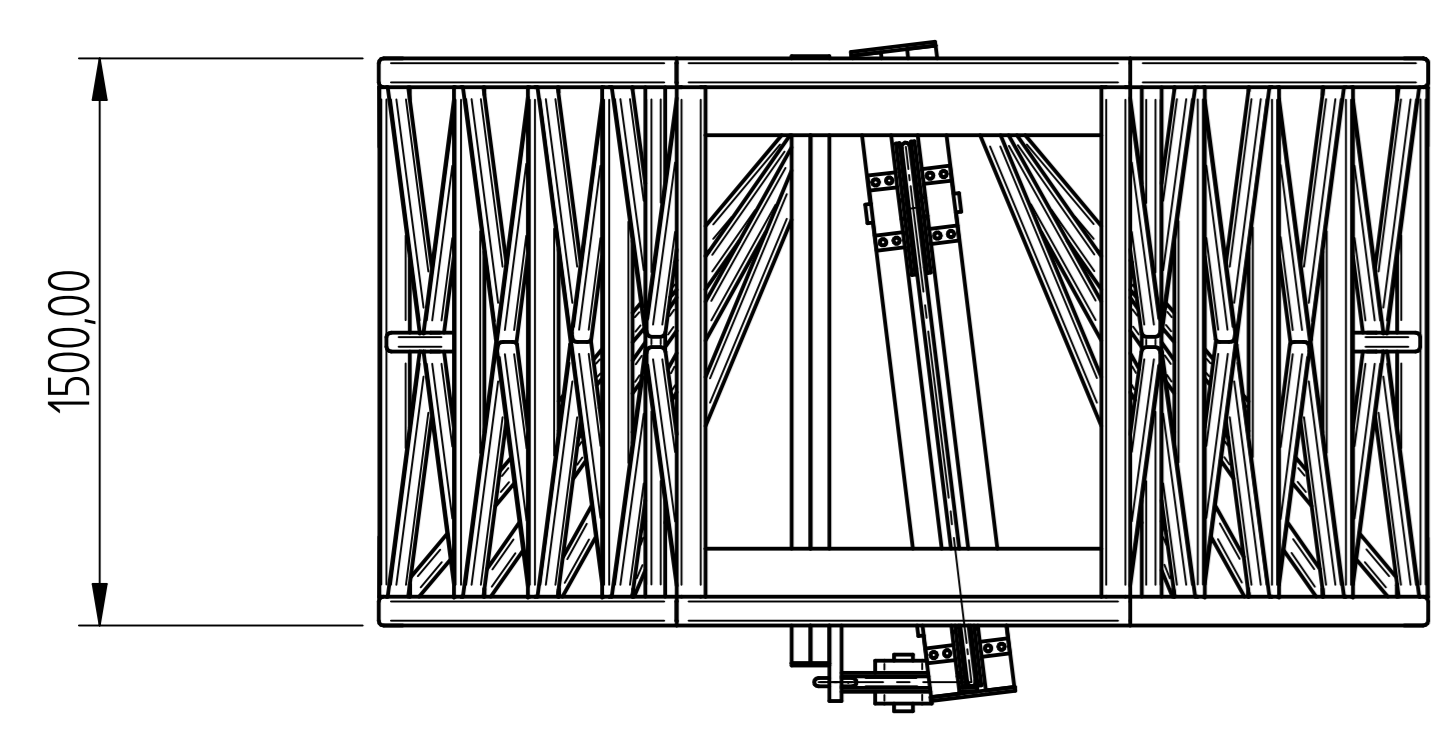
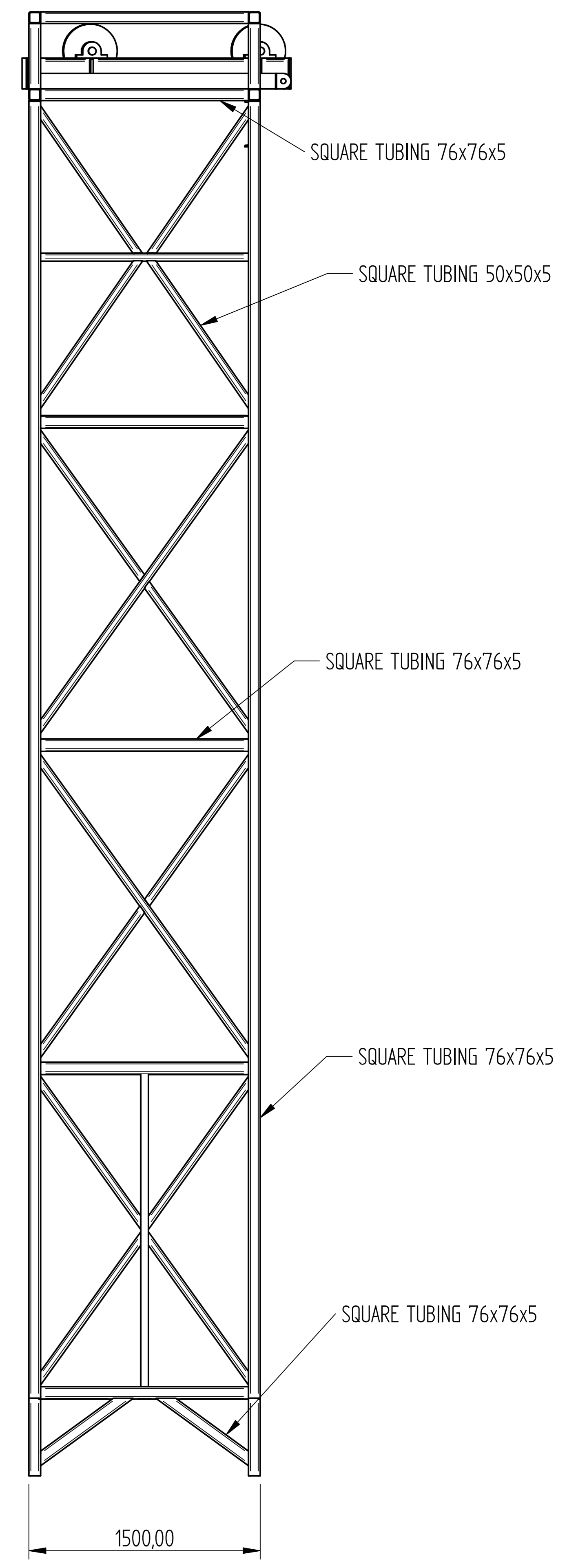
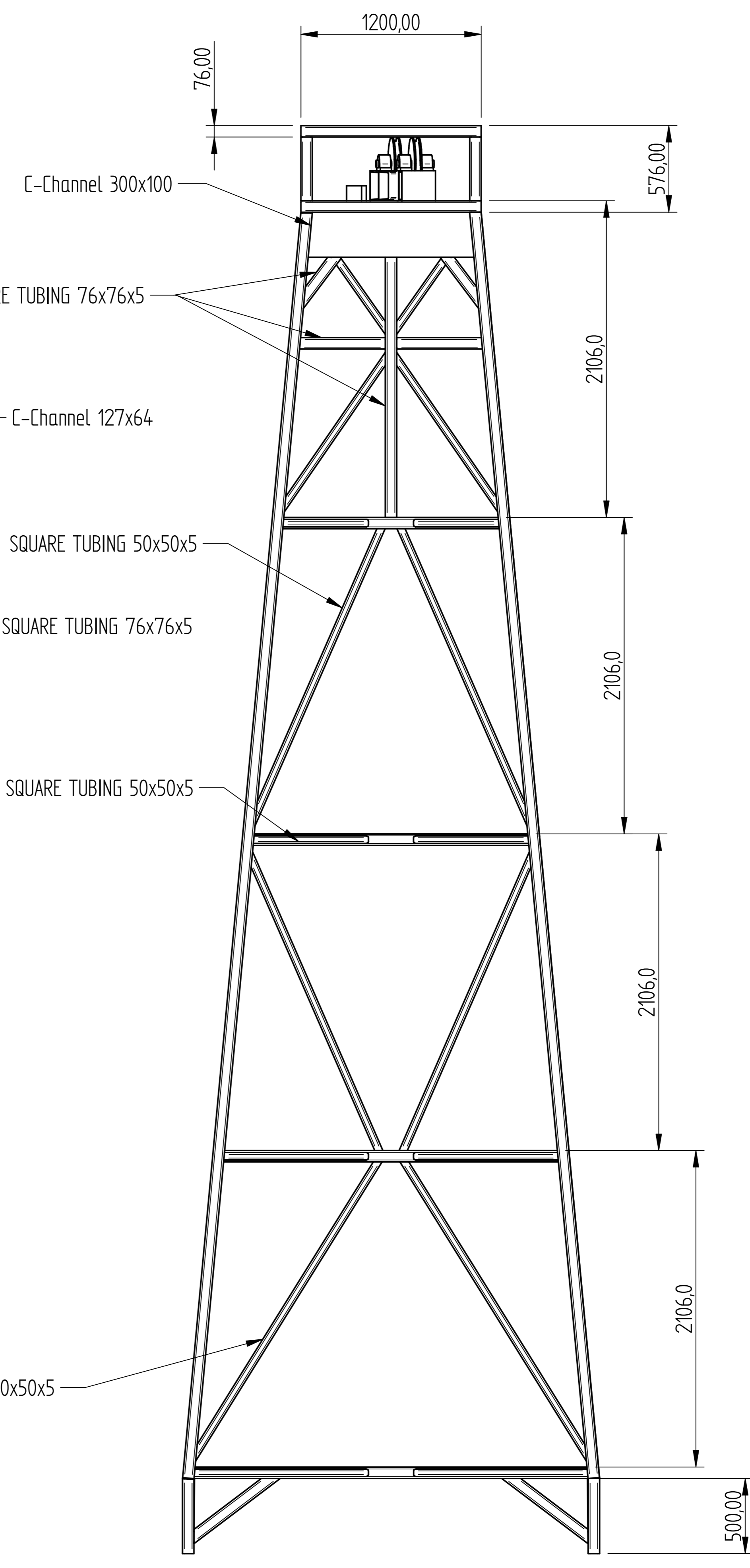


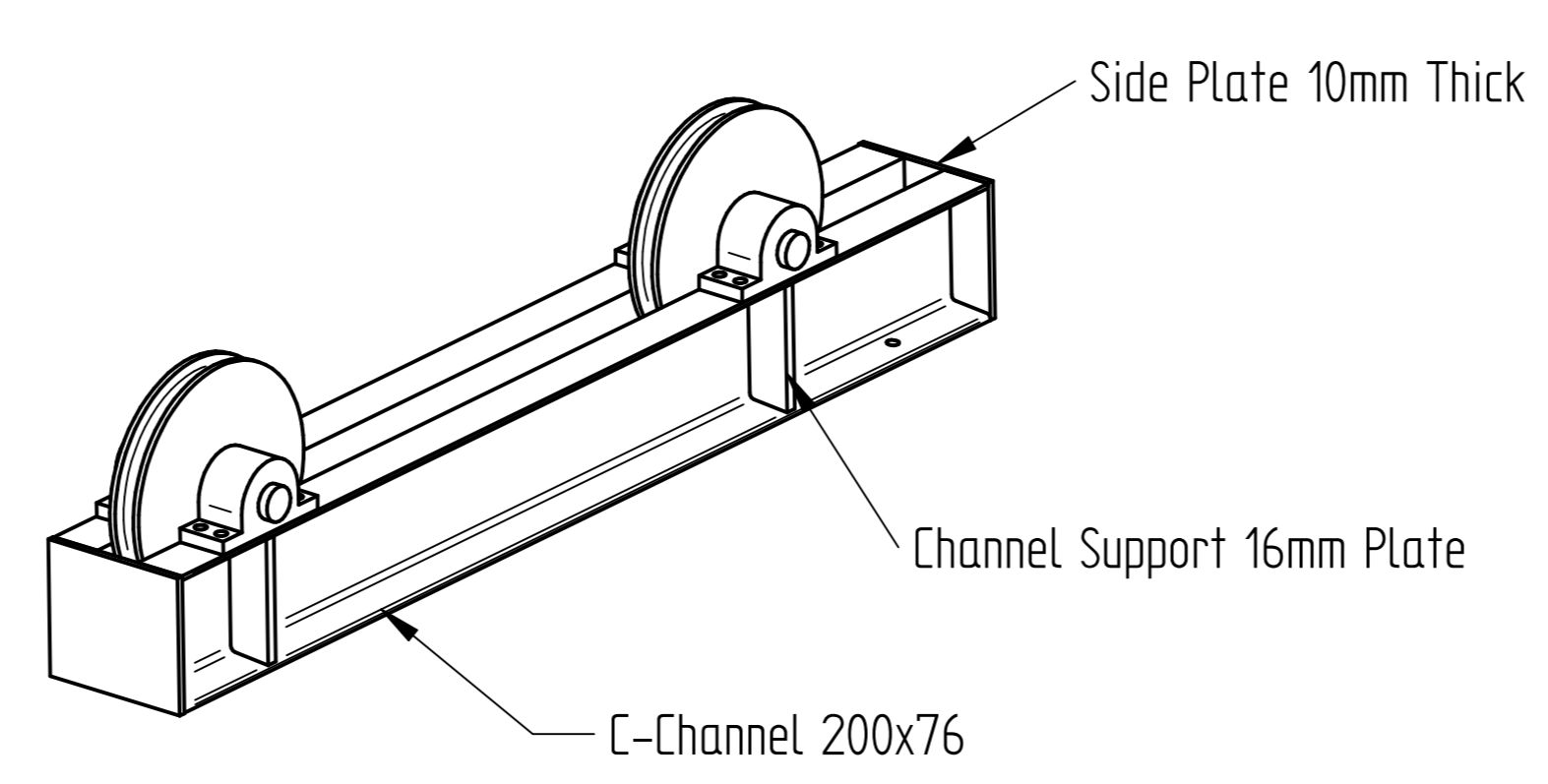
REVISION HISTORY			
REV	DESCRIPTION	DATE	APPROVED



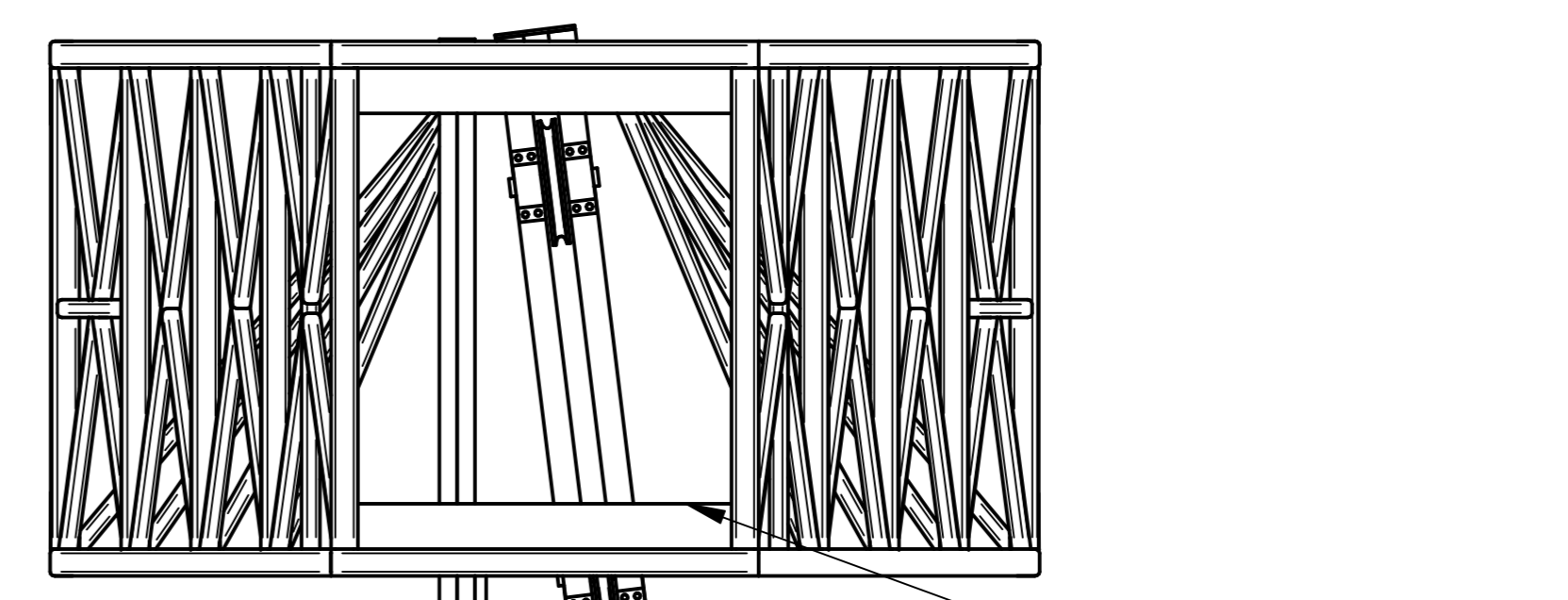
DETAIL A



DEAD MAN ARM



SHEAVE WHEEL BRACKET



DEAD MAN ARM SHEAVE WHEEL BRACKET

MATERIAL: SABS 1431 GRADE S355JR
ALL WELDING 10mm FILLET

NAME	DATE	EQUAL CHANCE TRADING 50	
DRAWN: DLG	07/28/13	TITLE	Derrick Frame 2500
APPROVED:		SCALE	2 PL +0.02 3 PL +0.005
MATERIAL:		FILE NAME	Derrick Frame 2500.dwg
TREATMENT:		SCALE	WEIGHT
UNLESS OTHERWISE SPECIFIED DIMENSIONS ARE IN MILLIMETERS		SCALE	SHEET 2 OF 2
ANGLES ±0.1°			