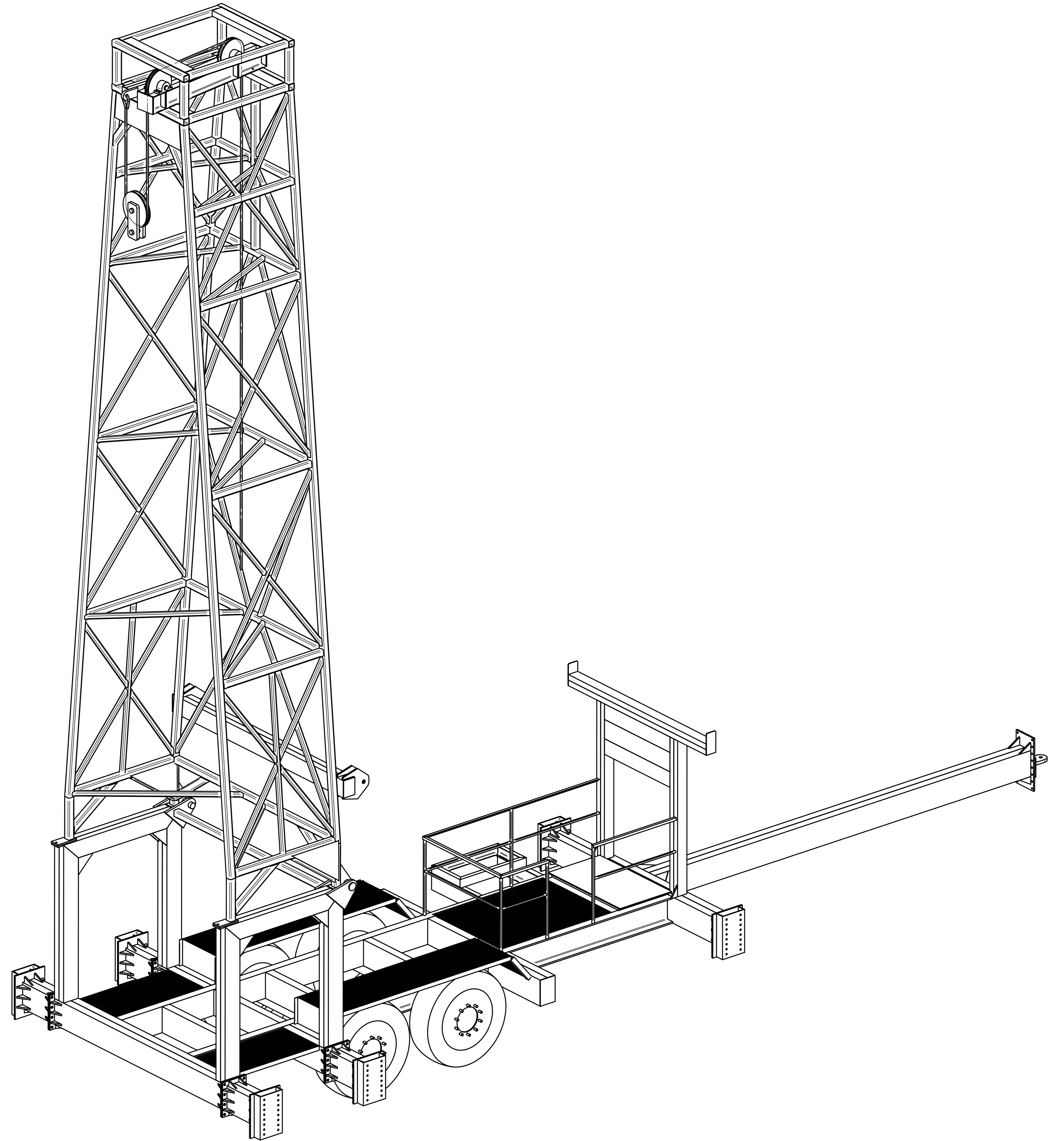
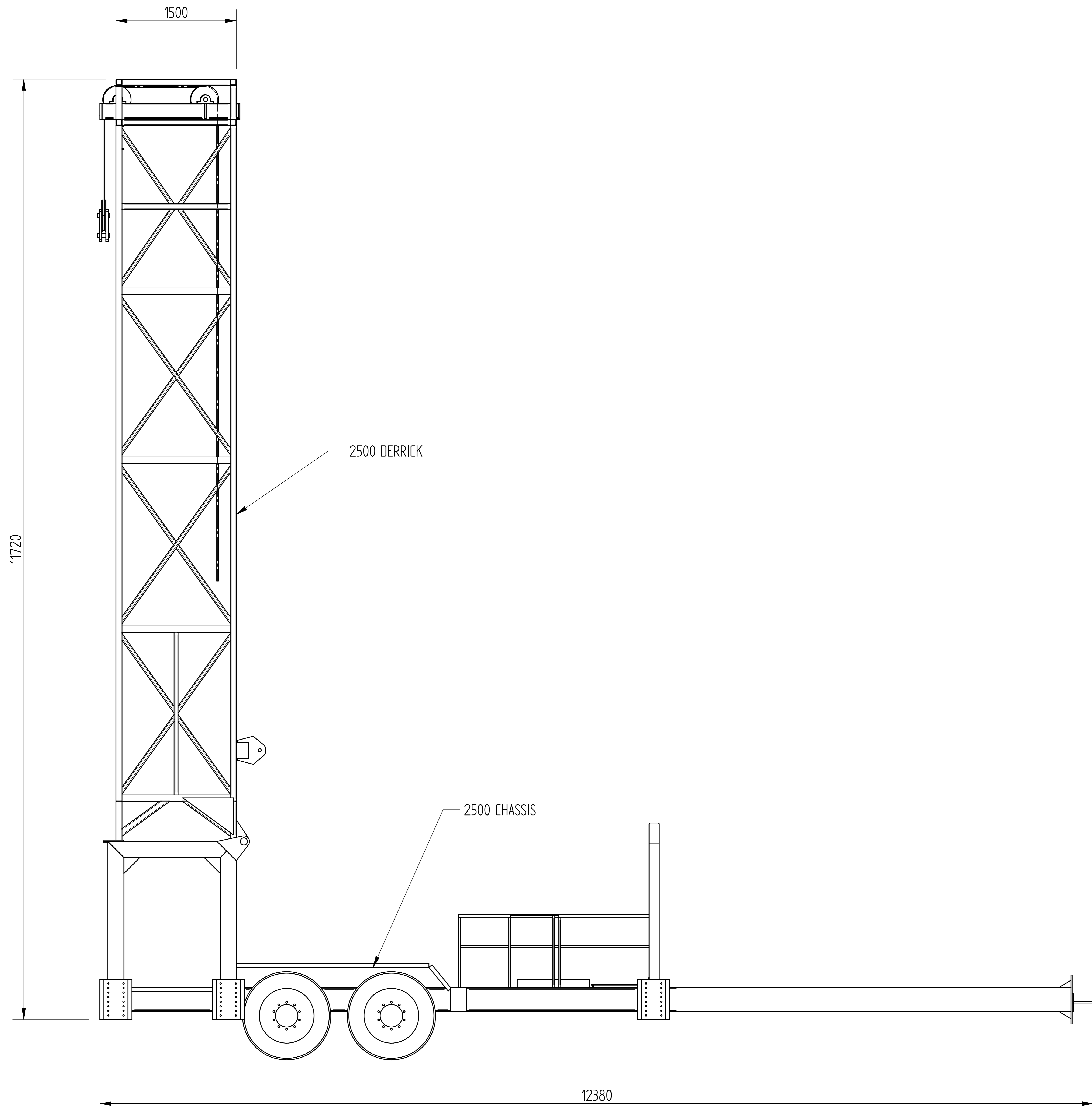


2500 DRILL RIG
DERRICK DOWN



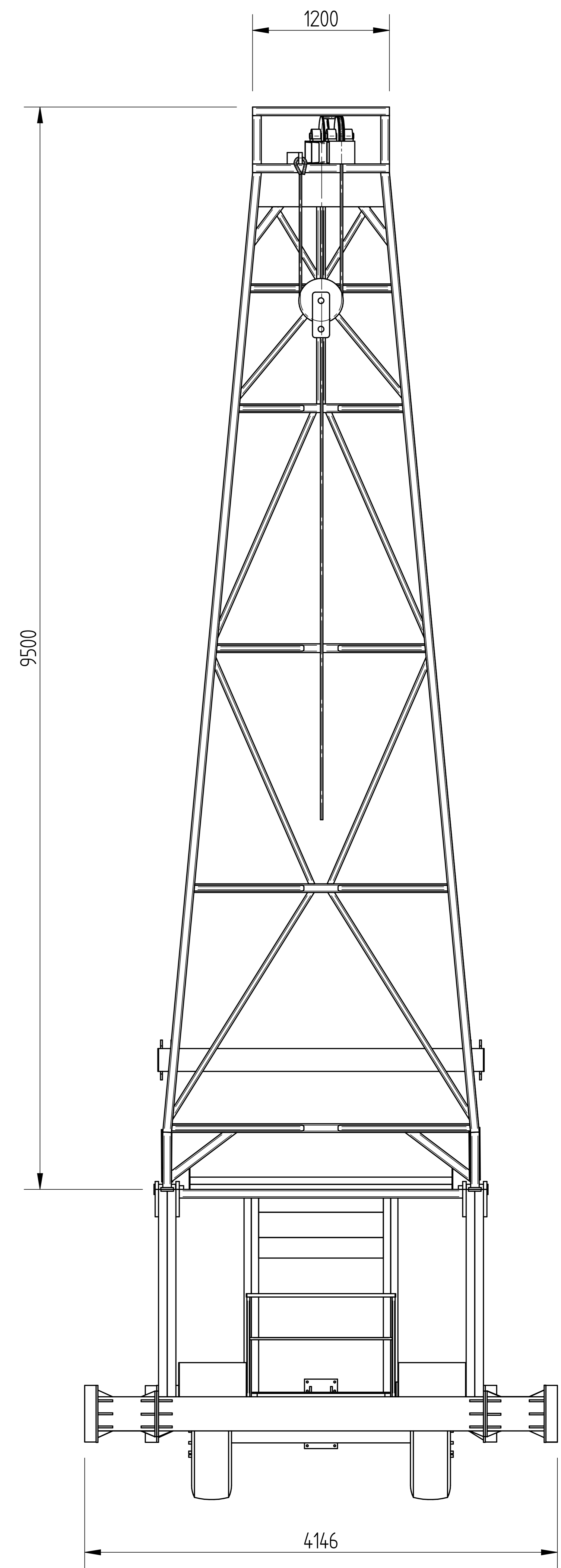
2500 DRILL RIG
DERRICK UP

NAME	DATE	EQUAL CHANCE TRADING 50	
DRAWN: D.L.G.	02/06/13	TITLE	2500 DRILL RIG
CHECKED:		SIZE	DWG NO. 2500
ENG APPR:		REV	A
MGR APPR:		FILE NAME	2500 Drill Rig.dwg
UNLESS OTHERWISE SPECIFIED		SCALE	WEIGHT
DIMENSIONS ARE IN MILLIMETERS		SHEET 1 OF 4	
ANGLES = 0.1°			
2 PL. ±0.02 3 PL. ±0.005			



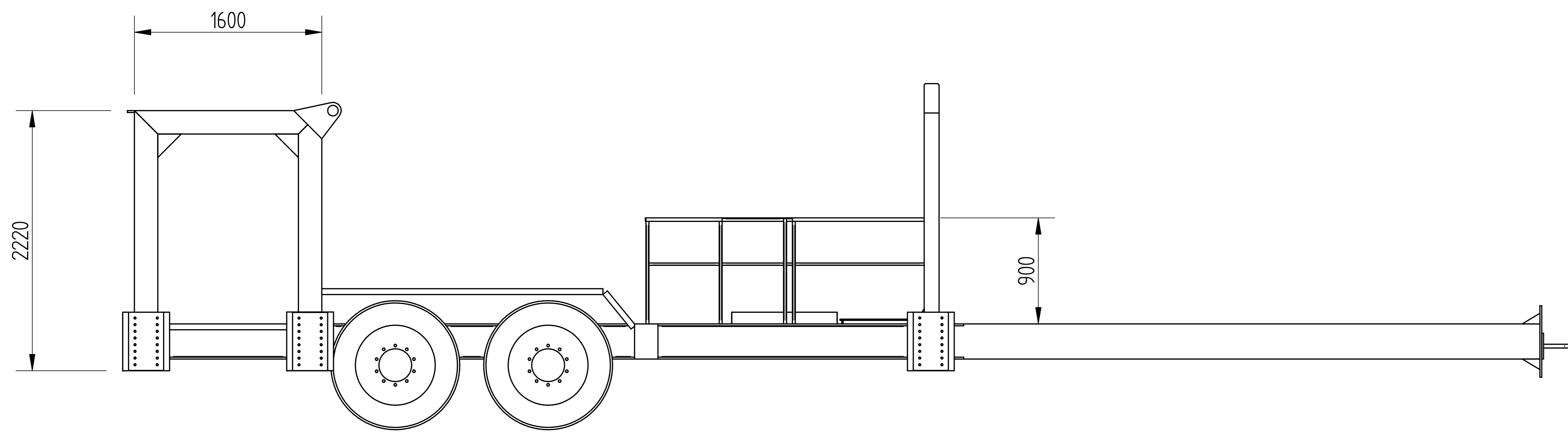
SIDE VIEW

2500 DRILL RIG

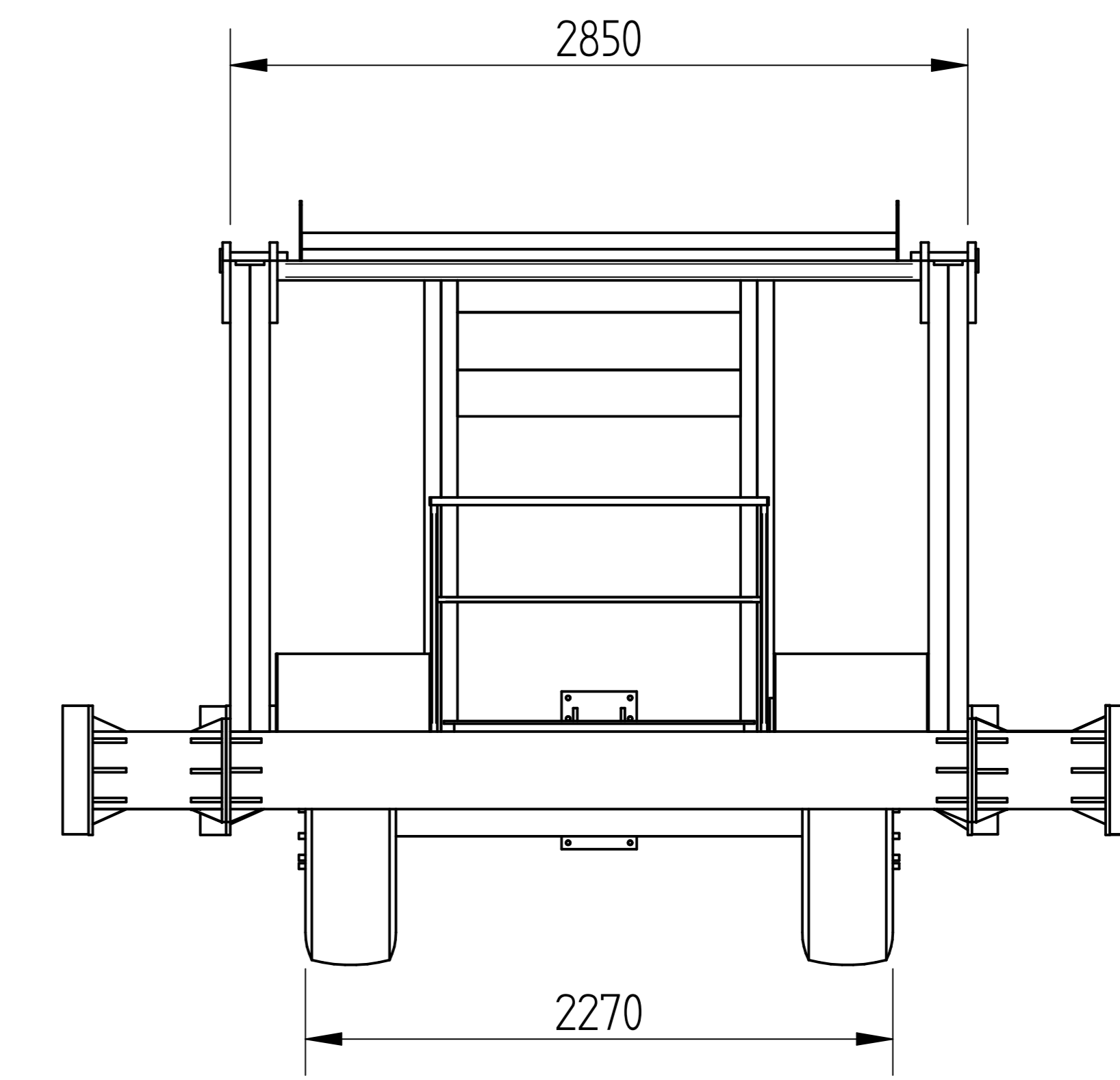


BACK VIEW

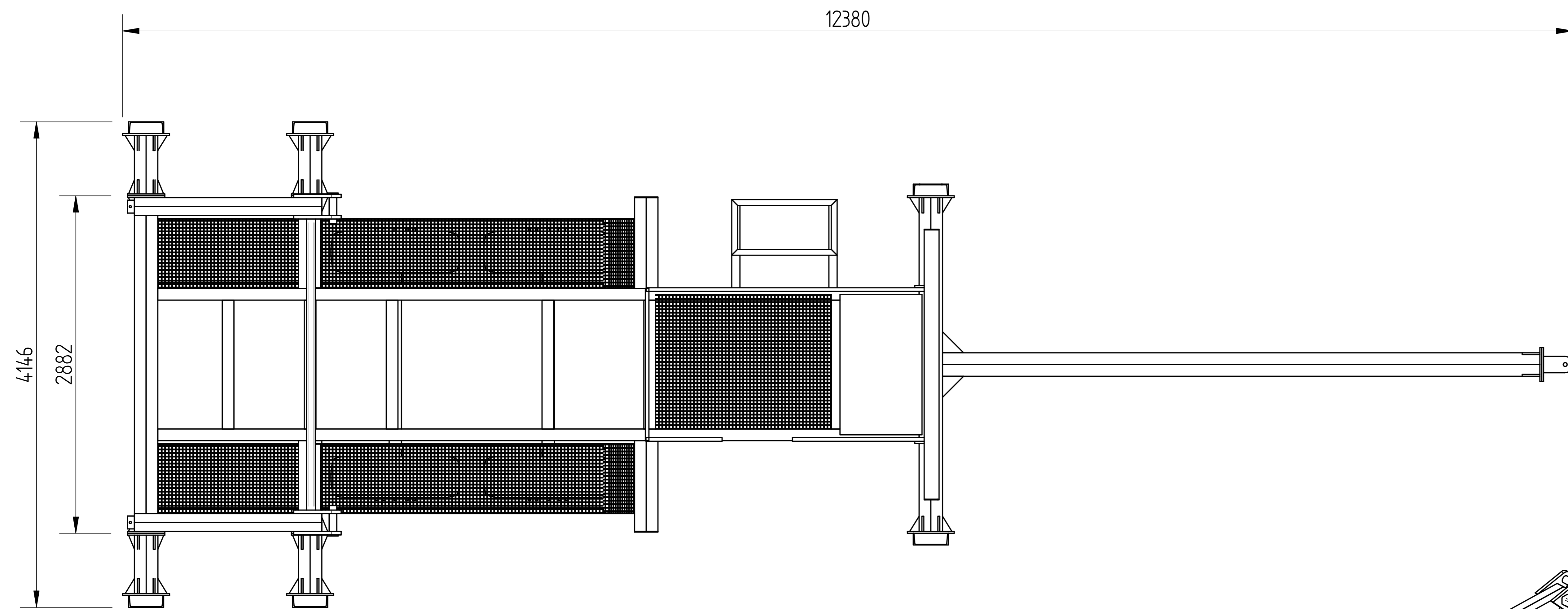
NAME	DATE	TITLE	REV
DRAWN: DLG	02/06/13	EQUAL CHANCE TRADING 50	
CHECKED:			
ENG APPR:		2500 DRILL RIG	
MGR APPR:			
UNLESS OTHERWISE SPECIFIED: DIMENSIONS ARE IN MILLIMETERS		SIZE: DWG NO: 2500	REV: A
ANGLES: ±0.1°		FILE NAME: 2500 Drill Rig.dwg	
2 PL: ±0.02 3 PL: ±0.005		SCALE: WEIGHT:	SHEET 2 OF 4



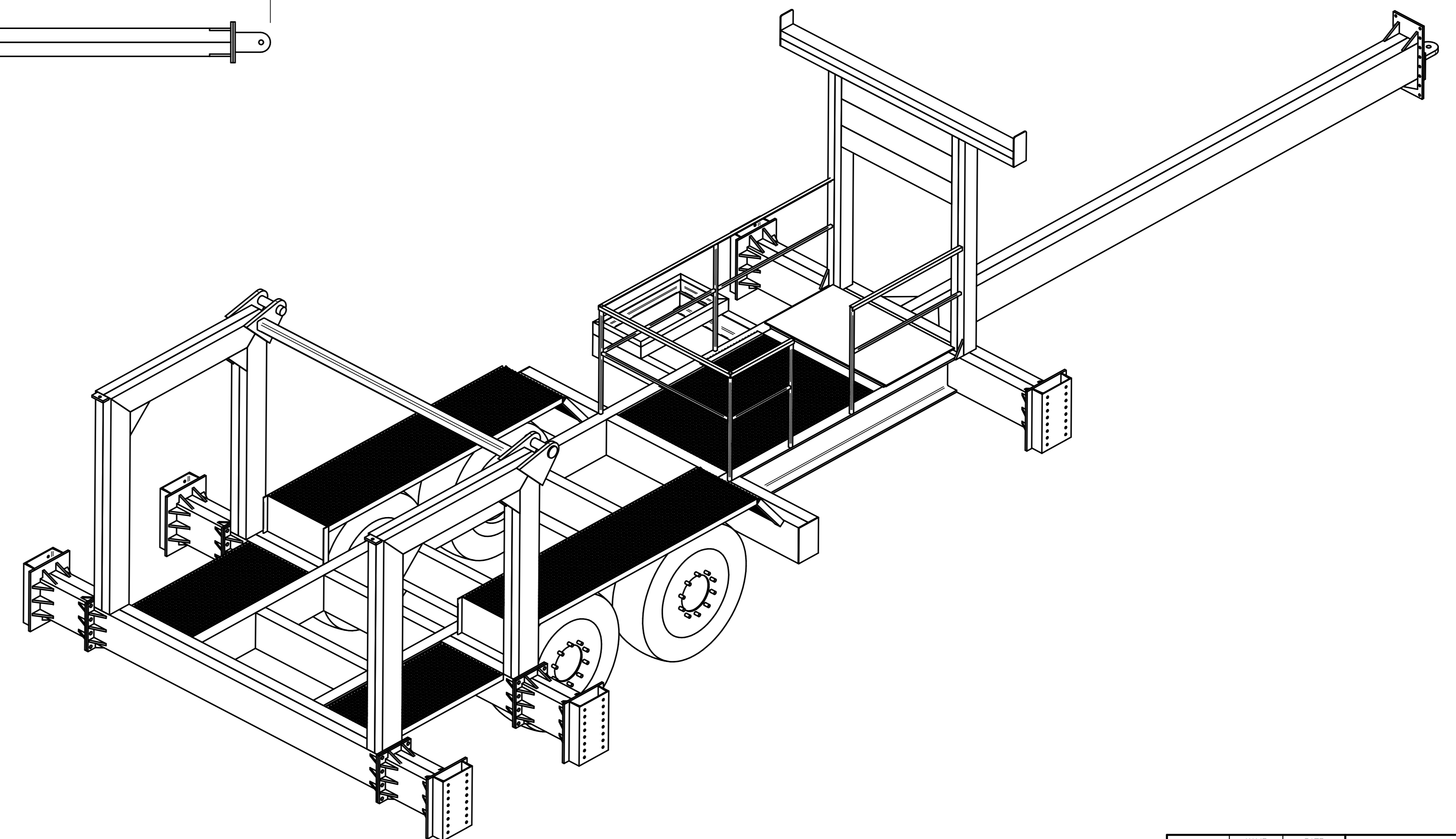
SIDE VIEW



BACK VIEW

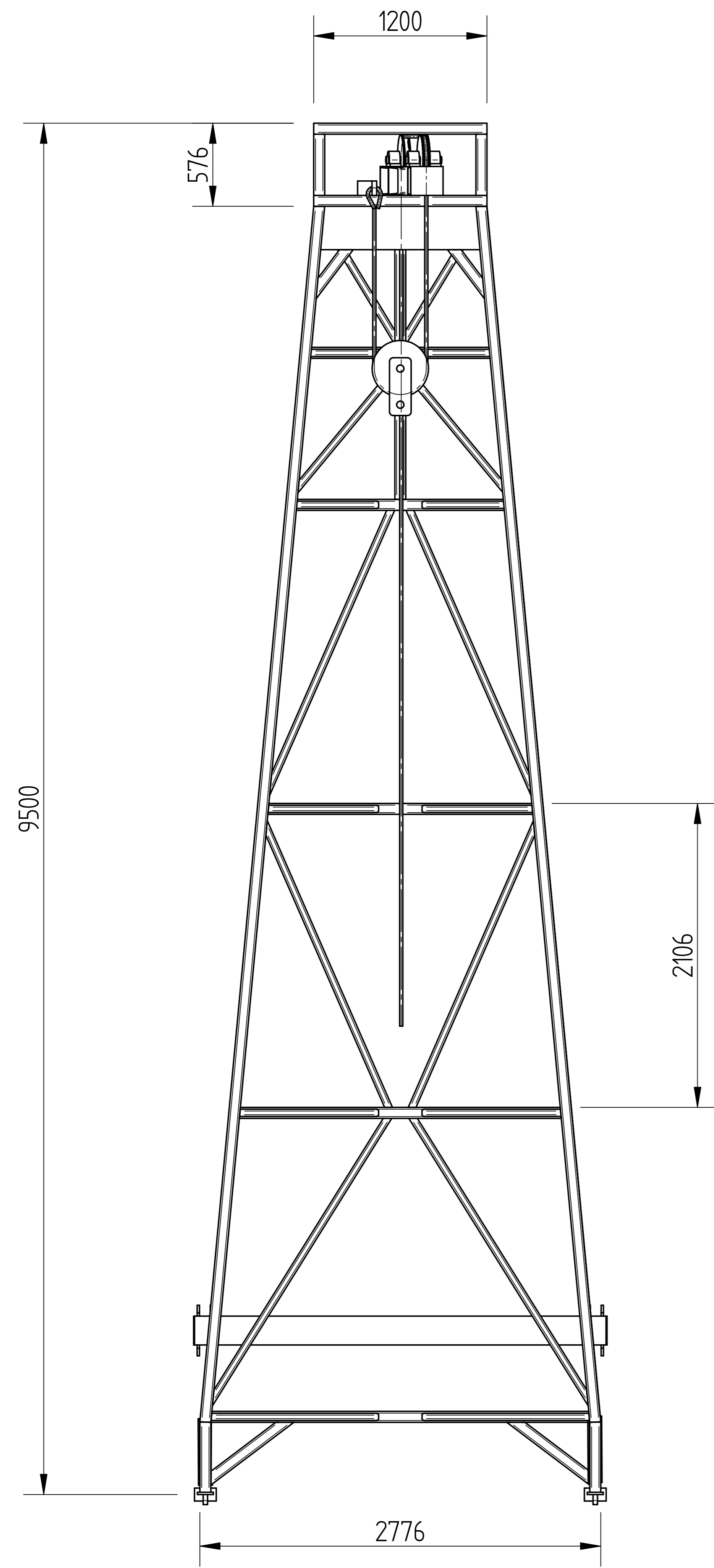


TOP VIEW

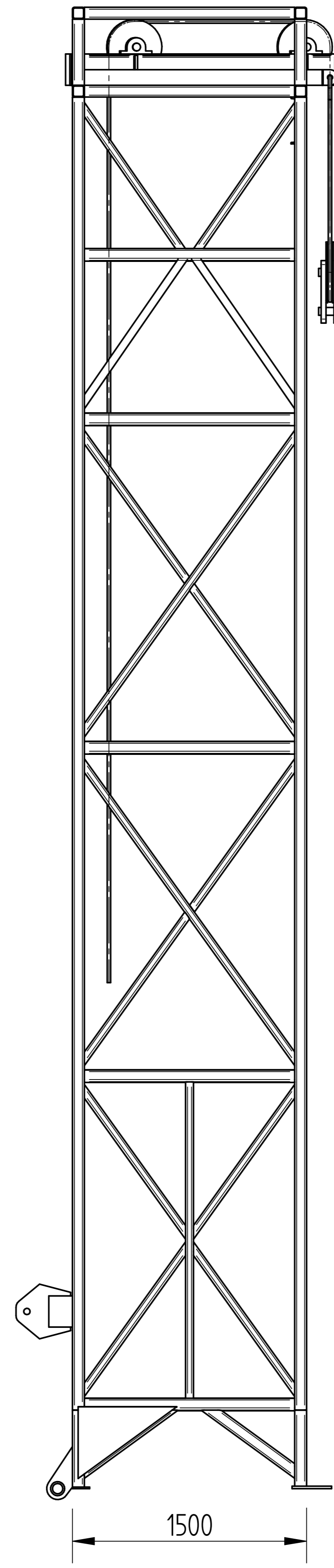


2500 CHASSIS
2500-C-000

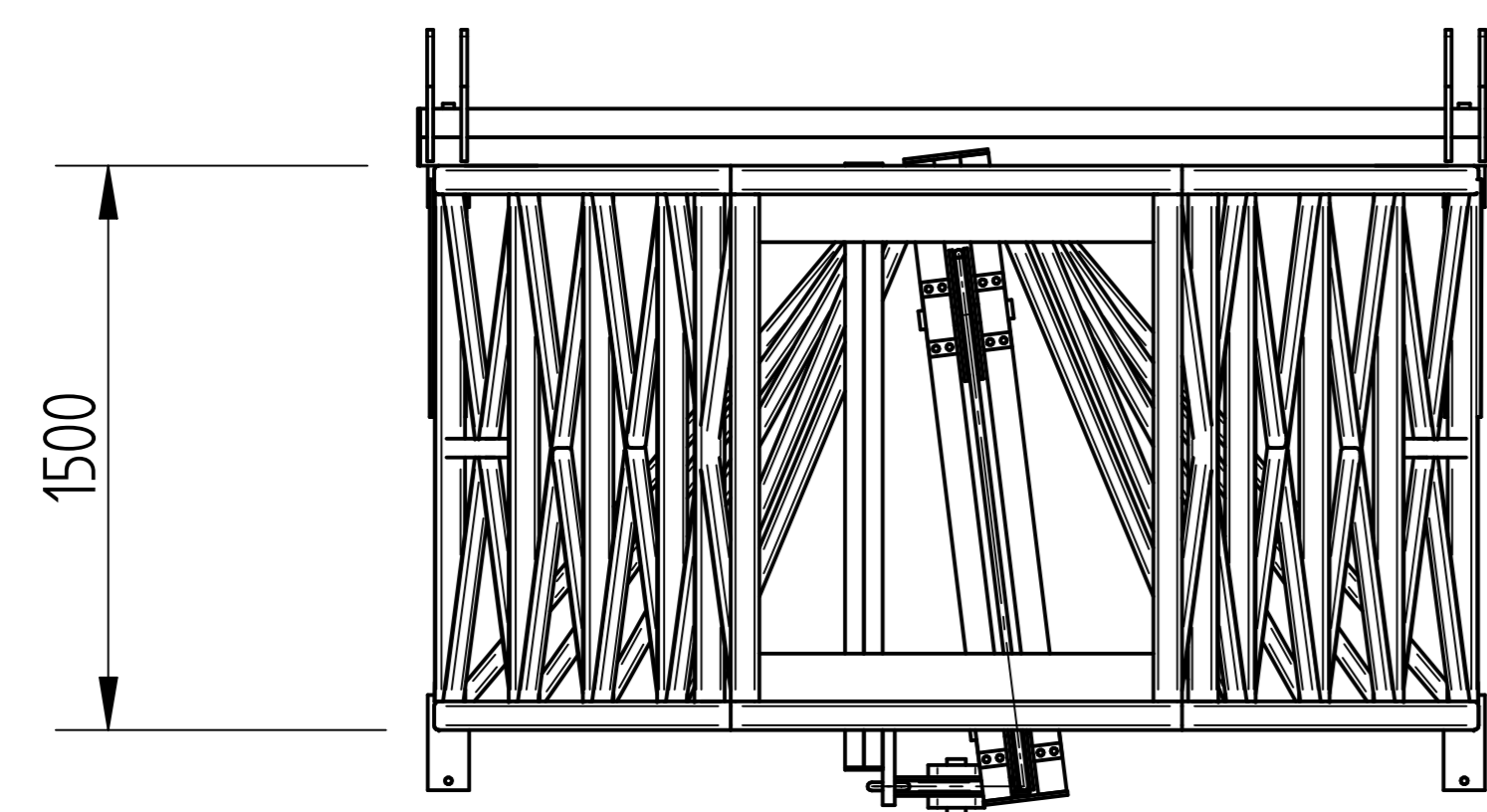
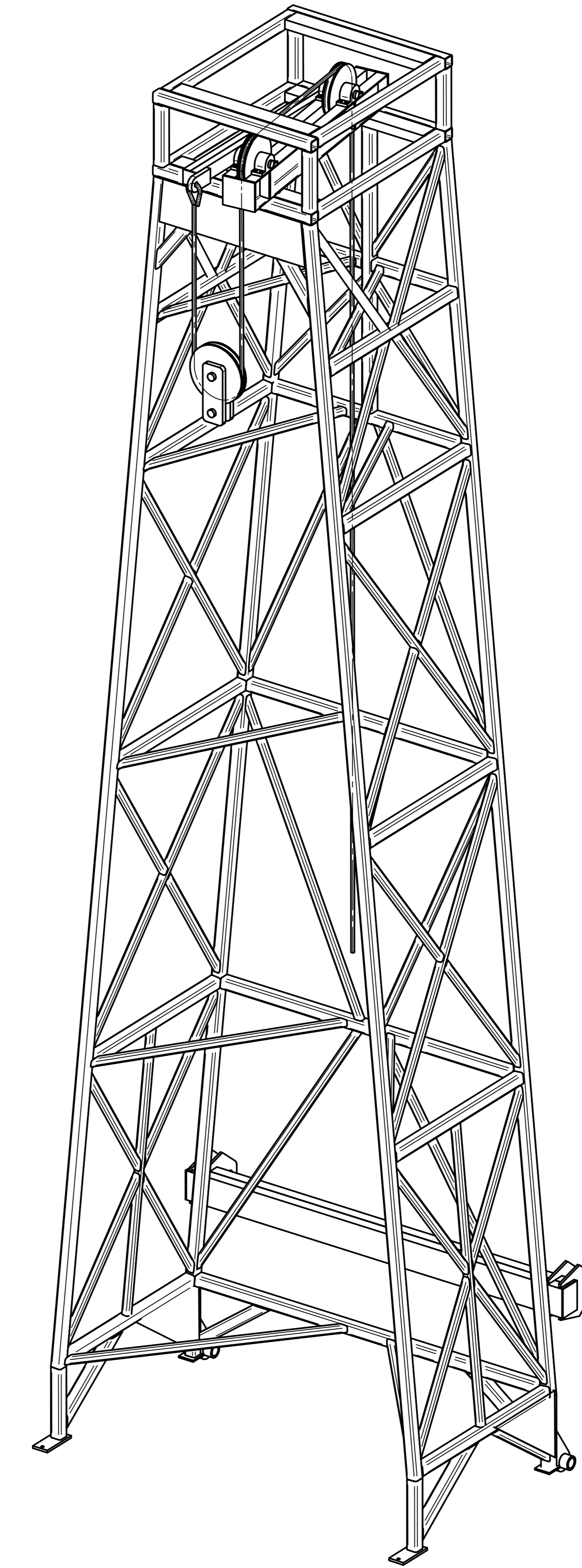
NAME	DATE	TITLE	REV
DRAWN: DLG	02/06/13	EQUAL CHANCE TRADING 50	
CHECKED:			
ENG APPR:		2500 DRILL RIG	
MGR APPR:			
UNLESS OTHERWISE SPECIFIED: DIMENSIONS ARE IN MILLIMETERS		SIZE: DWG NO: 2500	REV: A
ANGLES: ±0.1°		FILE NAME: 2500 Drill Rig.dwg	
2 PL: ±0.02 3 PL: ±0.005		SCALE:	WEIGHT:
			SHEET 3 OF 4



FRONT VIEW



SIDE VIEW



TOP VIEW

2500 DERRICK
2500-D-000

DRAWN	NAME	DATE	EQUAL CHANCE TRADING 50		
CHECKED	D.L.G.	02/06/13	TITLE		
ENG APPR			2500 DRILL RIG		
MGR APPR			SIZE	DWG NO	REV
UNLESS OTHERWISE SPECIFIED			AD	2500	A
DIMENSIONS ARE IN MILLIMETERS			FILE NAME: 2500 Drill Rig.dwg		
ANGLES = 90°			SCALE	WEIGHT	SHEET 4 OF 4
2 PL = 0.02 3 PL = 0.005					