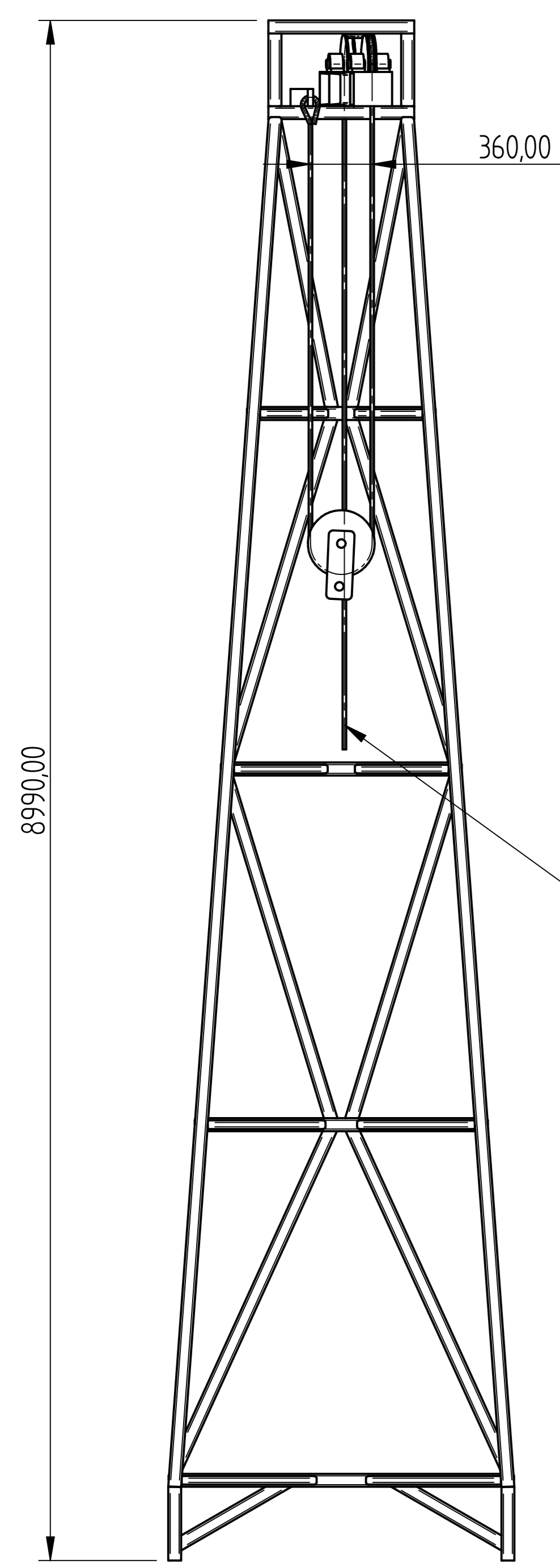
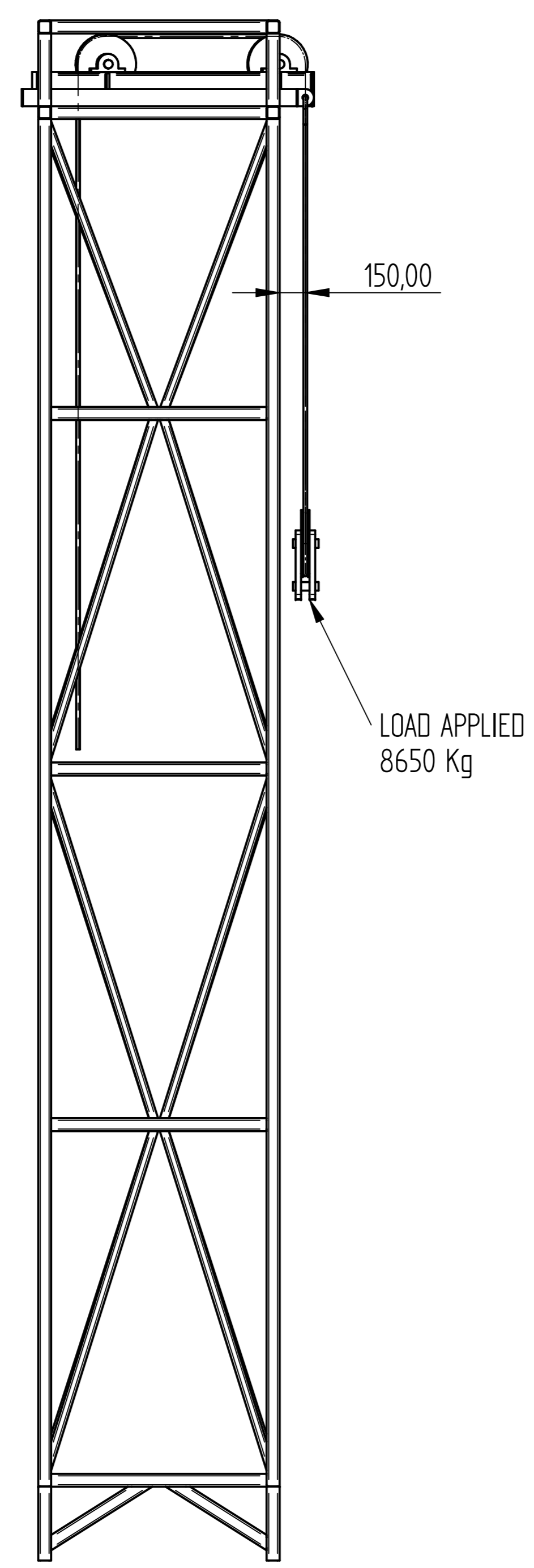


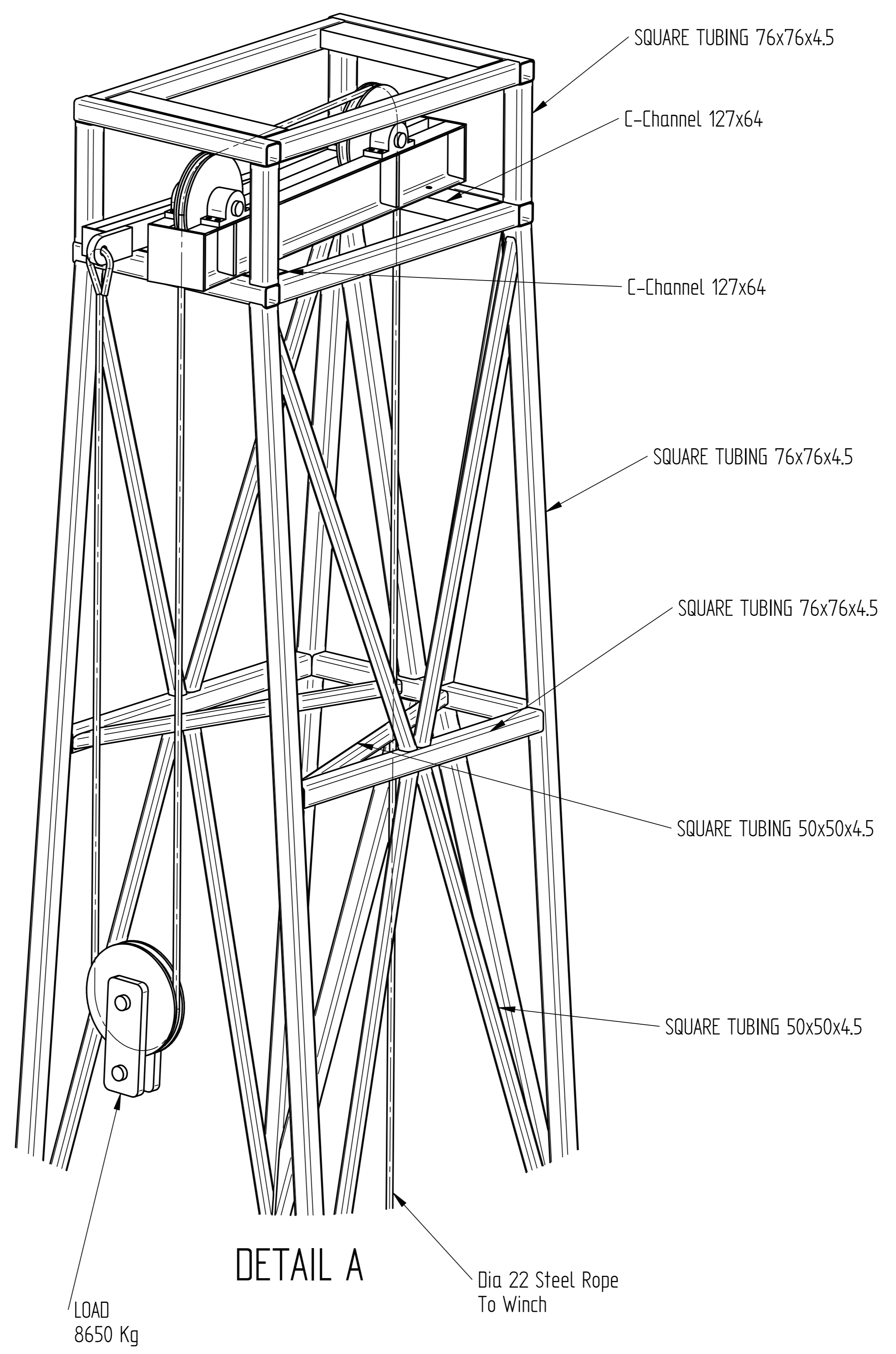
REVISION HISTORY			
REV	DESCRIPTION	DATE	APPROVED



STEEL ROPE TO WINCH

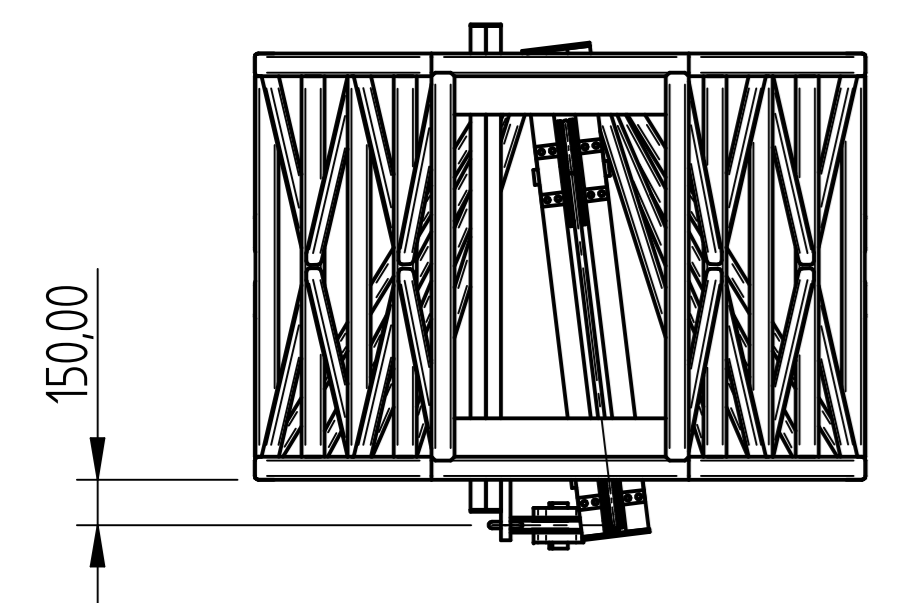
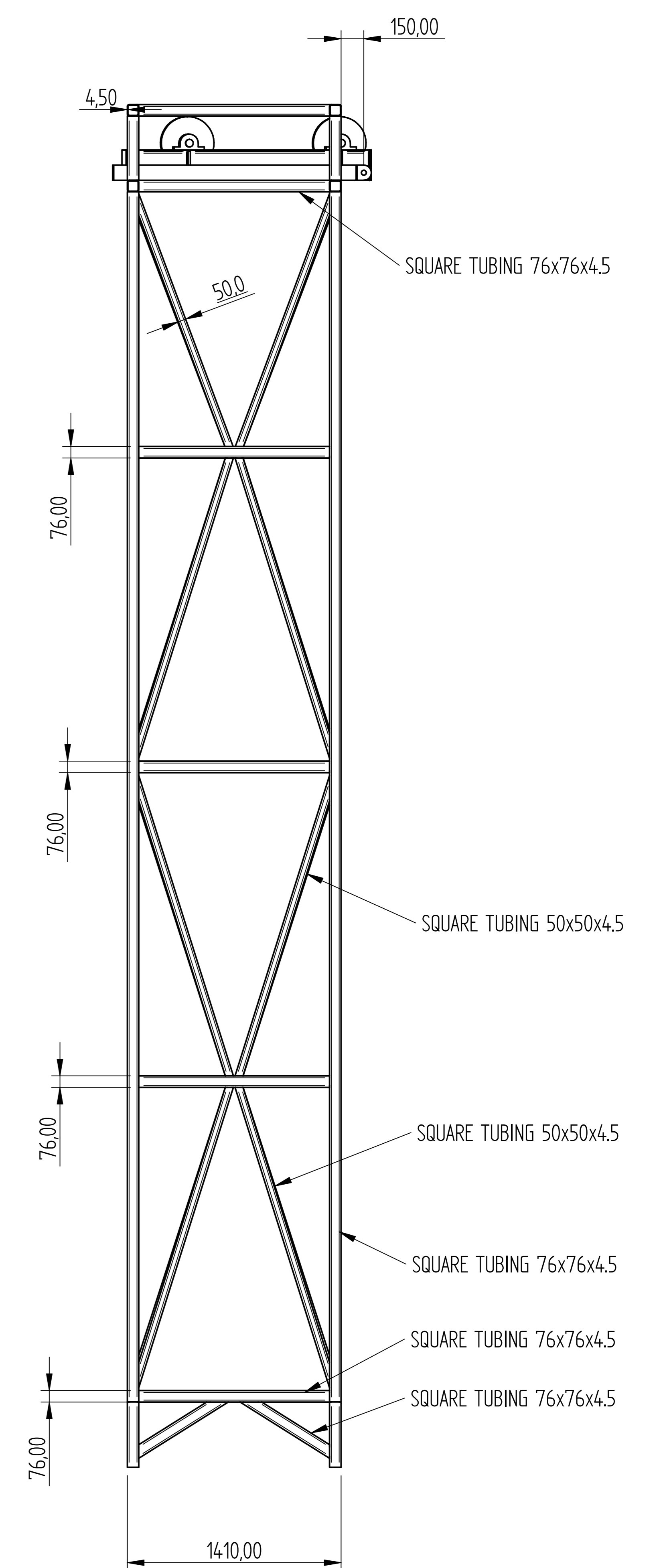
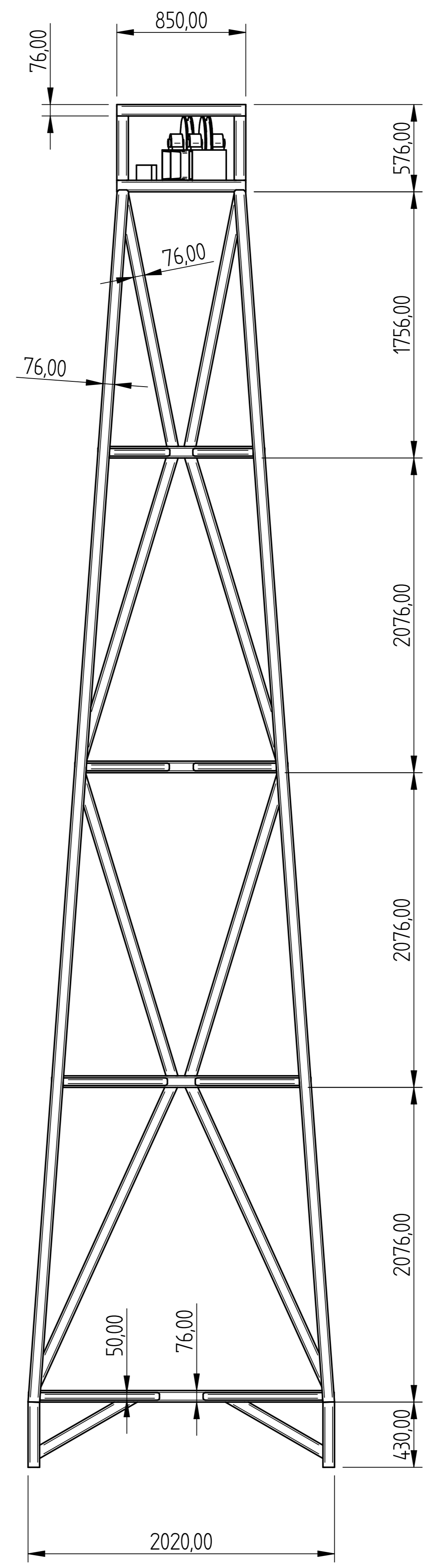


LOAD APPLIED 8650 Kg

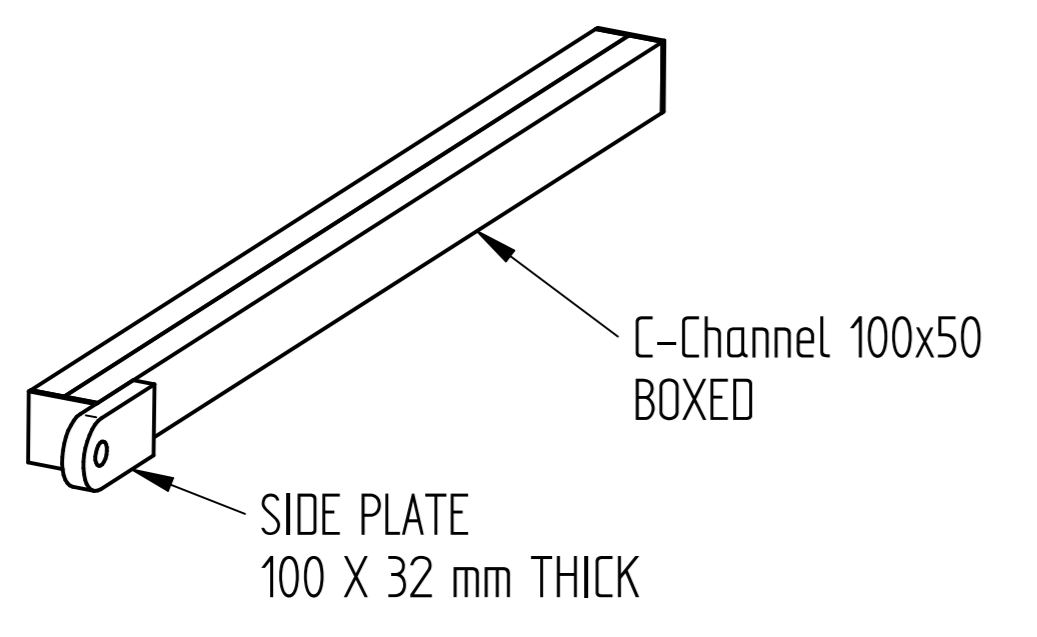


DETAIL A

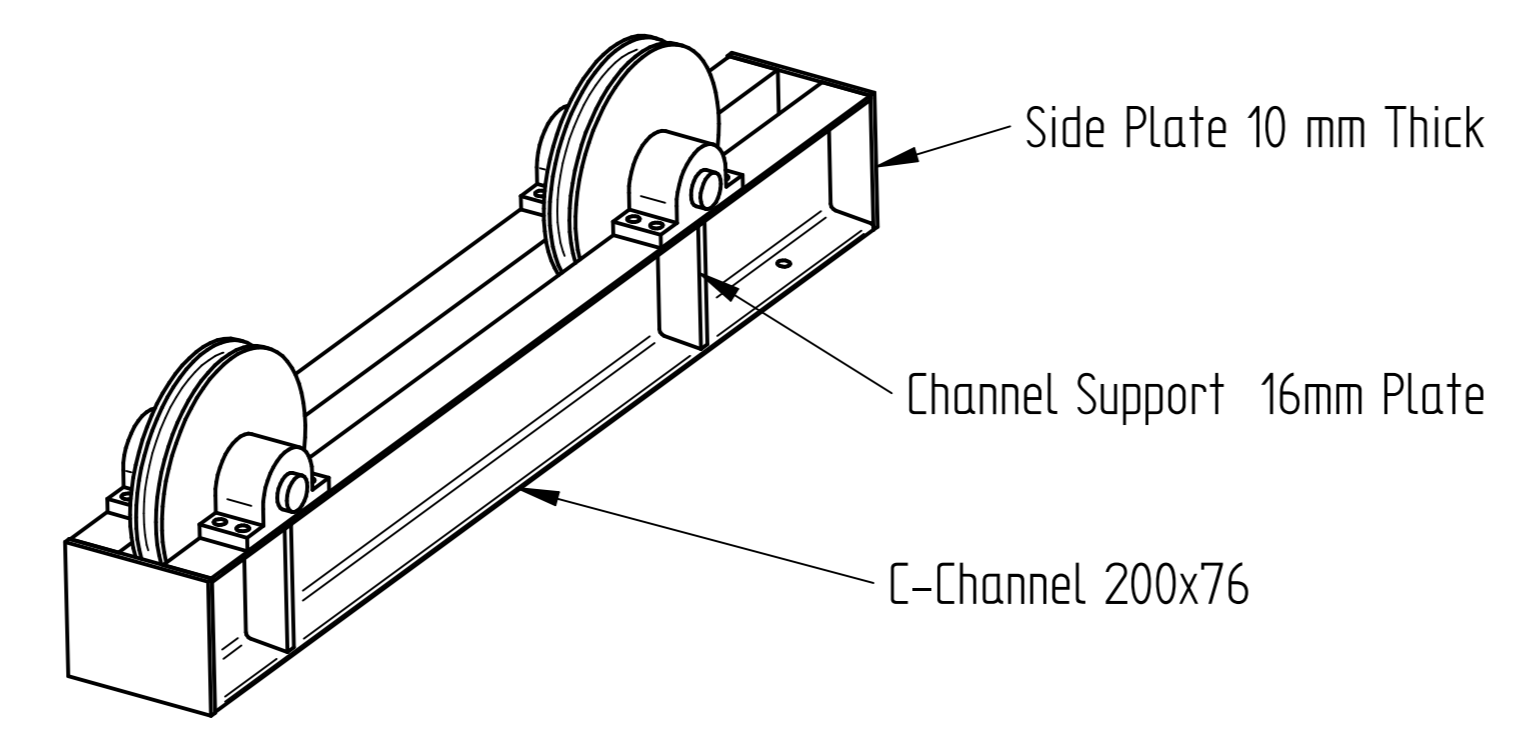
Dia 22 Steel Rope To Winch



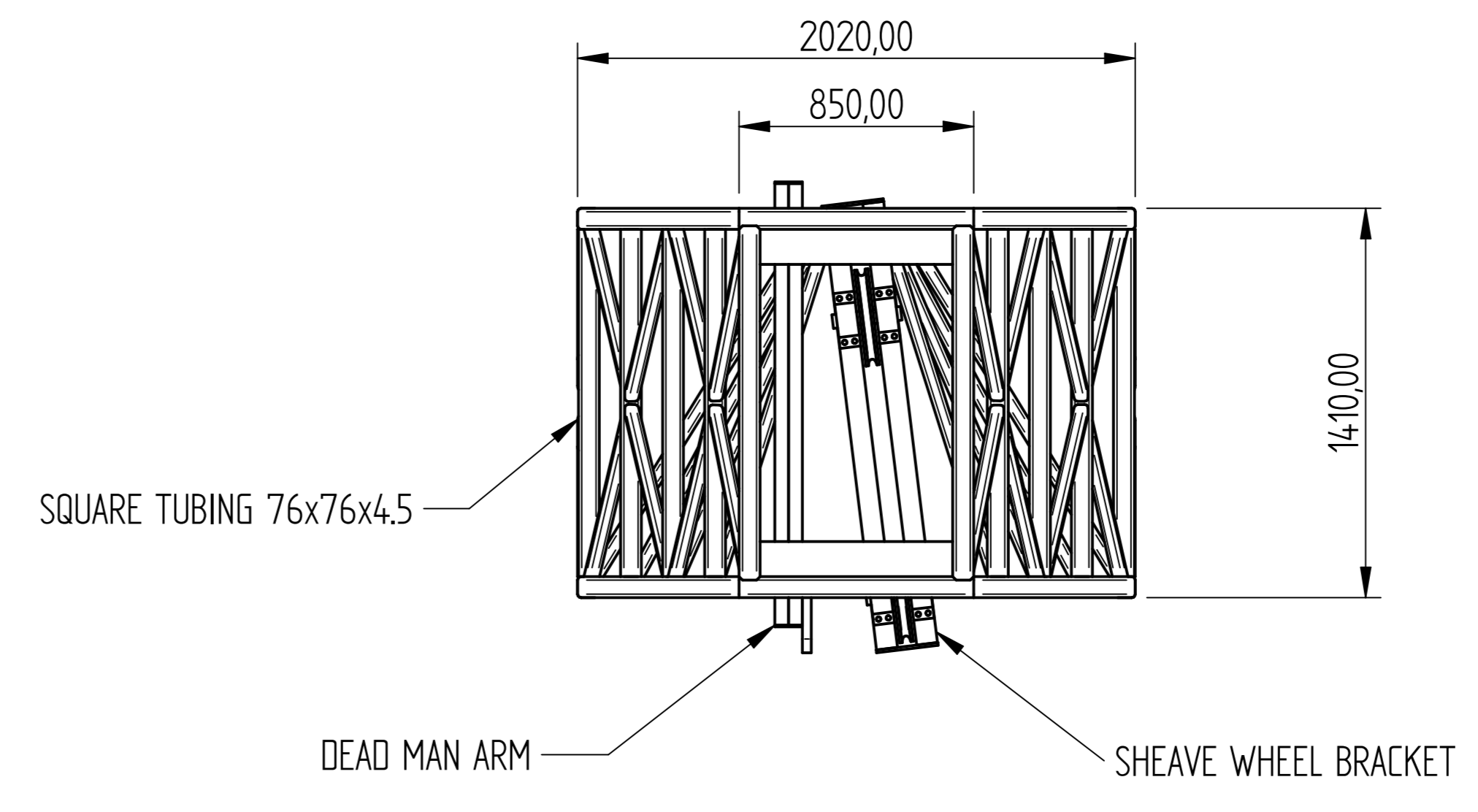
150.00



DEAD MAN ARM



SHEAVE WHEEL BRACKET



MATERIAL: SABS 1431 GRADE S355JR
ALL WELDING 10mm FILLET

NAME	DATE	EQUAL CHANCE TRADING 50	
DRAWN	DLG	05/14/11	TITLE
APPROVED			Derrick Frame 1440
MATERIAL			REV
TREATMENT			FILE NAME: Derrick Frame 1440.dwg
UNLESS OTHERWISE SPECIFIED		SCALE	WEIGHT
DIMENSIONS ARE IN MILLIMETERS		2 PL +0.02	3 PL +0.005
ANGLES ±0.1°		SHEET 2 OF 2	