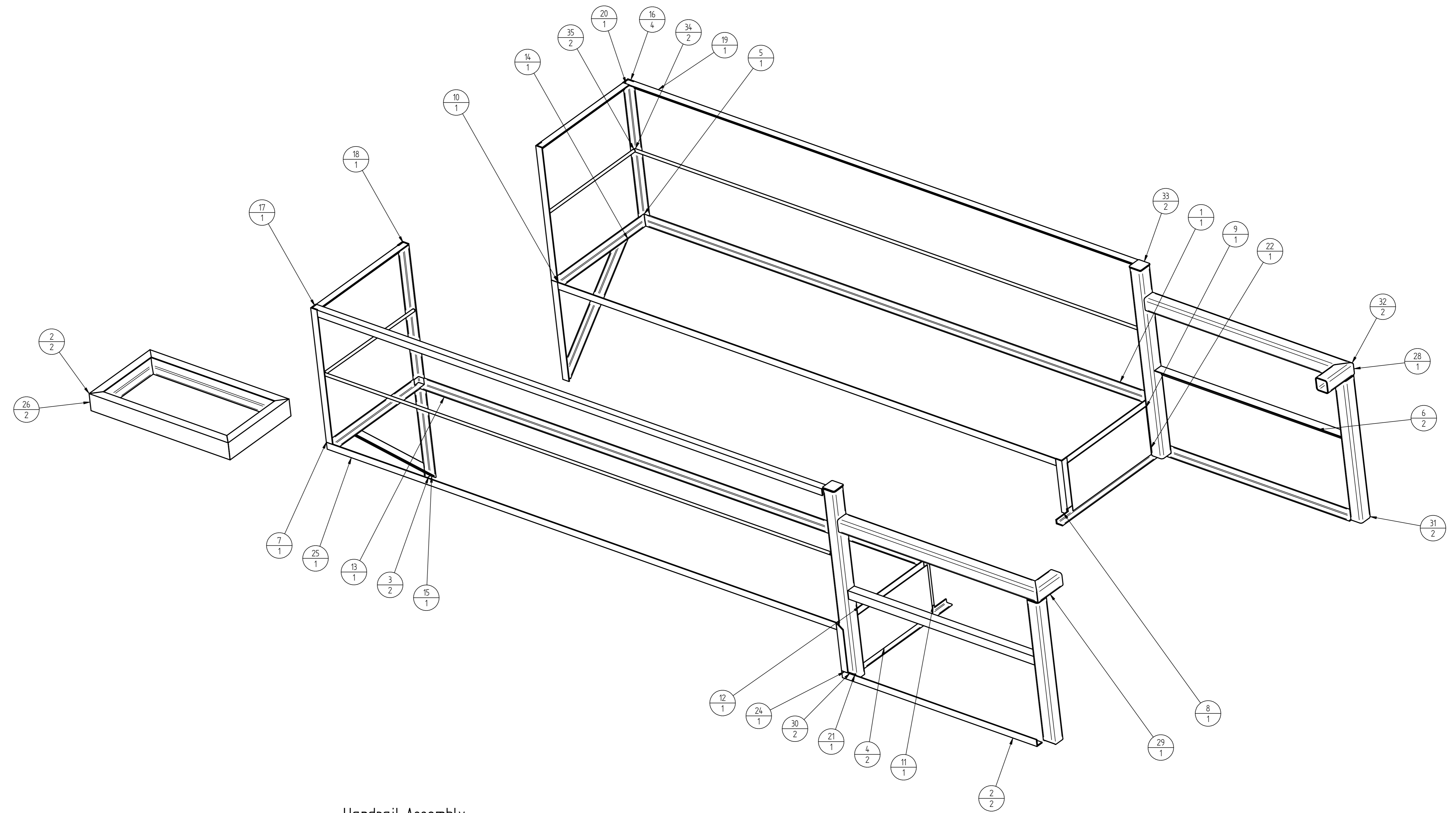
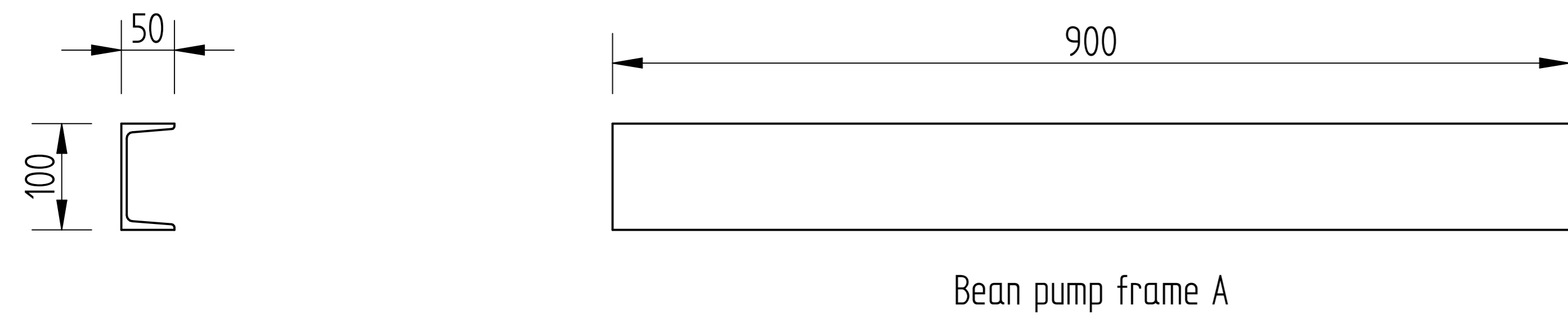


Item Number	Document Number	Title	Material	Quantity
1	1440-CH-003	Handrail post C	Steel	1
2	1440-CH-004	Handrail post B	Steel	2
3	1440-CH-005	Handrail post D	Steel	2
4	1440-CH-006	Handrail kickplate A	Steel	2
5	1440-CH-007	Handrail post E	Steel	1
6	1440-CH-008	Handrail rest R	Steel	2
7	1440-CH-009	Handrail post F	Steel	1
8	1440-CH-010	Handrail post G	Steel	1
9	1440-CH-011	Handrail rest B	Steel	1
10	1440-CH-012	Handrail rest C	Steel	1
11	1440-CH-013	Handrail kickplate B	Steel	1
12	1440-CH-014	Handrail rest D	Steel	1
13	1440-CH-015	Handrail rest E	Steel	1
14	1440-CH-016	Handrail rest F	Steel	1
15	1440-CH-017	Handrail rest G	Steel	1
16	1440-CH-018	Handrail rest H	Steel	4
17	1440-CH-019	Handrail rest I	Steel	1
18	1440-CH-020	Handrail rest J	Steel	1
19	1440-CH-021	Handrail rest K	Steel	1
20	1440-CH-022	Handrail rest L	Steel	1
21	1440-CH-023	Handrail rest M	Steel	1
22	1440-CH-024	Handrail rest N	Steel	1
23	1440-CH-025	Handrail rest O	Steel	1
24	1440-CH-026	Handrail rest P	Steel	1
25	1440-CH-027	Handrail rest Q	Steel	1
26	1440-CH-028	Bean pump frame A	Steel	2
27	1440-CH-029	Bean pump frame B	Steel	2
28	1440-CH-030	Handrail rest A	Steel	1
29	1440-CH-031	Handrail rest B	Steel	1
30	1440-CH-032	Handrail post A	Steel	2
31	1440-CH-033	Handrail post B	Steel	2
32	1440-CH-034	Handrail post C	Steel	2
33	1440-CH-035	Derrick support end plate B		2
34	1440-CH-035	Handrail middel A		2
35	1440-CH-036	Handrail middel B		2

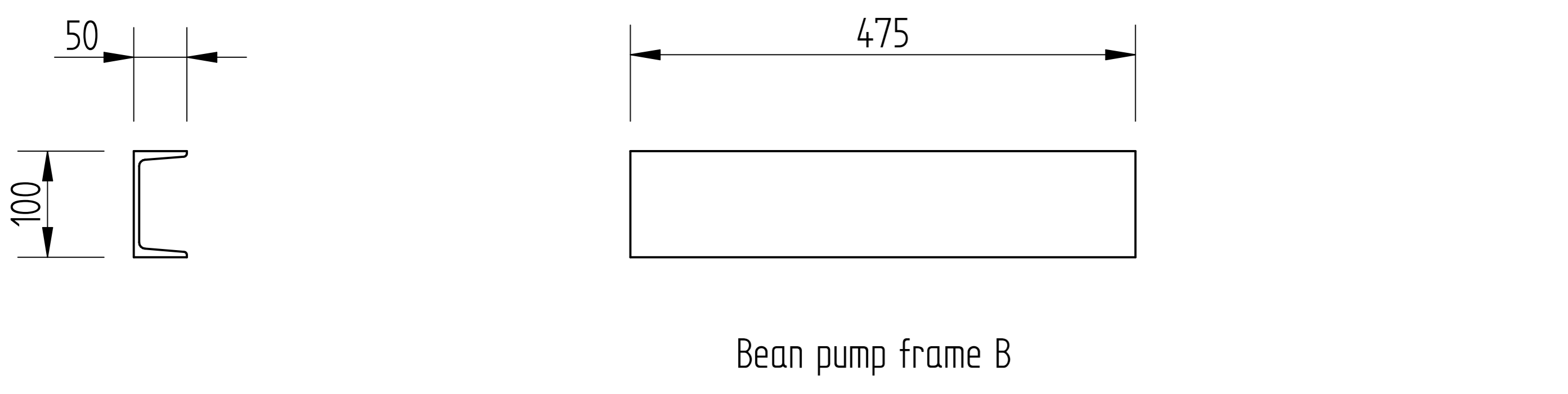


Handrail Assembly
1440-CH-000

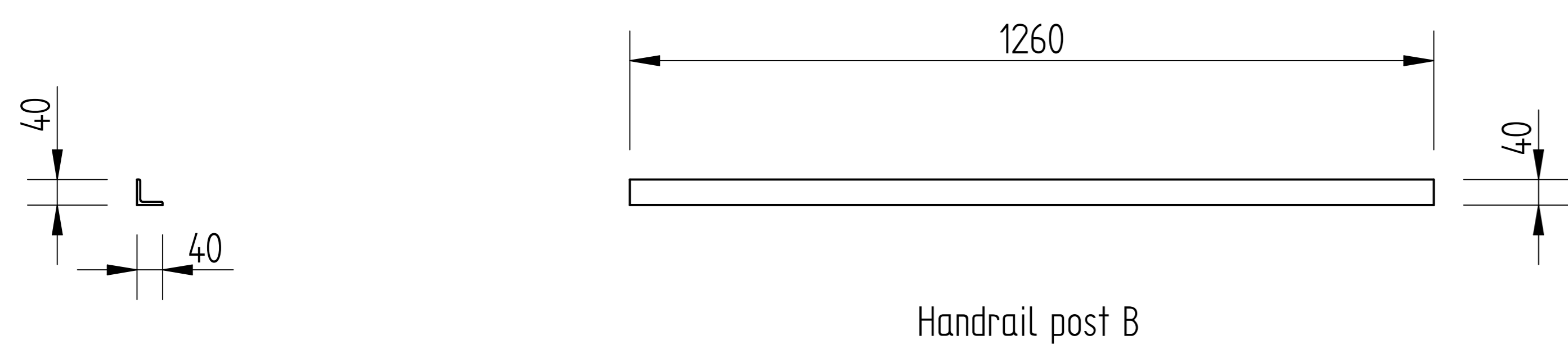
NAME	DATE	TITLE	REV
DRAWN: Owner	01/28/10	EQUAL CHANCE TRADING 50	
CHECKED:			
ENG APPR:			
MGR APPR:			
UNLESS OTHERWISE SPECIFIED: DIMENSIONS ARE IN MILLIMETERS		SIZE: DWG NO A2	REV
ANGLES = 0.1°		FILE NAME: Handrail 1440.dwg	
2 PL = 0.02	3 PL = 0.005	SCALE	WEIGHT
		SHEET 1 OF 3	



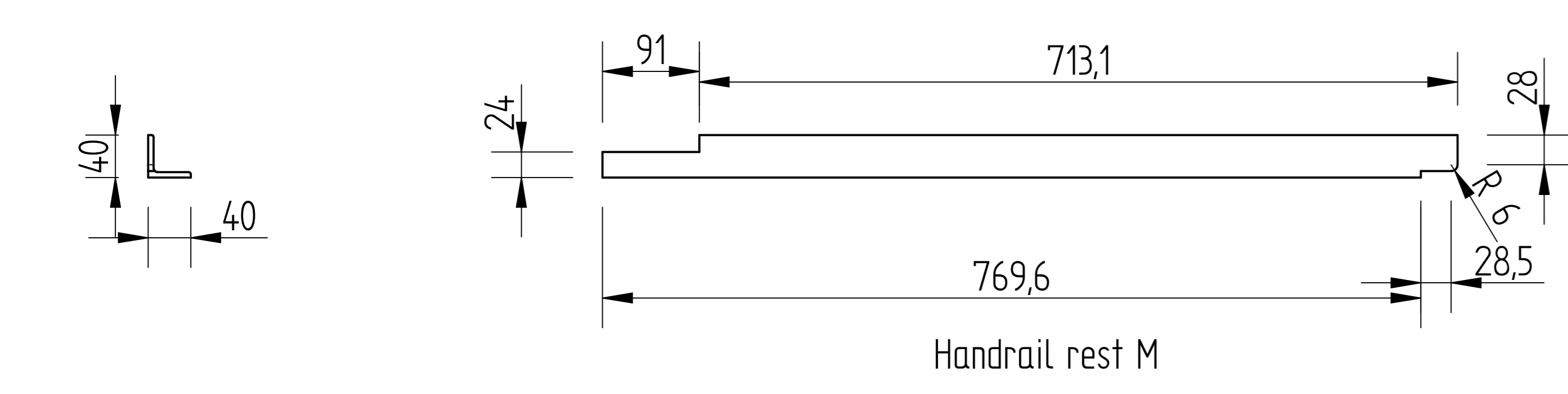
Bean pump frame A



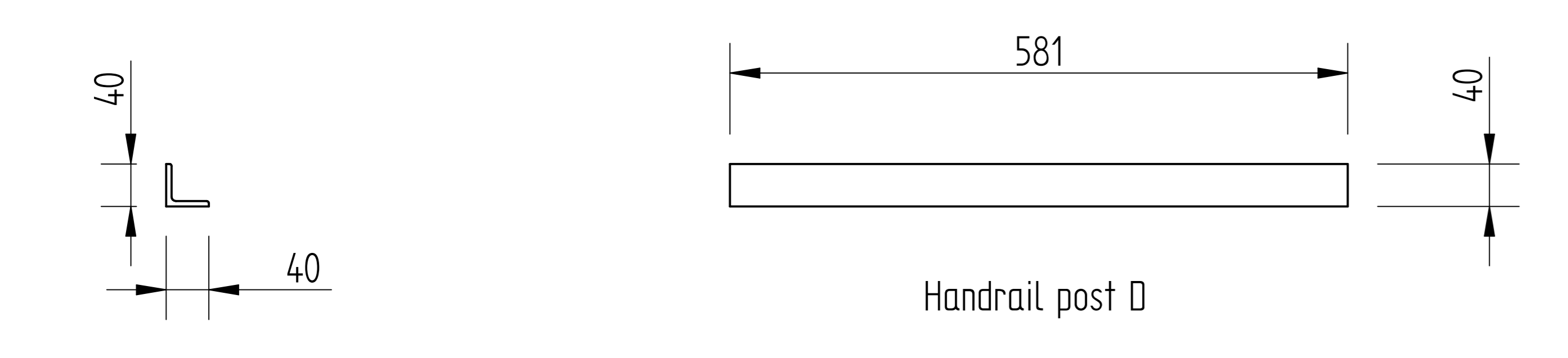
Bean pump frame B



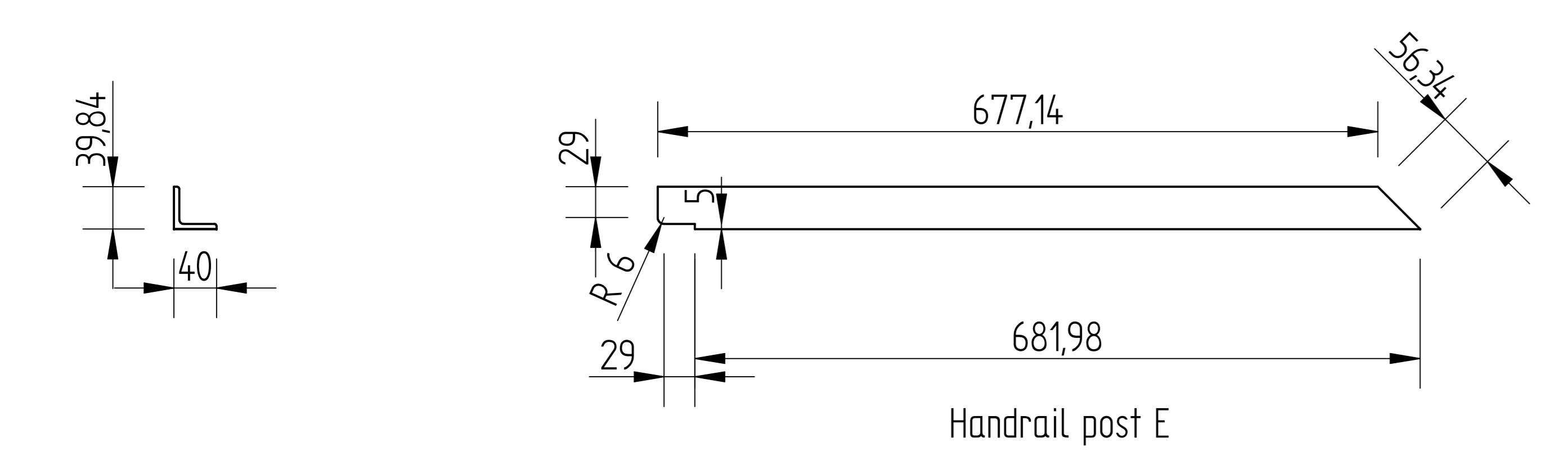
Handrail post B



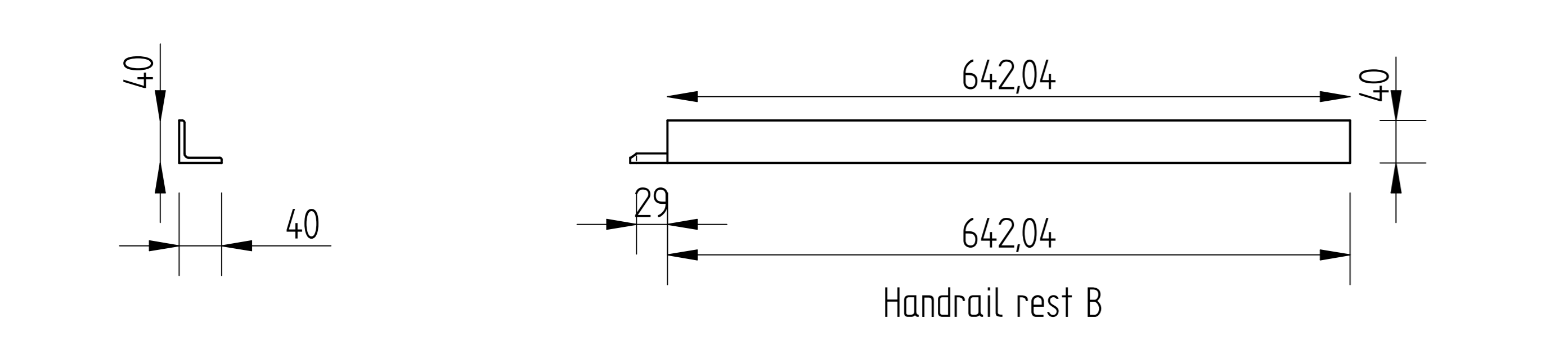
Handrail rest M



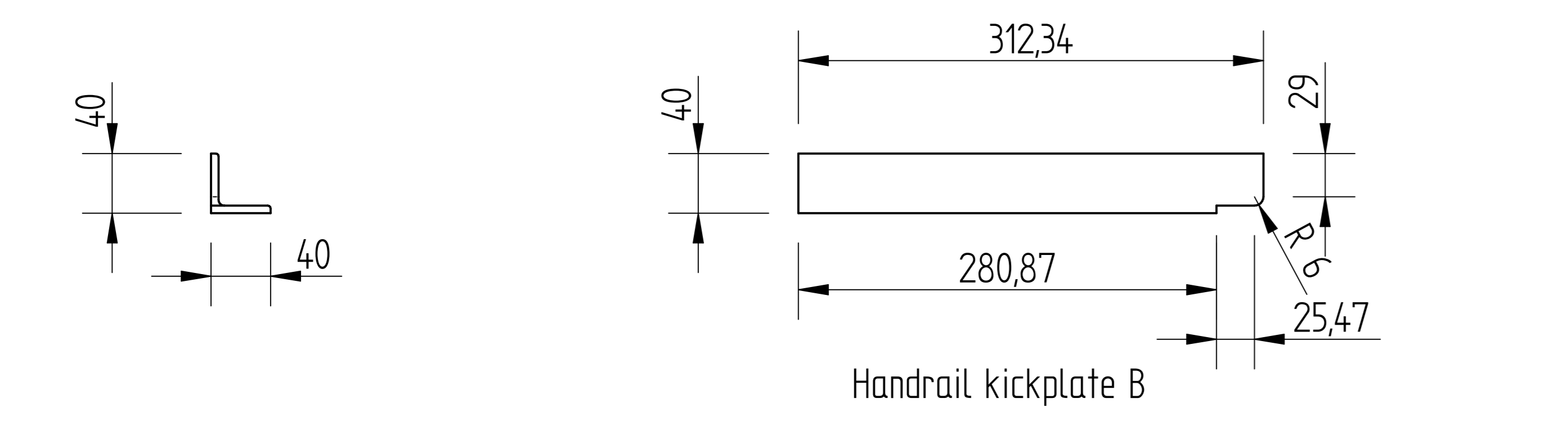
Handrail post D



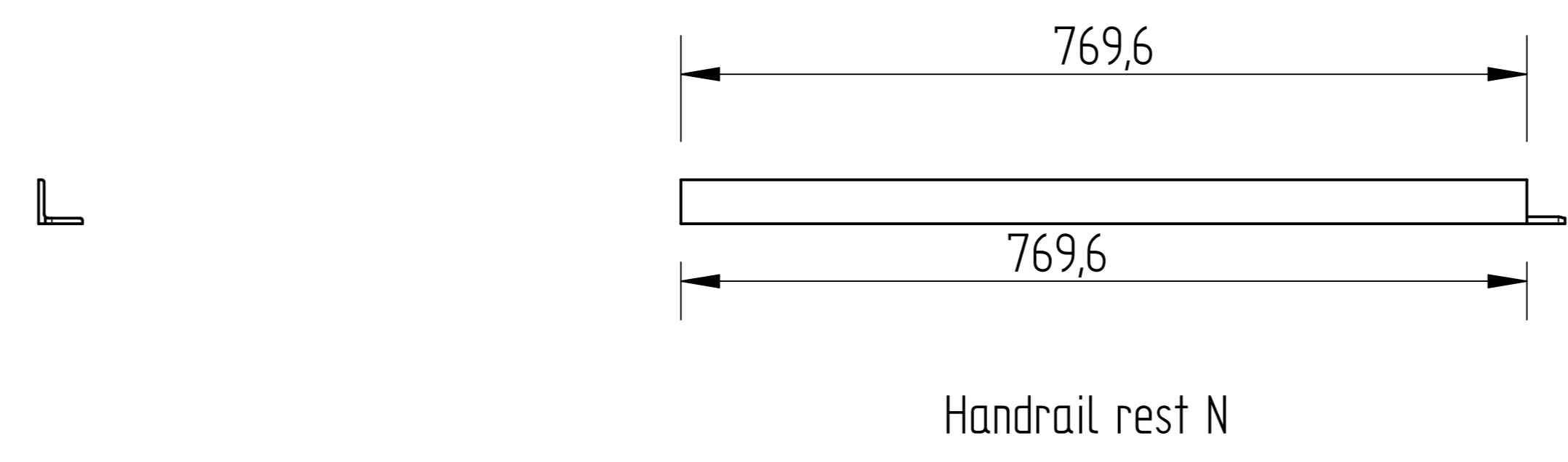
Handrail post E



Handrail rest B



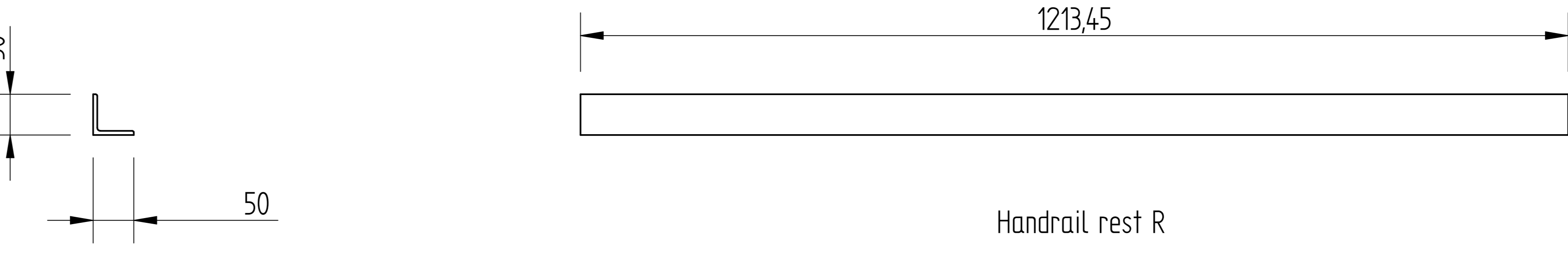
Handrail kickplate B



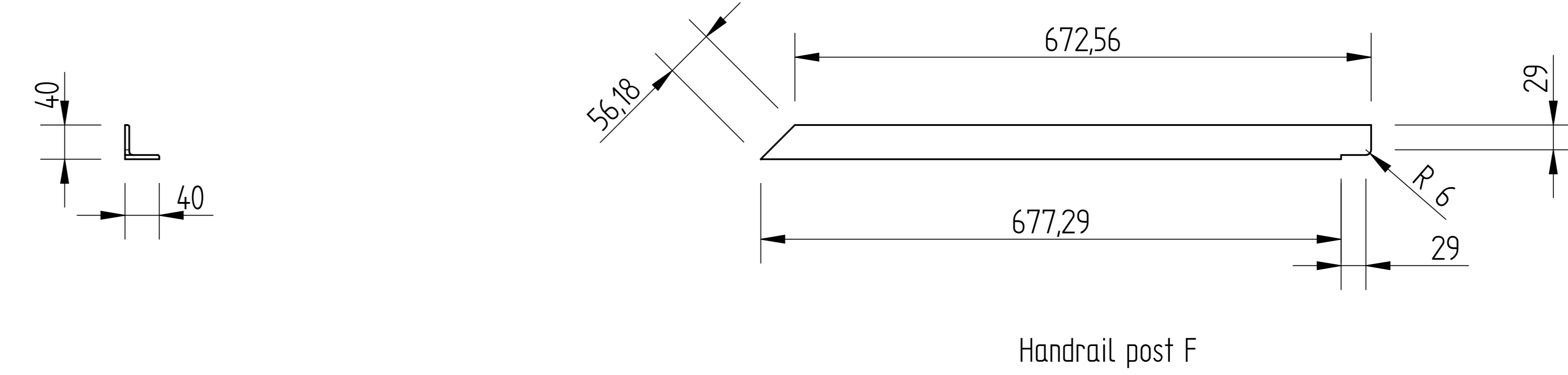
Handrail rest N



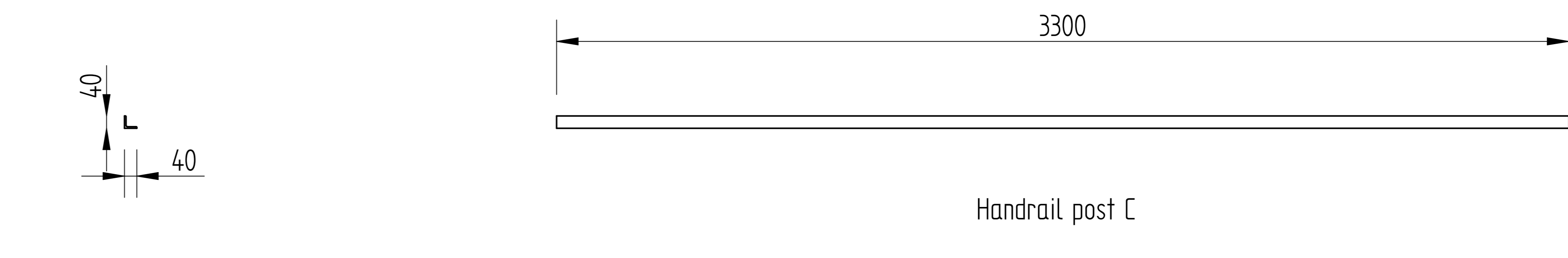
Handrail rest P



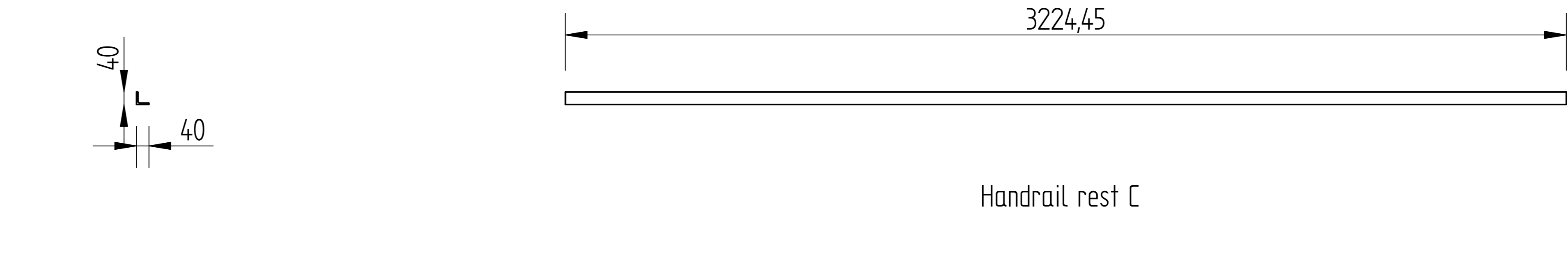
Handrail rest R



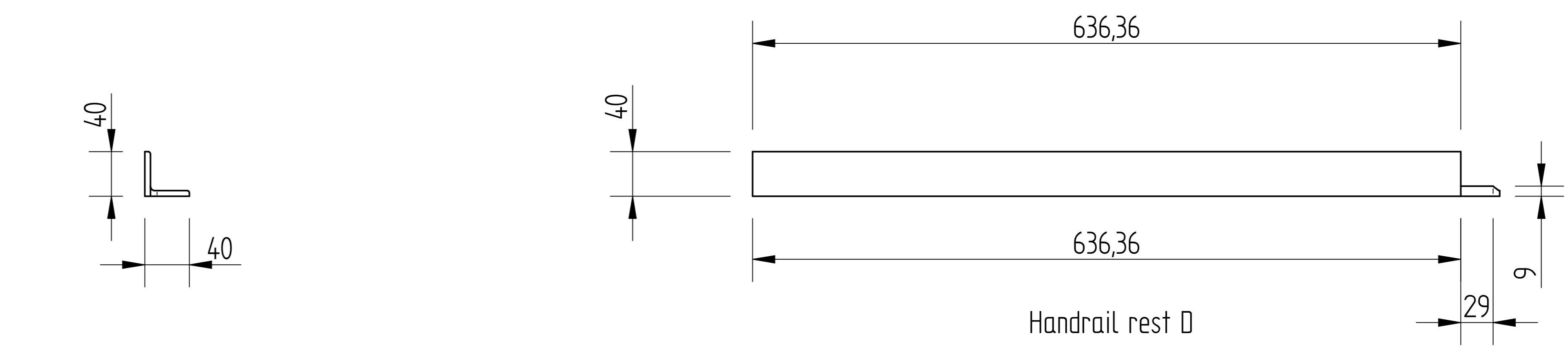
Handrail post F



Handrail post C

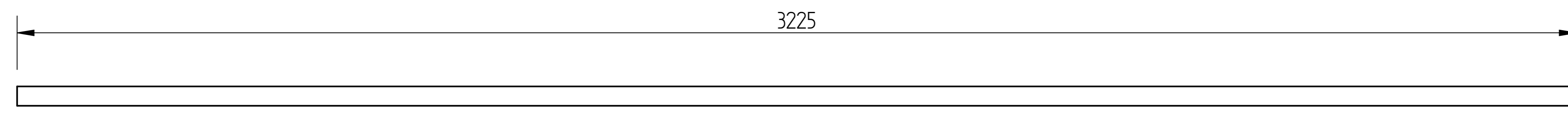
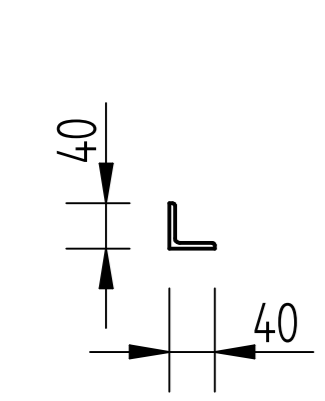


Handrail rest C

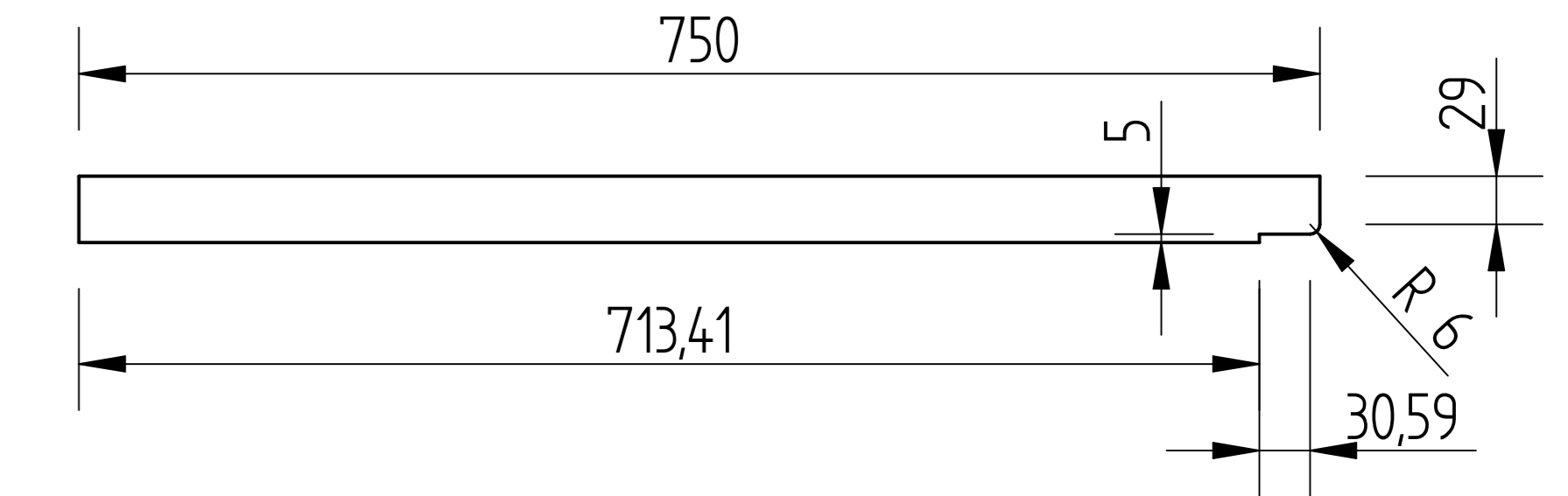
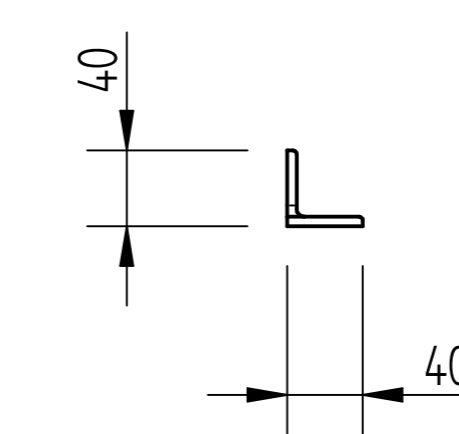


Handrail rest D

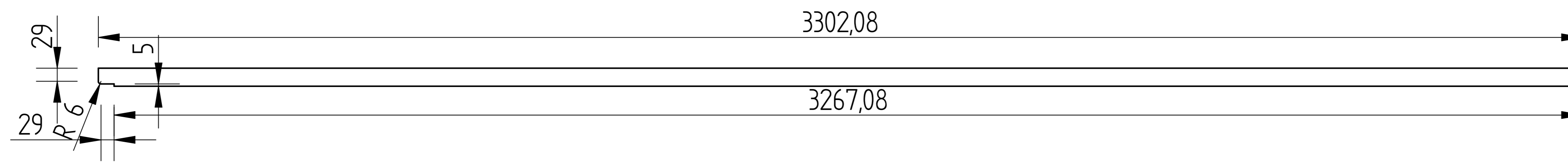
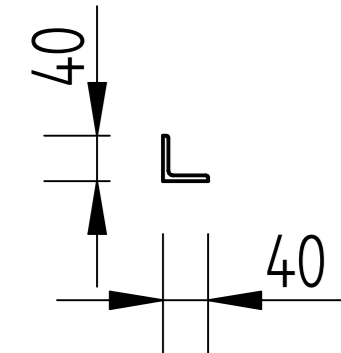
NAME	DATE	EQUAL CHANCE TRADING 50	
DRAWN: Owner	01/28/19	TITLE	REV
CHECKED:		SIZE: A2	
ENG APPR:		FILE NAME: Handrail 1440.dwg	
MGR APPR:		SCALE: 1:1	SHEET 2 OF 3
UNLESS OTHERWISE SPECIFIED DIMENSIONS ARE IN MILLIMETERS		2 PL: ±0.02	3 PL: ±0.005



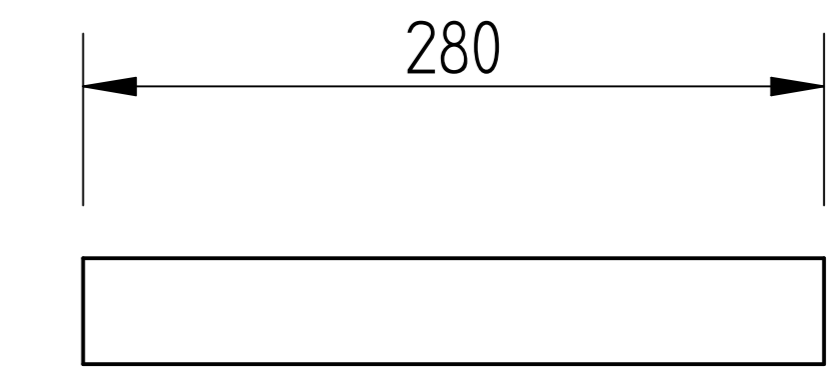
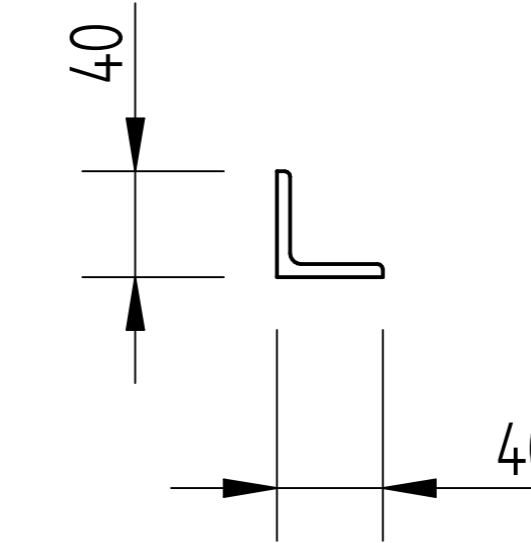
Handrail rest E



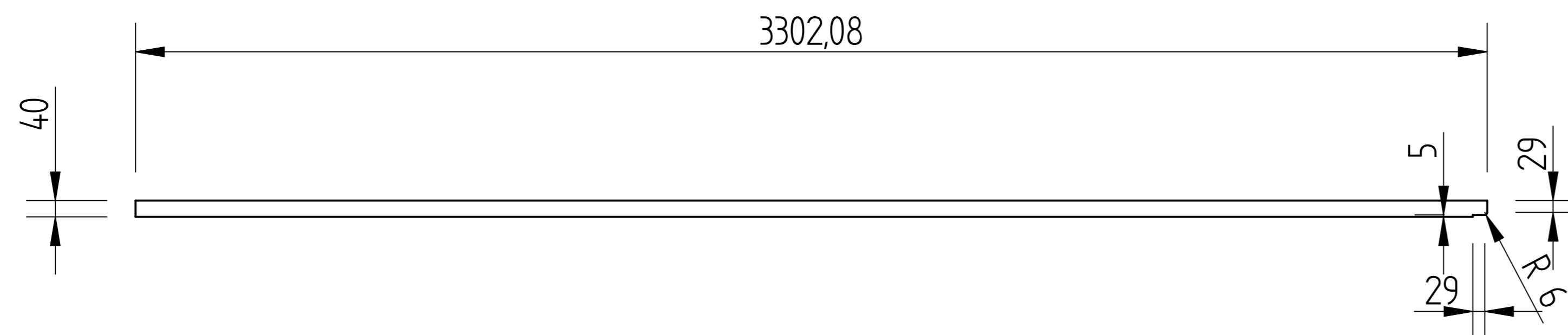
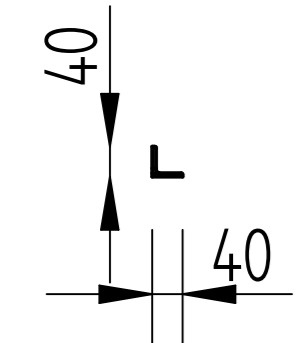
Handrail rest G



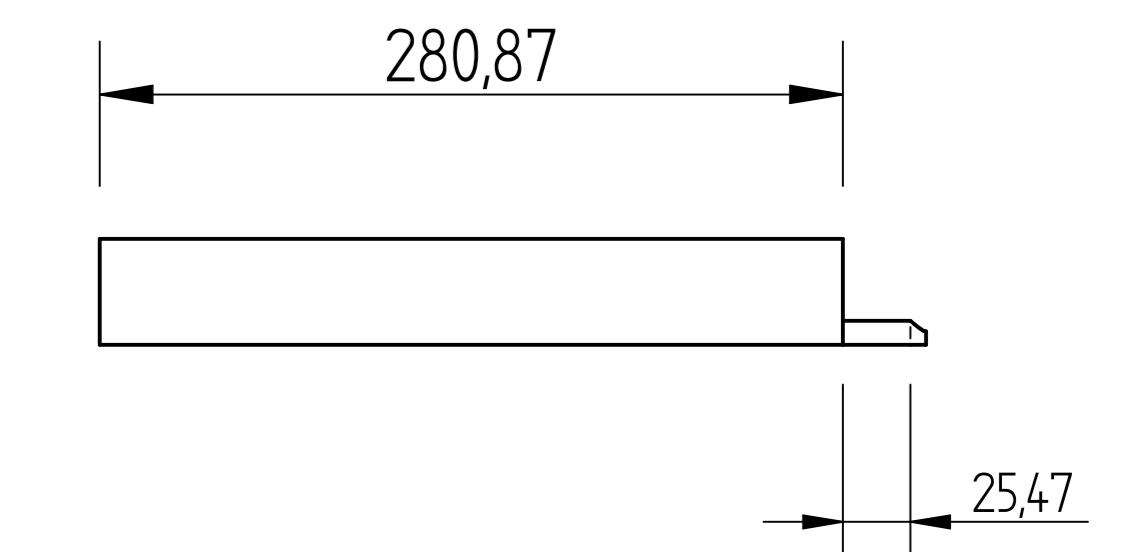
Handrail rest I



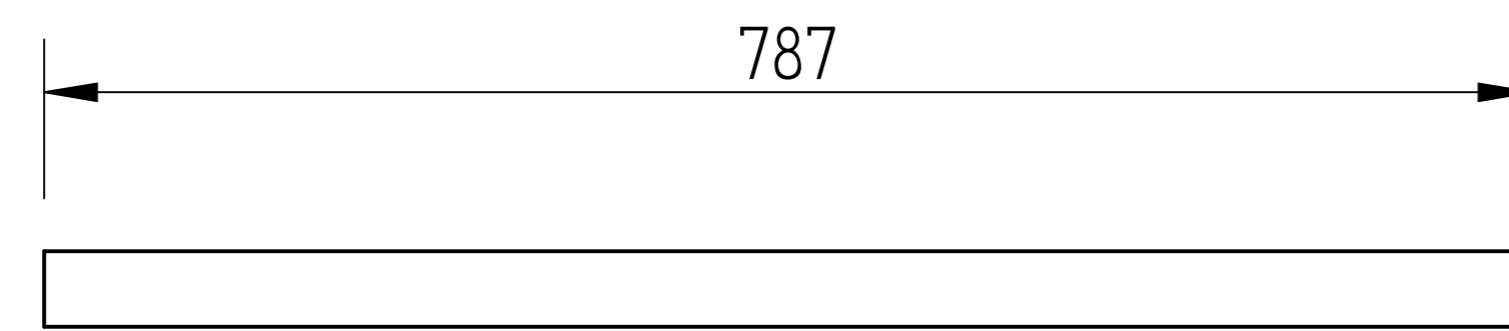
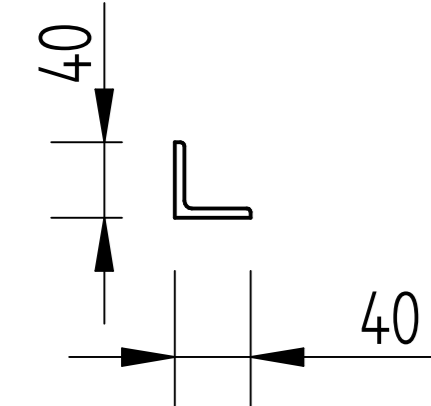
Handrail rest O



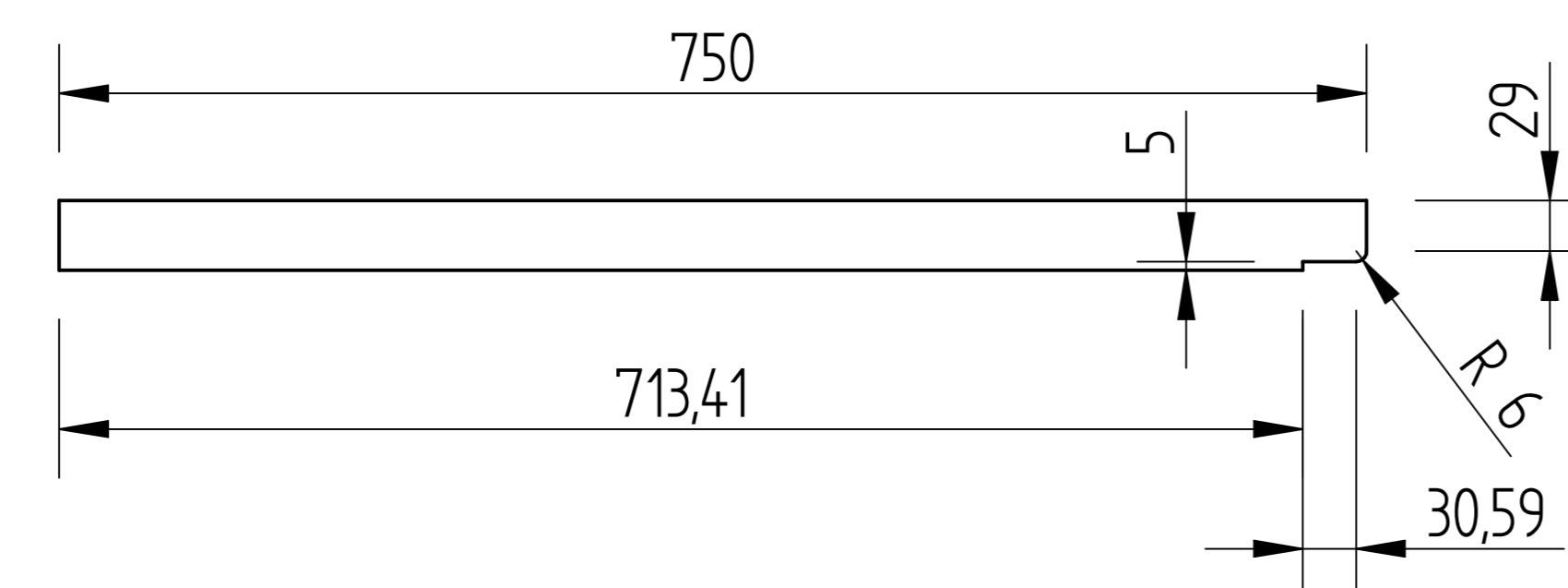
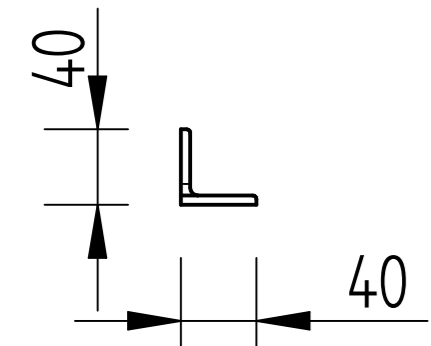
Handrail rest K



Handrail post G



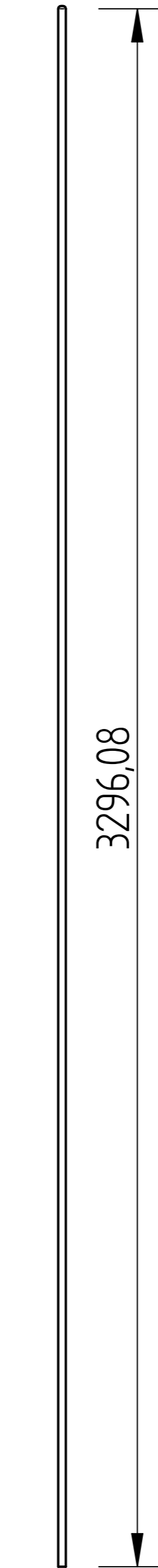
Handrail rest H



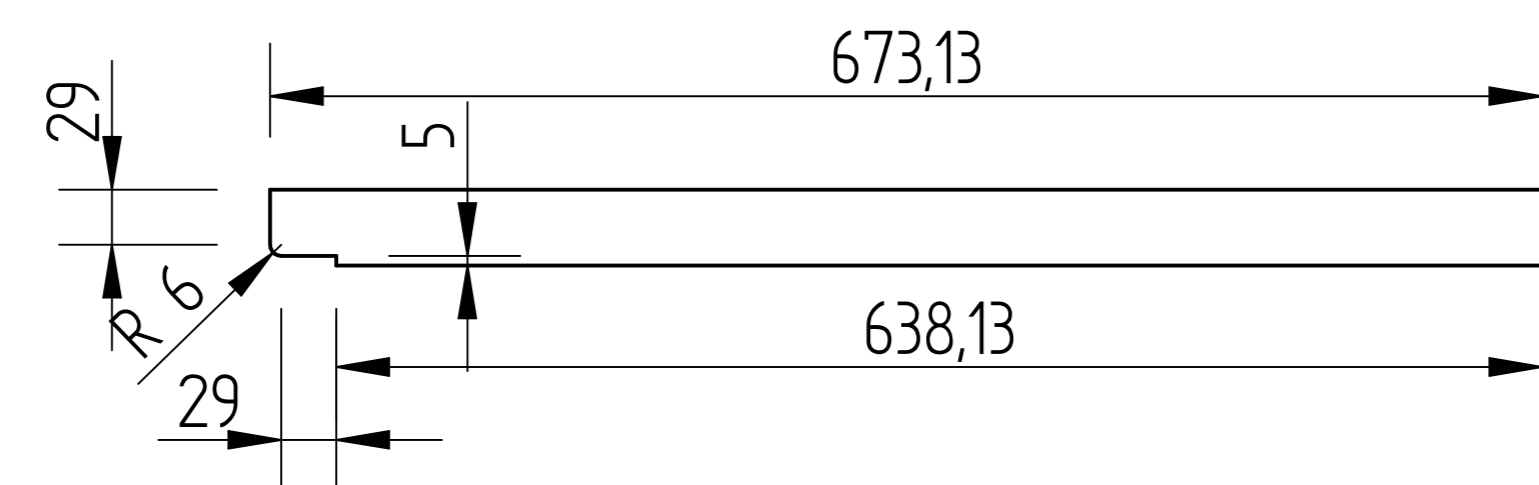
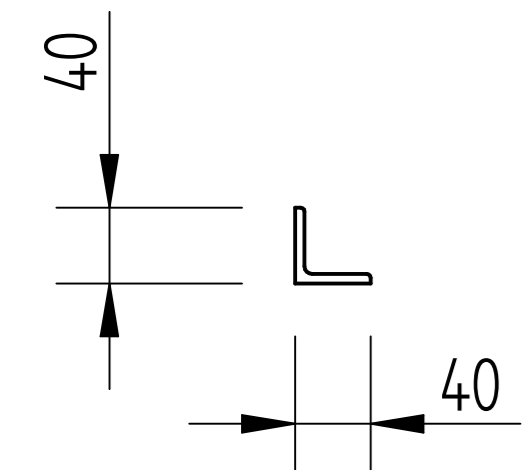
Handrail rest G



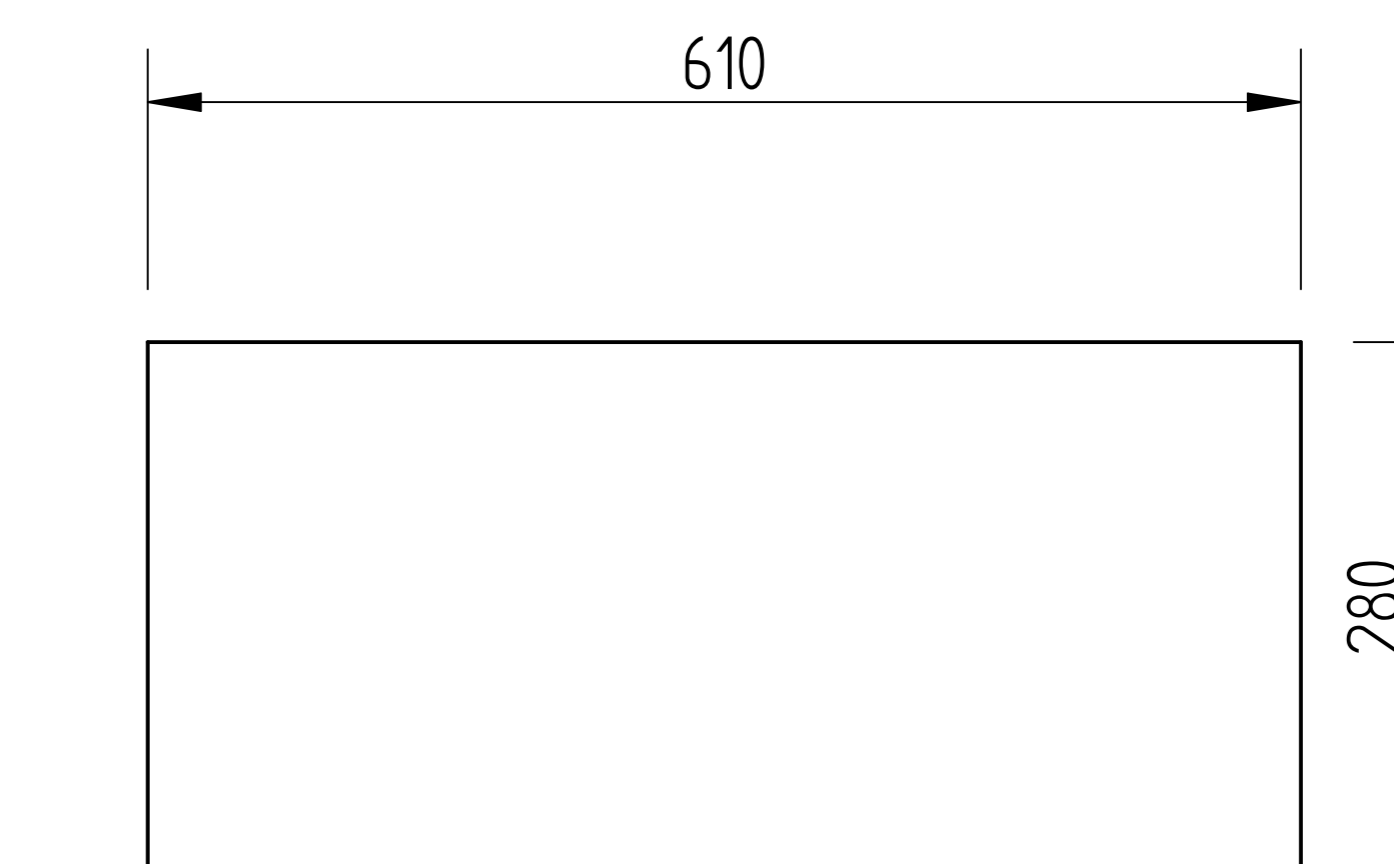
Handrail middel B



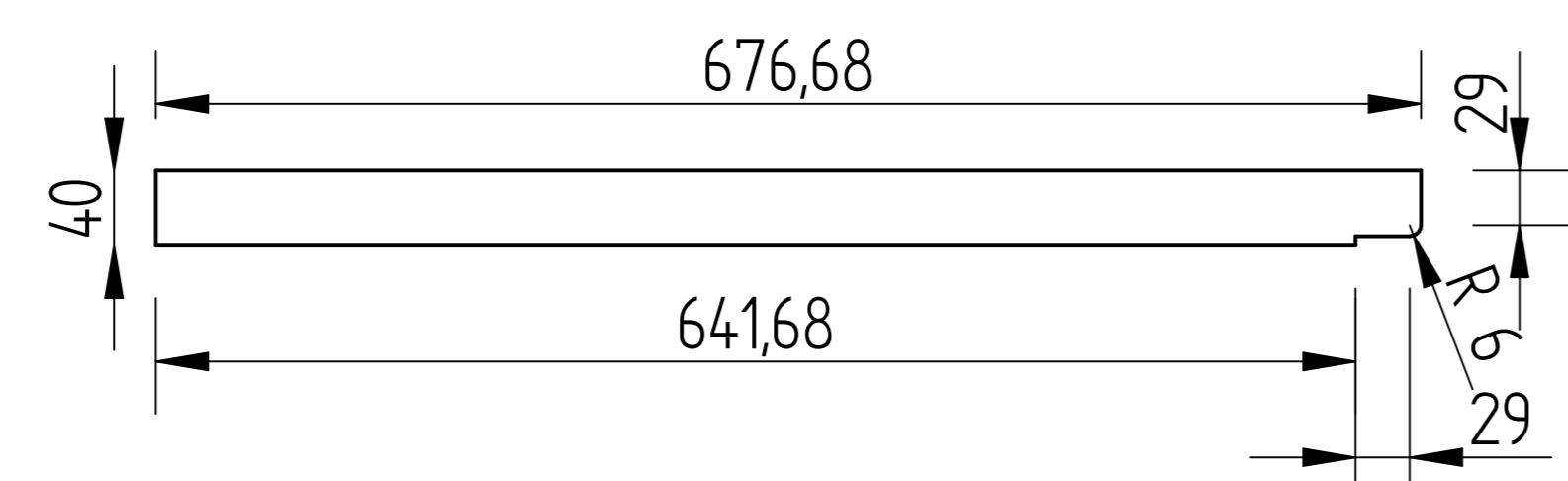
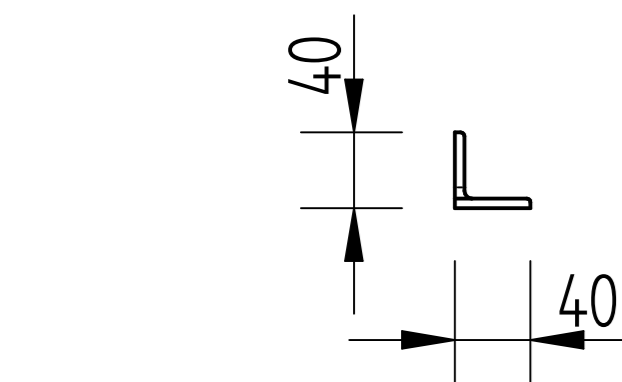
Handrail middel A



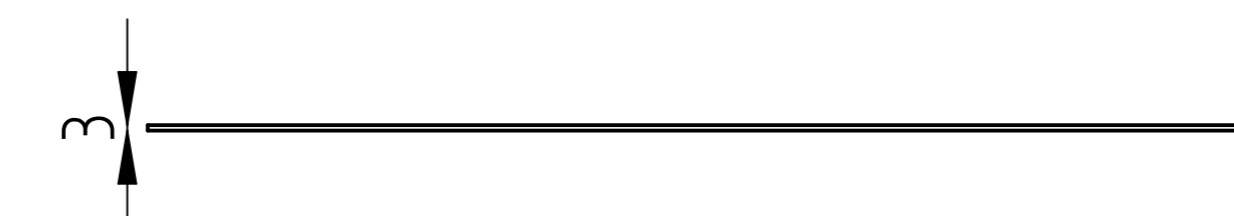
Handrail rest J



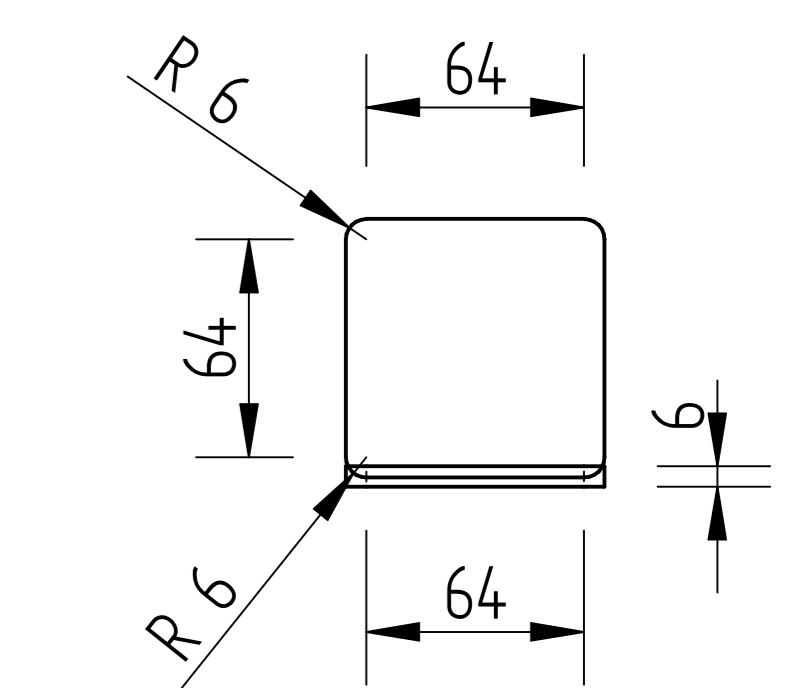
Derrick support end plate B



Handrail rest L



Handrail kickplate A



NAME	DATE	EQUAL CHANCE TRADING 50	
DRAWN: Owner	01/28/13	TITLE	
CHECKED:		SIZE: DWG NO	REV
ENG APPR:		A2	
MGR APPR:		FILE NAME: Handrail 1440.dwg	
UNLESS OTHERWISE SPECIFIED		SCALE	WEIGHT
DIMENSIONS ARE IN MILLIMETERS			SHEET 3 OF 3
ANGLES = 90°			
2 PL = ±0.02 3 PL = ±0.005			